

SRSmith®

STARTING BLOCKS



Pool **Better**™

Starting Blocks

Win At the Start

Whether you are running an elite swimming program or teaching beginning competitive swimmers, S.R.Smith has a starting block for your facility. Our elite Velocity series comes in single and dual post models, both of which feature a FINA approved, adjustable track start wedge.

Blocks for Everyone

Every aquatic facility has different requirements, which is why we've developed options to accommodate a variety of pool designs. Long reach platforms are ideal for pools with wide gutter configurations, or pools with a lot of electrical timing equipment on the deck. Side mount platforms are ideal for narrow bulkheads or decks where space is particularly limited. We also have low profile models that are well-suited to facilities that cater to new or young competitors.



RockSolid® Anchor

RockSolid® Anchor

The secret to stability is our patented RockSolid® anchor, (U.S. Patent #8033077), an essential starting block component ensuring reliable, solid starts. Available for most S.R.Smith single or dual post models, this innovative, expandable wedge assembly exerts continuous, even pressure on platform posts to eliminate starting block movement or wobble.

Show Your Colors

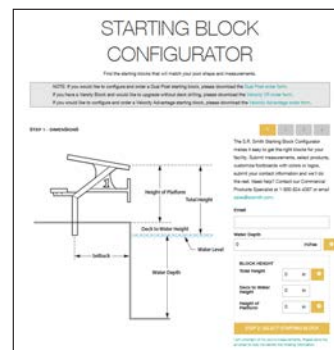
Our platforms are available in four standard powder-coated frame colors with custom frame colors available. Most footboards and steps come with white Sand Tread, with an option to upgrade with custom colors and logos. The new Velocity series is available with TrueTread®, an innovative footboard surface that provides a resilient, anti-slip footing. Many models are available with side or back mounting steps, with a long reach styles and a variety of backstroke start handle designs.



Quoting and Specifying Made Easy

S.R.Smith engineering specifications, Revit, and AutoCAD files are simple to add to facility designs and bid proposals available online at srsmith.com/specifiercentral.

Use our online Build-A-Block configurator to help you determine which S.R.Smith starting platform is right for your pool. This document can be given to your channel partner to aid them in producing a quote. Visit srsmith.com/configurators.



Starting Blocks

CONTENTS

- Overview 2
- Starting Blocks 4
- Accessories 18

S.R.Smith Starting Blocks At-A-Glance

S.R.Smith offers a wide range of starting block styles; many can be customized to a specific setback range, height and color.



| FEATURES & PRODUCTS | VELOCITY SINGLE OR DUAL POST | VELOCITY ADVANTAGE | VELOCITY VR | LEGACY SERIES | LEGACY II |
|--------------------------------------|------------------------------|--------------------|-------------|---------------|-----------|
| Track Start Wedge | ● | ● | ● | | |
| Single & Dual Post Models | ● | | | ● | |
| Customizable Setback & Height Ranges | ● | | | ● | |
| Side Handle Option | ● | | ● | ● | |
| Patented RockSolid® Anchor | ● | | | ● | ● |
| Four Backstroke Handle Options | ● | | ● | ● | |
| SolidStart Grip | ● | ● | ● | ● | |
| Custom Tread Color | ● | ● | ● | ● | |
| TrueTread® | ● | ● | ● | | |
| Custom Logo | ● | ● | ● | ● | |
| Custom Frame Color | ● | ● | ● | ● | |
| Meets All Major Swimming Regulations | ● | ● | ● | ● | ● |

*No custom logos on Velocity with TrueTread™

Show Off Your Colors

Most of our platforms frames are available in four powder-coated colors. We also offer customization options for facilities that want to show off their team spirit with logos or custom colors on the footboard and frame. Velocity blocks also have the option of the unique TrueTread™ surface.

STANDARD FRAME COLORS



Block shown with custom color on frame with logo on footboard and back of trackstart wedge

Velocity Single Post Starting Blocks



Can be ordered without the track start wedge, but can be added later.

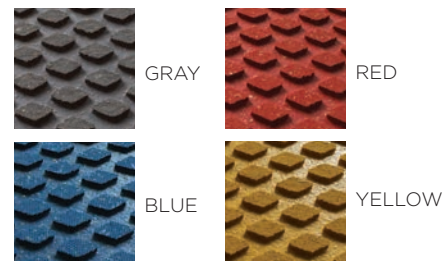
The fiberglass footboard has outstanding strength as well as a sleek, uniform, hi-tech appearance. The powder-coated, stainless steel frame is secured to the pool deck with a patented RockSolid® anchor to eliminate platform movement.

- Available with TrueTread® or Sand Tread
- Colorado & Daktronics timing systems compatible
- Track start wedge (5 positions) easily tucks under footboard
- Optional side handles (additional charge)
- Patented RockSolid® anchoring system (NOT INCLUDED)
- Retrofitable onto existing S.R.Smith Legacy frames
- Custom colors and logos available on Sand Tread footboards
- Meets FINA, NCAA, NFSHSA, USMS, USAS competition pool rules and guidelines

| VELOCITY SINGLE POST WITH TRACK START | | VELOCITY SINGLE POST WITHOUT TRACK START | |
|---------------------------------------|------------------------|--|------------------------|
| Part # | Description | Part # | Description |
| TrueTread Models | | TrueTread Models | |
| VELO-TS-TA | Standard Single Post | VELO-TA | Standard Single Post |
| VELOSM-TS-TA | Side Mount Single Post | VELOSM-TA | Side Mount Single Post |
| VELOMR-TS-TA | Mid-Range Single Post | VELOMR-TA | Mid-Range Single Post |
| VELOLR-TS-TA | Long Reach Single Post | VELOLR-TA | Long Reach Single Post |
| Sand Tread Models | | Sand Tread Models | |
| VELO-TS-SA | Standard Single Post | VELO-SA | Standard Single Post |
| VELOSM-TS-SA | Side Mount Single Post | VELOSM-SA | Side Mount Single Post |
| VELOMR-TS-SA | Mid-Range Single Post | VELOMR-SA | Mid-Range Single Post |
| VELOLR-TS-SA | Long Reach Single Post | VELOLR-SA | Long Reach Single Post |

TrueTread® Colors

Provides a resilient, anti-slip footing



Sand Tread Colors



Custom colors and logo available for an additional charge

Setback Ranges

| Product | Setback* Range | Footboard Dimensions |
|--------------------------------|----------------|----------------------|
| Velocity Standard & Side Mount | 21" to 26" | 28" x 32" |
| Velocity Mid-Range | 27" to 32" | 28" x 32" |
| Velocity Long Reach | 33" to 40" | 28" x 32" |

*Setback is to center of the anchor

Components/Accessories

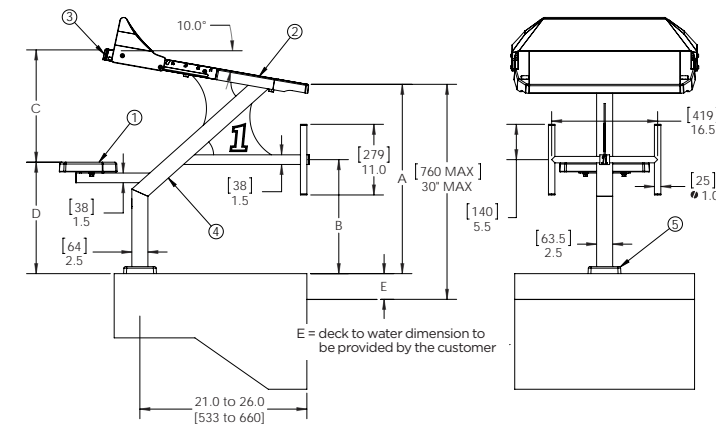
- 8-620TS-T TrueTread footboard & track start
- 8-620TS-S Sand Tread footboard & track start
- 8-620-T TrueTread footboard w/o track start
- 8-620-S Sand Tread footboard w/o track start
- 4-620TS-T TrueTread track start upgrade kit
- 4-620TS-S Sand Tread track start upgrade
- 4-175A Side Handles
- BLCVR-1317-WHT Safety Cover, white
- 27-107 RockSolid® Anchor
- 20-191 Safety Cap for Anchor

Frame Colors

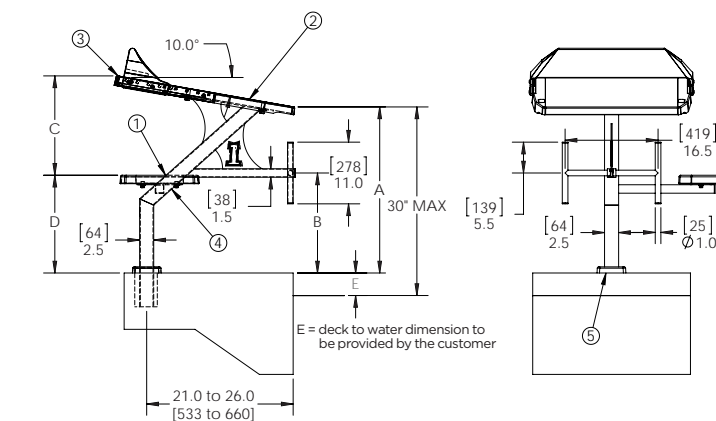


Due to printing technology actual color may differ

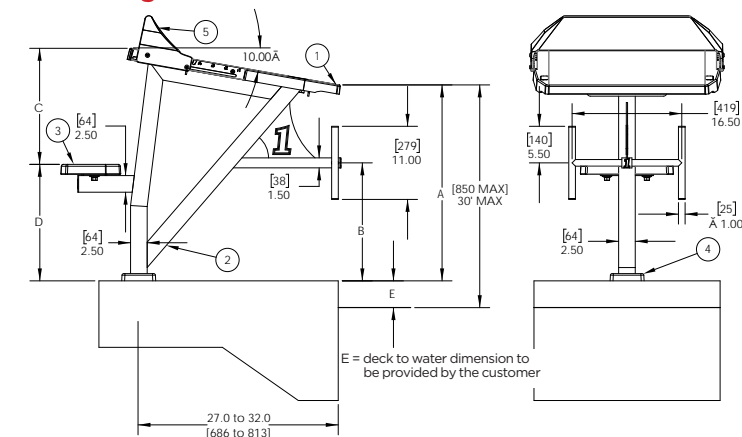
Standard



Side Mount



Mid-Range



Long Reach



For drawings & specifications please refer to srsmith.com/specifiercentral

Velocity Dual Post Starting Blocks

Velocity dual post starting blocks are ideal for elite, competitive aquatic facilities.

- Fiberglass footboard has outstanding strength and sleek, hi-tech appearance.
- Frames made from commercial grade, 1.90" stainless steel, powder-coated for additional protection
- Track start wedge (5 positions) easily tucks under footboard
- Available with TrueTread® or Sand Tread
- Patented RockSolid® anchoring system available (NOT INCLUDED)
- Custom colors and logos available on Sand Tread footboards
- Optional side handles available
- Colorado & Daktronics timing systems compatible
- Meets FINA, USA Swimming, NCAA, NFSH and USMS competition pool rules and guidelines



Velocity Dual Post Standard

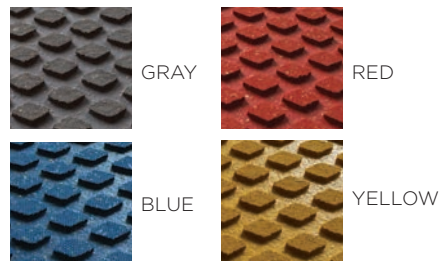


Velocity Dual Post Long Reach

Can be ordered without the track start wedge, but can be added later.

TrueTread® Colors

Provides a resilient, anti-slip footing



Sand Tread Colors



Custom colors and logo available for an additional charge

| VELOCITY DUAL POST WITH TRACK START | | VELOCITY DUAL POST WITHOUT TRACK START | |
|-------------------------------------|----------------------|--|----------------------|
| Part # | Description | Part # | Description |
| TrueTread Models | | TrueTread Models | |
| VELO-DP-TS-TA | Standard Dual Post | VELO-DP-TA | Standard Dual Post |
| VELOLR-DP-TS-TA | Long Reach Dual Post | VELOLR-DP-TA | Long Reach Dual Post |
| Sand Tread Models | | Sand Tread Models | |
| VELO-DP-TS-SA | Standard Dual Post | VELO-DP-SA | Standard Dual Post |
| VELOLR-DP-TS-SA | Long Reach Dual Post | VELOLR-DP-SA | Long Reach Dual Post |

- * RockSolid Anchor required with Long Reach models
- Various escutcheon styles available

Setback Ranges

| Product | Setback* Range | Footboard Dimensions |
|-------------------------------|----------------|----------------------|
| Velocity Dual Post Standard | 18" to 26" | 28" x 32" |
| Velocity Dual Post Long Reach | 27" to 36" | 28" x 32" |

*Setback is to center of the anchor

Accessories

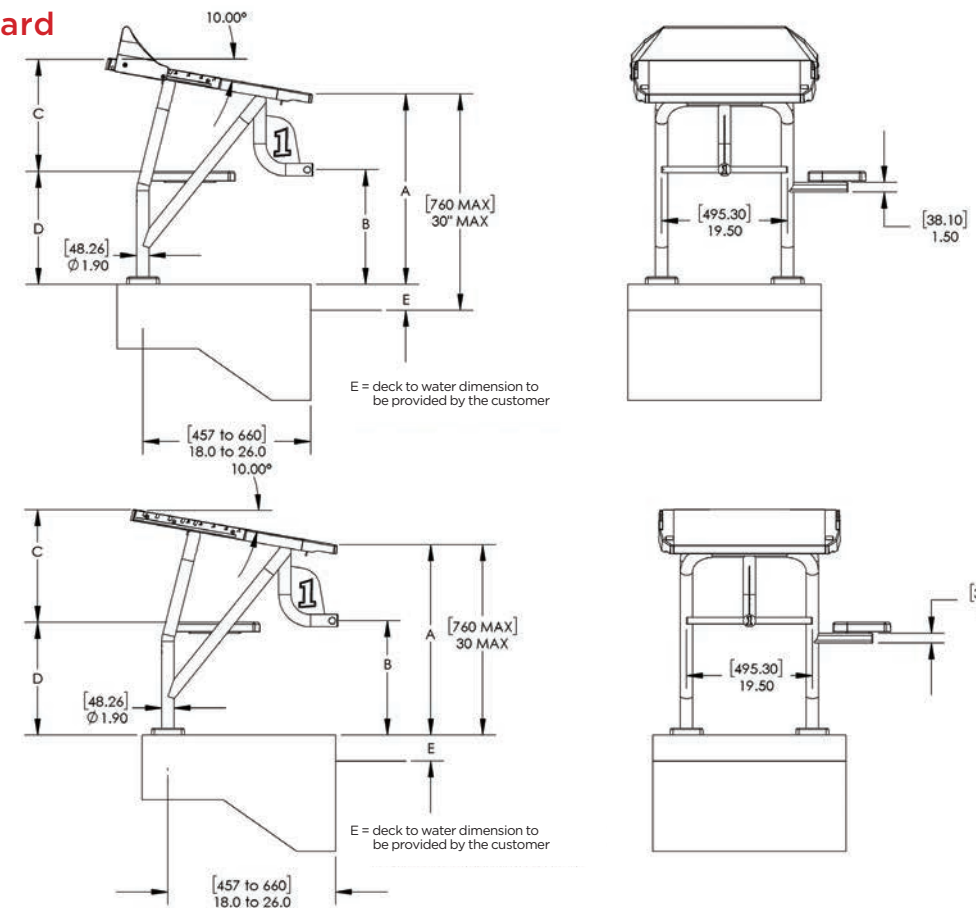
- 8-620TS-T TrueTread footboard & track start
- 8-620TS-S Sand Tread footboard & track start
- 8-620-T TrueTread footboard w/o track start
- 8-620-S Sand Tread footboard w/o track start
- 4-620TS-T TrueTread track start upgrade kit
- 4-620TS-S Sand Tread track start upgrade
- 4-175A Side Handles
- BLCVR-1317-WHT Safety Cover, white
- 27-107 RockSolid® Anchor
- 20-191 Safety Cap for Anchor

Frame Colors

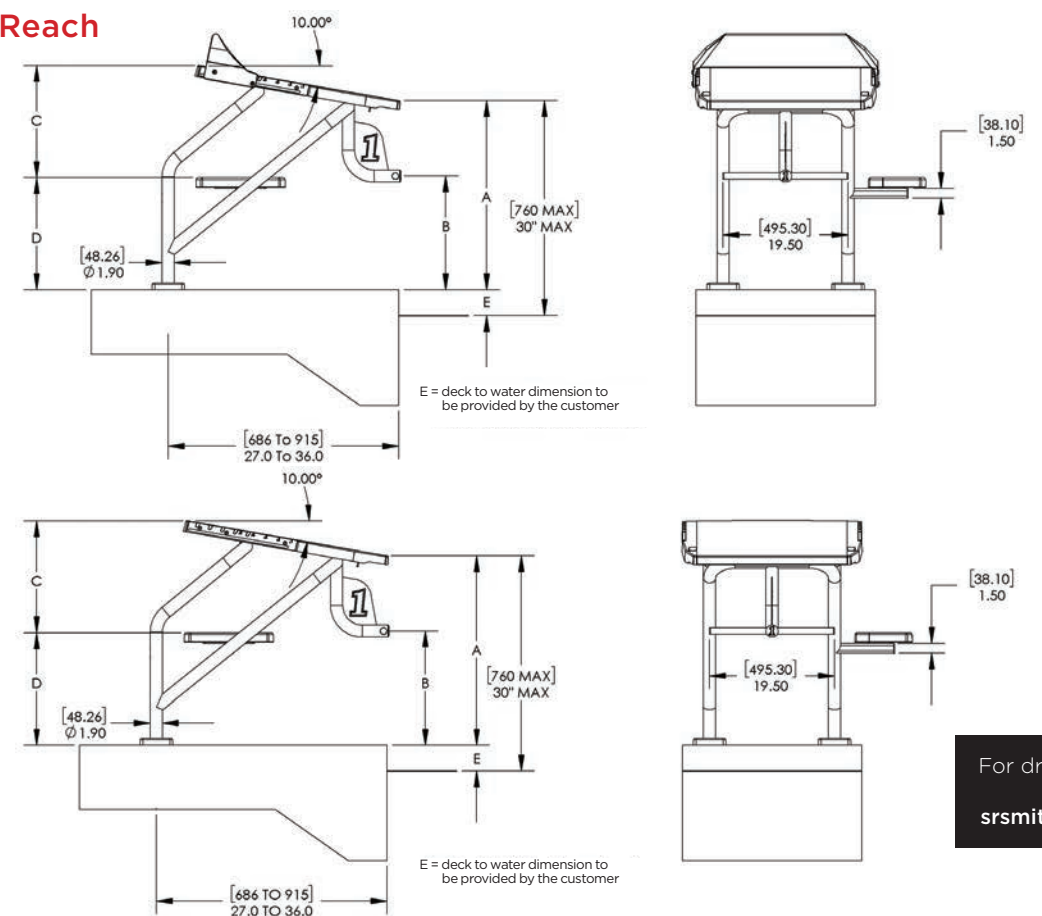


Due to printing technology actual color may differ

Standard



Long Reach



For drawings & specifications please refer to srsmith.com/specifiercentral



Velocity Advantage Starting Block

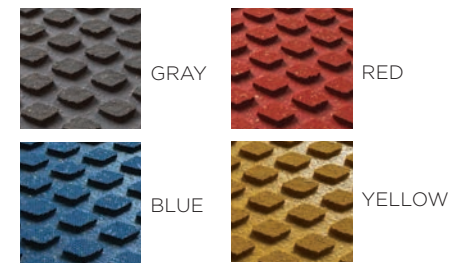


Velocity Advantage starting blocks feature strong fiberglass footboards with track start wedge on an HDPE composite base, particularly suitable for bulkheads.

- The marine grade HDPE composite base easily mounts to pool decks or bulkheads with minimal drilling
- 16" (41cm) height makes it well suited for bulkheads and end walls with 8" to 13.5" (20cm 42cm) deck to water heights
- The 28" x 32" (71cm x 81cm) footboard surface is available with TrueTread® or Sand Tread
- Track start wedge, adjustable to 5 positions, easily tucks under the footboard
- Patent pending integral backstroke start ledge is adjustable to five positions in accordance with FINA standards
- Three built in backstroke handholds - two center positions and one on each side
- Colorado & Daktronics timing system compatible
- Custom colors and logos available on Sand Tread footboards
- Meets FINA, NCAA, NFSHSA*, USMS and USAS competition pool rules and regulations

TrueTread® Colors

Provides a resilient, anti-slip footing



Sand Tread Colors



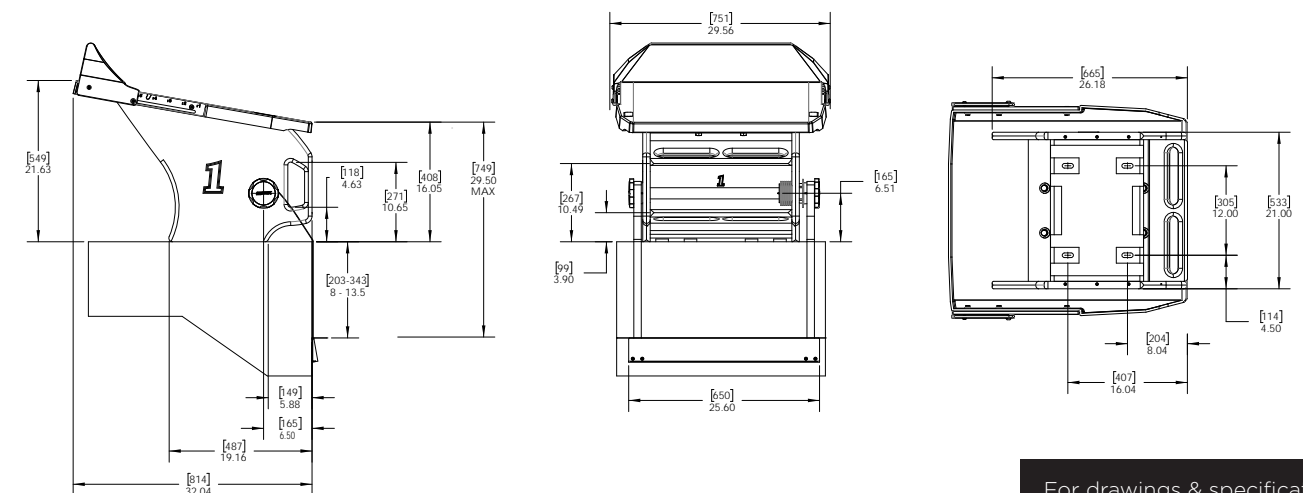
Custom colors and logo available for an additional charge

*NFSHSA rules do not allow use of backstroke ledge

| Part # | Description | Weight | SHIPPING (CLASS 150) | | |
|---------------|------------------------------------|----------------|----------------------|-------------|-------------|
| | | | Length | Width | Height |
| VELO-ADV-BK-T | Velocity Advantage with TrueTread™ | 117lbs 53kg | 37" 94cm | 34" 86cm | 28" 71cm |
| VELO-ADV-BK-S | Velocity Advantage with Sand Tread | 117lbs 53kg | 37" 94cm | 34" 86cm | 28" 71cm |

Accessories

- BLCVR-1317-WHT Pyramid-Shaped Safety Cover
- BLCVR VELO-WHT Full Surface Safety Cover
- BLCVR VELO-WHT-L Full Surface Safety Cover w/ Lock
- 27-111 Anchoring Kit (sold separately)



For drawings & specifications please refer to srsmith.com/specifiercentral



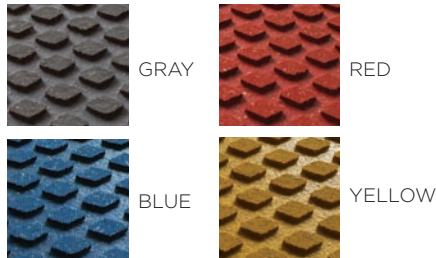
Can be ordered without the track start wedge, which can be added later.



Velocity VR blocks are designed to replace S.R.Smith Varsity Starting blocks.

TrueTread® Colors

Provides a resilient, anti-slip footing



Sand Tread Colors



Custom colors and logo available for an additional charge

Frame Colors



Due to printing technology actual color may differ

Velocity VR (Varsity Retrofit) Starting Block

Velocity VR starting blocks are designed to replace existing S.R.Smith Varsity blocks, by fitting into the current deck anchors. No drilling is required. Velocity VR blocks provide an easy upgrade to elite, competitive starting blocks.

- Fiberglass footboard has outstanding strength and sleek, hi-tech appearance
- Frames made from commercial grade, 1.90" stainless steel, powder-coated for additional protection
- Track Start wedge (5 positions) easily tucks under footboard
- Available with TrueTread® or Sand Tread
- Available with left or right side step
- Four backstroke handle options
- Custom colors and logos available on Sand Tread footboards
- Colorado & Daktronics timing systems compatible
- Meets FINA, USA Swimming, NCAA, NFSH and USMS competition pool rules and guidelines

| Part # | Description |
|---------------------|-------------|
| with Track Start | |
| VELO-VR-TS-TA | TrueTread™ |
| VELO-VR-TS-SA | Sand Tread |
| without Track Start | |
| VELO-VR-TA | TrueTread™ |
| VELOLR-VR-SA | Sand Tread |

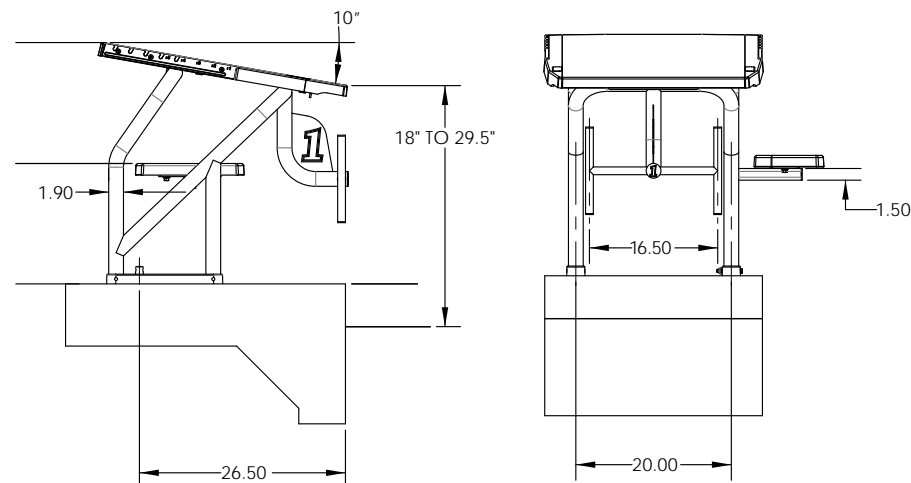
Setback Ranges

| Product | Setback* | Footboard Dimensions |
|----------------------------|----------|----------------------|
| Velocity VR Starting Block | 26.5" | 28" x 32" |

*Setback is to center of the anchor

Accessories

- 4-620TS-T TrueTread track start upgrade kit
- 4-175A Side Handles
- BLCVR-1317-WHT Pyramid-Shaped Safety Cover
- BLCVR VELO-WHT Full Surface Safety Cover
- BLCVR VELO-WHT-L Full Surface Safety Cover w/ Lock



S.R.Smith Varsity starting blocks have been the standard for decades at competitive swimming pools. Now, facilities can graduate to the Velocity VR. Designed to make upgrades easy and affordable, the Velocity VR does not require any deck drilling. Upgrades are as easy as 1, 2, 3!



1 - REMOVE

- Unscrew existing bolts from the deck
- Remove block and clean the anchors



2 - MEASURE

- Install Threaded Center Punches
- Align Velocity VR to the pool wall



3 - REPLACE

- Drill a pilot hole in the anchor plate
- Secure Velocity VR with provided anchor bolts

Learn more at srsmith.com/StartwithVelocity

Legacy Single Post Starting Blocks



Legacy Standard



Legacy Long Reach



Legacy Side Mount

The Legacy single-post models are ideal for highly competitive swimming facilities. The powder-coated, stainless steel frame is secured to the pool deck with a patented RockSolid® anchor to eliminate platform movement.

- High-impact footboards with laminated cores reinforced with fiberglass in a gelcoat skin with a non-slip tread
- The 2.5" square, 304 stainless steel tubing is powder-coated for added corrosion resistance
- Choose from 4 different backstroke handle designs
- Patented RockSolid® anchoring system (NOT INCLUDED)
- Meets FINA, NCAA, NFSHSA, USMS, USAS competition pool rules and regulations
- New SolidStart Edge for enhanced hand grip is standard

| Part # | Description |
|----------------|-------------------|
| LEGACY-SP-9999 | Legacy |
| LGCYL1-SP-9999 | Legacy Mid-Range |
| LGCYL2-SP-9999 | Legacy Long Reach |
| LSM-9999A | Legacy Side Mount |

Number of steps (1 or 2) will vary depending on setback and height of starting platform.
Can be customized with team logos and colors for an additional charge. Call for quote.

Setback Ranges

| Product | Setback* Range | Footboard Dimensions |
|------------------------------|----------------|----------------------|
| Legacy Standard & Side Mount | 21" to 26" | 24" x 32" |
| Legacy Mid-Range | 27" to 32" | 24" x 32" |
| Legacy Long Reach | 33" to 40" | 24" x 32" |

*Setback is to center of the anchor

Accessories

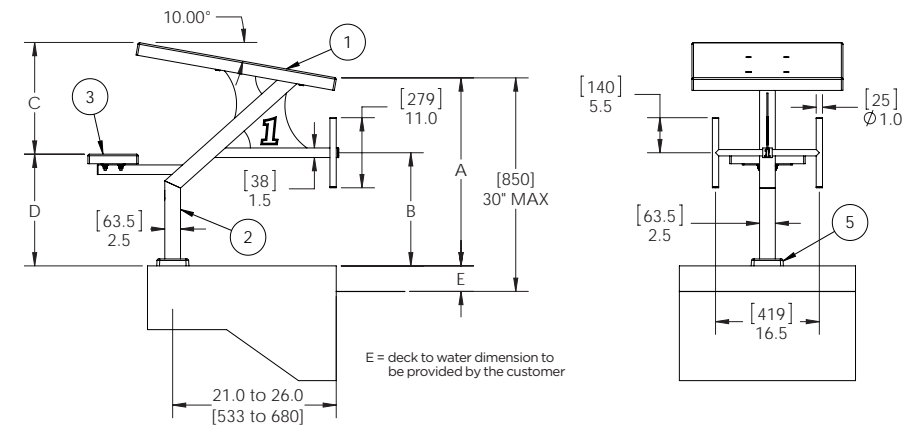
- 8-623B Replacement Footboard (24"x32")
- 27-107 RockSolid Anchor
- 20-191 Safety Cap for Anchor
- 4-170A Side Handles
- BLCVR-1317-WHT Safety cover, white

Frame Colors

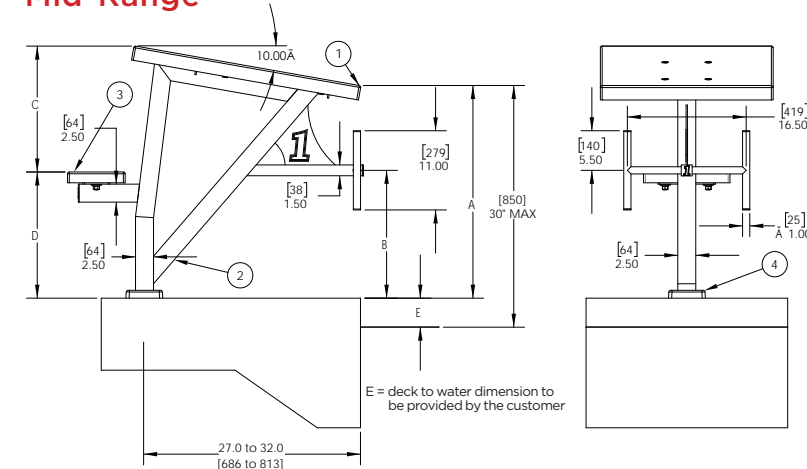


Due to printing technology actual color may differ

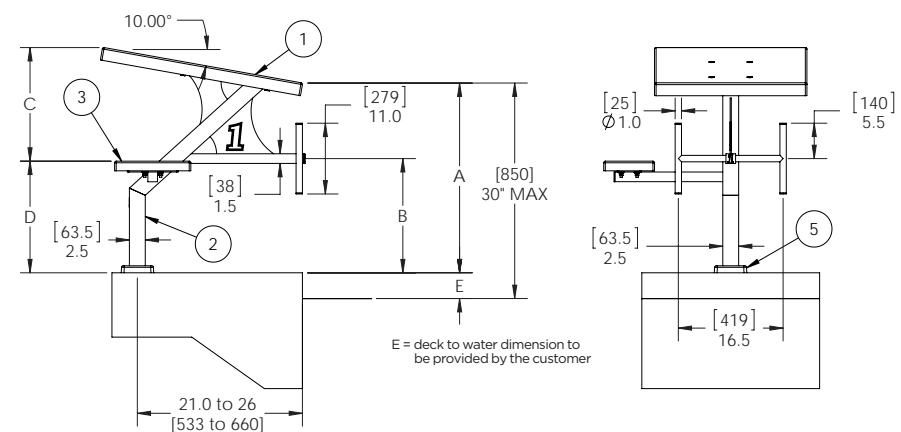
Standard



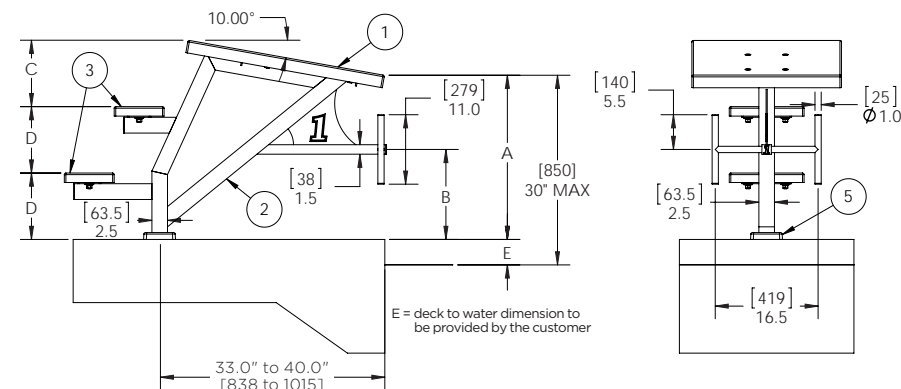
Mid-Range



Side Mount



Long Reach



For drawings & specifications please refer to srsmith.com/specifiercentral

Legacy Dual Post Starting Blocks

The Legacy dual post models are ideal for competitive swimming facilities.



Legacy Dual Post Standard



Legacy Dual Post Long Reach

- High-impact footboards with laminated cores reinforced with fiberglass in a gelcoat skin with a non-slip tread
- Frames made from commercial grade, 1.90" stainless steel, powder-coated for additional protection
- Patented RockSolid® anchoring system (NOT INCLUDED)
- SolidStart Edge for enhanced hand grip is standard
- Optional side handles available
- Choose from 4 different backstroke handle designs
- Meets FINA, USA Swimming, NCAA, NFSH and USMS competition pool rules and guidelines

| Part # | Description |
|--------------------|-----------------------------|
| LEGACY-DP-SP-9999A | Legacy Dual Post |
| LGCYL2-DP-SP-9999A | Legacy Dual Post Long Reach |

RockSolid Anchor required with Long Reach models
Various escutcheon styles available
Can be customized with team logos and colors for an additional charge. Call for quote.

Setback Ranges

| Product | Setback* Range | Footboard Dimensions |
|-------------------|----------------|----------------------|
| Legacy Standard | 18" to 26" | 24" x 32" |
| Legacy Long Reach | 27" to 36" | 24" x 32" |

*Setback is to center of the anchor

Sand Tread Colors



Custom colors and logo available for an additional charge

Accessories

- 8-623B Replacement Footboard
- 27-108 RockSolid Anchor
- 27-105 Standard Dual Post Anchor
- 4-170A-DP Side Handles
- BLCVR-1317-WHT Safety cover, white

Frame Colors



Due to printing technology actual color may differ

Legacy II Starting Blocks

The Legacy II is an economical choice for recreational swimming facilities.

- Footboard has a sanded tread for safety
- The 1.90", .145" wall 304 stainless steel tubing is electropolished for added corrosion resistance
- Use with the dual post anchor assembly for easy installation
- Meets FINA, NCAA, NFSHSA, USMS, USAS and competition pool rules and regulations



NOTE: Frame available in polished steel only

Frame Color



Sand Tread Colors



Custom colors and logo available for an additional charge

| Part # | Description |
|-----------|-----------------------|
| LEGACY II | Legacy II with anchor |

Add A to the end of the part number to order without an anchor

Setback Ranges

| Product | Setback* Range | Height Off Deck | Footboard Dimensions |
|-----------|----------------|-----------------|----------------------|
| Legacy II | 18" | 17" to 29.5" | 24" x 20" |

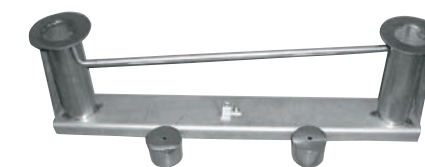
Setback is to center of the anchor
Height from deck edge to top front edge of the platform

Accessories

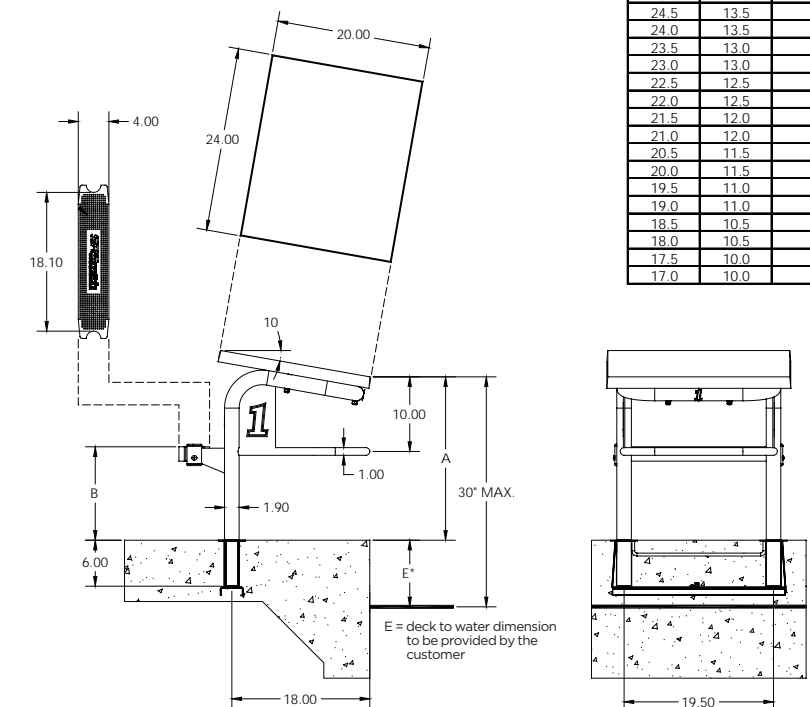
- 27-105 Dual Post Anchor (standard)
- 27-108 RockSolid Dual Post Anchor
- 8-616B Footboard (24"x20")

| A | B | DECK TO WATER LEVEL |
|------|------|---------------------|
| 30.0 | 16.5 | 0.0 |
| 29.5 | 16.0 | 0.5 |
| 29.0 | 16.0 | 1.0 |
| 28.5 | 15.5 | 1.5 |
| 28.0 | 15.5 | 2.0 |
| 27.5 | 15.0 | 2.5 |
| 27.0 | 15.0 | 3.0 |
| 26.5 | 14.5 | 3.5 |
| 26.0 | 14.5 | 4.0 |
| 25.5 | 14.0 | 4.5 |
| 25.0 | 14.0 | 5.0 |
| 24.5 | 13.5 | 5.5 |
| 24.0 | 13.5 | 6.0 |
| 23.5 | 13.0 | 6.5 |
| 23.0 | 13.0 | 7.0 |
| 22.5 | 12.5 | 7.5 |
| 22.0 | 12.5 | 8.0 |
| 21.5 | 12.0 | 8.5 |
| 21.0 | 12.0 | 9.0 |
| 20.5 | 11.5 | 9.5 |
| 20.0 | 11.5 | 10.0 |
| 19.5 | 11.0 | 10.5 |
| 19.0 | 11.0 | 11.0 |
| 18.5 | 10.5 | 11.5 |
| 18.0 | 10.5 | 12.0 |
| 17.5 | 10.0 | 12.5 |
| 17.0 | 10.0 | 13.0 |

Dual Post Anchor



RockSolid Dual Post Anchor





Backstroke Start System
PART # BSS1000

Backstroke Start System & Trainer

Designed to help make backstroke starts faster and reduce the chance for slipping, the Backstroke Start System provides the option to easily add this capability to virtually any pool deck or starting platform configuration.

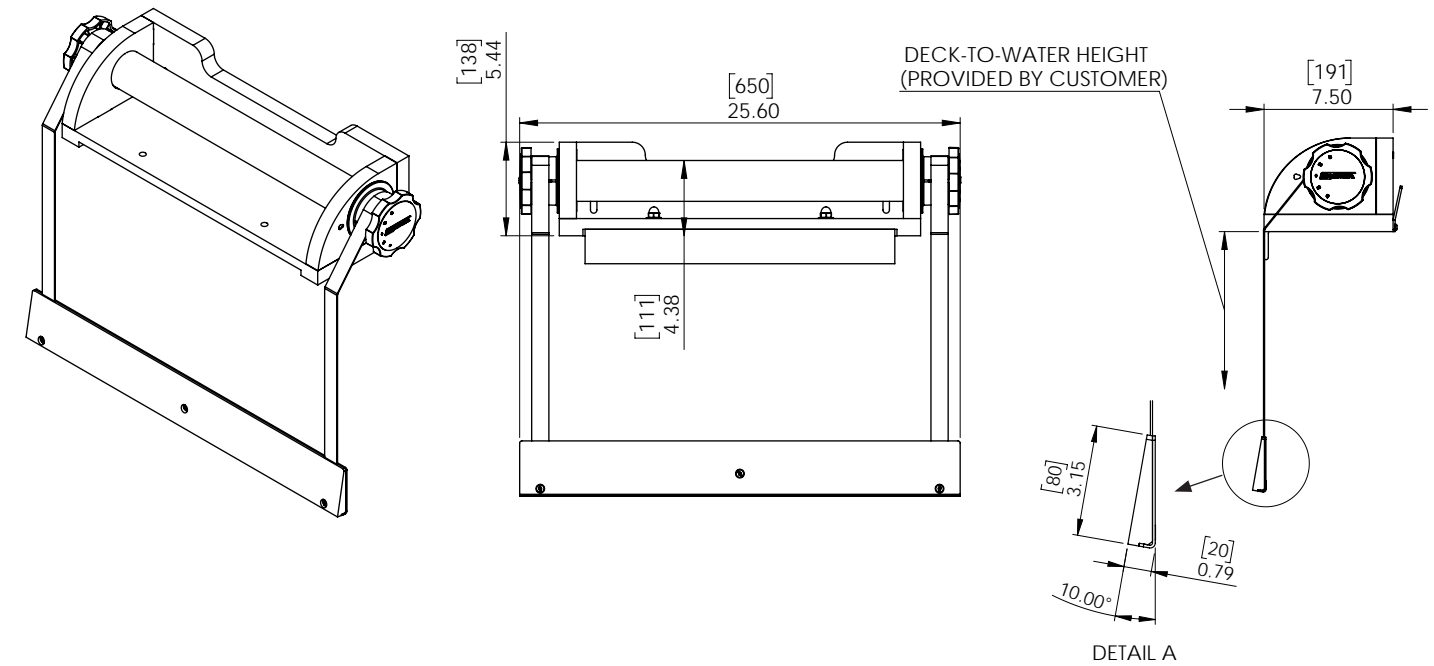
Backstroke Start System

- Anti-slip backstroke ledge with raised diamond pattern
- Easily adjustable ledge height with one-handed operation from in or out of pool
- Durable HDPE frame to protect from harsh elements at either indoor or outdoor locations
- Three unique mounting options to secure device to most deck and block platform configurations
- Clear markings on spool to show height of ledge to water level for compliance
- FINA 2.10 compliant for competition

FINA FR 2.10 Backstroke Ledge Requirements

- The ledge may be adjustable to 4cm above or 4cm below the water level
- The ledge is a minimum of 65cm in length
- The ledge must be 8cm in height, 2cm at the width with 10 degrees of slope

BACKSTROKE START SYSTEM BASE UNIT



3 MOUNTING OPTIONS

In-Deck Anchoring Kit



PART # 13-600

Plastic anchor with grounding bolt, fastened with plastic-headed stainless steel thumb screws

Pool Wall Mounting Kit with Strap



PART # 13-601

Vinyl-coated 1/4" thick stainless steel bracket with 10 foot long polyester strap and stainless steel cam buckle

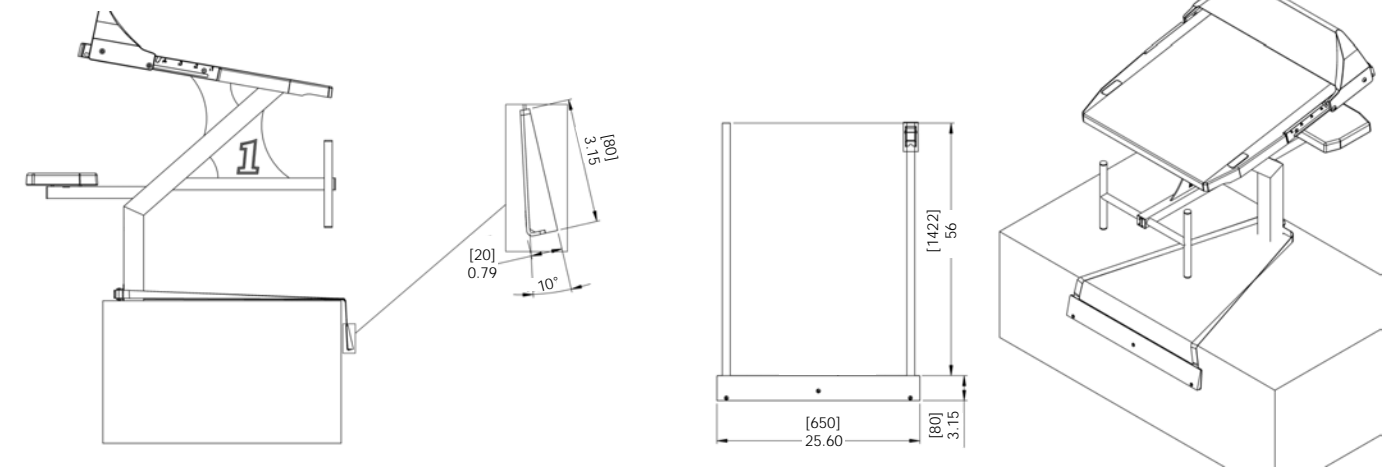
Platform Post Mounting Kit



PART # 13-603

Vinyl-coated 1/4" thick stainless steel plate and two brackets shaped to lock onto 2 inch square single post frames

BACKSTROKE START TRAINING DEVICE



PART # 03-650T

Backstroke Start Training Device

- Anti-slip backstroke ledge with raised diamond pattern
- Two 5-foot polyester straps with stainless steel cam buckle to secure and adjust height
- Works with a wide variety of starting blocks

| Model No. | Description | Shipping (Class 300) | | | |
|-----------|----------------------------------|----------------------|---------------|--------------|----------------|
| | | Weight | Length | Width | Height |
| 03-650T | Backstroke Start Training Device | 3 lbs 1.4kg | 2.5" 63mm) | 3.5" 89mm | 34.5" 876mm |
| BSS1000 | Backstroke Start System | 25 lbs 11kg | 8" 203mm | 8" 203mm | 26" 660mm |
| 13-600 | In-Deck Anchoring Kit | 5 lbs 2.3kg | 6" 152mm | 2" 51mm | 2" 51mm |
| 13-601 | Pool Wall Mounting Kit w/ Strap | 7 lbs 3.2kg | 18" 457mm | 4" 102mm | 2" 51mm |
| 13-603 | Platform Post Mounting Kit | 10 lbs 4.6kg | 18" 457mm | 12" 305mm | 2" 51mm |

Accessories



Velocity with Track Start Wedge Safety Cover

- Acrylic safety cover prevents unwanted jumping or diving
- Optional keyed cable lock
- Not for use with Velocity Starting Blocks with side handles - use Domed Acrylic Safety Cover (item #BLCVR-1317-WHT)

| Part # | Description |
|------------------|---|
| BLCVR-VELO-WHT | Velocity Starting Block Cover |
| BLCVR-VELO-WHT-L | Velocity Starting Block Cover with Lock |



Domed Acrylic Safety Cover

Starting block safety cover prevents unwanted diving or jumping.

| Part # | Description |
|----------------|-----------------------------|
| BLCVR-1317-WHT | Starting Block Safety Cover |



Side Handles

Offers an additional starting technique option for advanced swimmers. Can be added to Velocity and Legacy Starting Blocks.

| Part # | Description |
|-----------|-----------------------------------|
| 4-175A | Velocity Single Post Side Handles |
| 4-175A | Velocity Dual Post Side Handles |
| 4-170A | Legacy Single Post Side Handles |
| 4-170A-DP | Legacy Dual Post Side Handles |

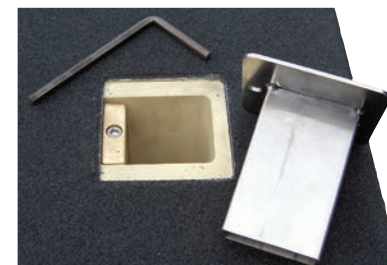


RockSolid Single Post Anchor



RockSolid Dual Post Anchor

RockSolid Anchor Safe-T-Cap (optional)



Utilizes same wedge bolt to tighten and secure in place, and sits flush to deck

RockSolid® Anchor

The anchor securely “hugs” the frame and can be tightened with minimal effort.

- Heavy duty welded 304 stainless steel construction
- Fully adjustable wedge assembly will expand and exert continuous, even pressure on the platform post to prevent starting platform movement
- Standard or optional Safe-T-Cap anchor cap can be used when starting platform is removed
- Anchor cap removal tool included
- Grounding lug

| Part # | Description |
|-----------------|--|
| 27-107 | RockSolid® Anchor and Cap |
| 27-107-13 | 13"/33cm RockSolid® Anchor for Bulkheads |
| 27-107-14 | 14"/37cm RockSolid® Anchor for Bulkheads |
| 27-108 | RockSolid® Dual Post Anchor |
| 27-108P | RockSolid® Anchor for Pavers |
| 27-1089 | Anchor Set Tool |
| 20-191 | Safe-T-Cap Anchor Cap |
| 20-241 + 20-240 | Wedge Assembly |
| 4-113-1 | Standard Anchor Cap |
| 5-215-1 | Allen Wrench |



Pool Better™

SRSmith®

800.824.4387
srsmith.com

No part of this may be copied or reproduced without the expressed written consent of S.R.Smith, LLC

©Copyright 2021 S.R.Smith, LLC. All rights reserved. | M-E-BRO-170 5M 0821