

# BYOS2 QUOTE REQUEST FORM

SEND THE COMPLETED FORM TO [BYOSQUOTE@SRSMITH.COM](mailto:BYOSQUOTE@SRSMITH.COM)

DISTRIBUTOR NAME		PHONE NUMBER
CONTACT NAME		
ADDRESS		
DEALER/BUILDER		PHONE NUMBER
CONTACT NAME		
ADDRESS		
EMAIL		
JOB REFERENCE NUMBER/PO		EST BUILD DATE
SIGNATURE		DATE

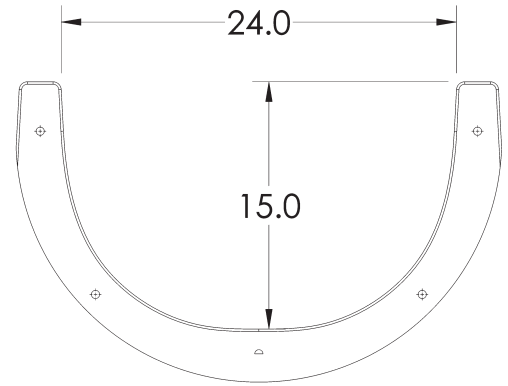
## BYOS2 DESIGN CONSIDERATIONS

- In your design, provision must be made for future removal of the slide from the substrate if necessary. Flange/gasket connections must be accessible for inspection and maintenance, including but not limited to retightening of fasteners as the slide can move slightly both vertically and horizontally based on the slider's weight and velocity.
- Do not construct objects or formations along or over the slide pathway that obstruct the pathway for sliders or cause potential harm to the head, arms or legs. Minimum recommended head clearance above the slide pathway is 7 feet.
- Minimum BYOS2 water envelope is 7' wide (centered on slide) x 13.5' long x 4.5' deep.
- All BYOS2 products are for in ground pool installation and use only. S.R.Smith expressly disclaims any and all warranties and liability arising from the installation or use of its BYOS 2 products in a non-pool or above ground pool application or setting.
- S.R.Smith will provide you with a slide system which matches the pathway and spatial requirements you request as closely as possible. It is important to note however, that S.R.Smith does not approve or accept liability for BYOS2 designs. All designs should be checked by a licensed Civil or Structural Engineer in your state, and when necessary inspected/approved by the applicable local governing agency.

# BYOS2 QUOTE REQUEST FORM

## 1 - DIMENSIONS

- What is entry height above deck? \_\_\_\_\_
- What is exit height above deck? \_\_\_\_\_
- What is the estimated centerline length of runway? \_\_\_\_\_



BYOS 2 Flume Dimensions

## 2- INSTALLATION TYPE

(pick one)

- RESIDENTIAL       COMMERCIAL

## 3- DRAWINGS

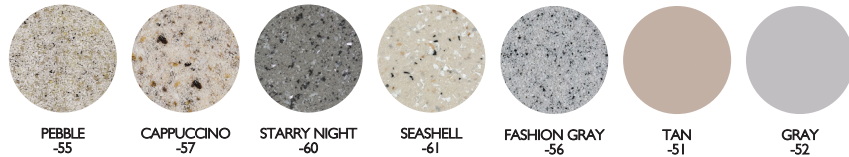
Provide us with a top view drawing of your slide with length and dimensions.

**PLEASE NOTE:** Height, slope and actual length of slide will be adjusted as close to your design as possible. Actual designs may vary.

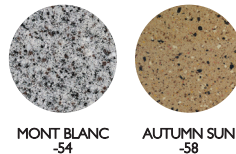
## 4- SLIDE COLOR (pick one)

- 51 TAN
- 52 GRAY
- 54 MONT BLANC
- 55 PEBBLE
- 56 FASHION GRAY
- 57 CAPPUCCINO
- 58 AUTUMN SUN
- 60 STARRY NIGHT
- 61 SEASHELL

### STANDARD COLORS



### SPECIAL ORDER COLORS\*



SEND THE COMPLETED FORM TO [BYOSQUOTE@SRSMITH.COM](mailto:BYOSQUOTE@SRSMITH.COM)

## BYOS2 LIABILITY DISCLAIMER

This BYOS2 product provides the customer the opportunity to design a one-of-a-kind slide, unique to the customer's preferences. When purchasing this BYOS2 product, the customer acknowledges and agrees that he or she has designed and created the specifications for this product. S.R.Smith makes no claims, representations, or warranties, whether expressed or implied, regarding this design of this product, or this product's safety, reliability, durability, or performance. In no event shall S.R.Smith be liable for any direct, indirect, punitive, incidental, special, or consequential damages arising out of or connected with the use or misuse of this product.

