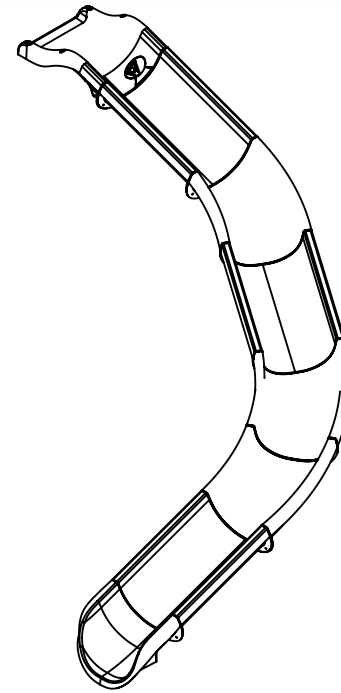
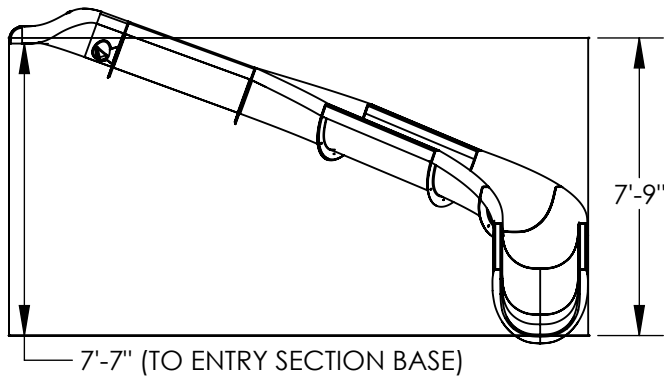


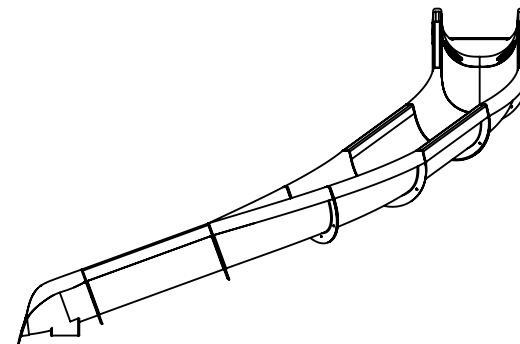
TOP VIEW



ISOMETRIC VIEW
NOT TO SCALE



FRONT VIEW



SIDE VIEW

DESCRIPTION:
24 LF RIVER RUN SLIDE RIGHT TURN, "B"
DWG FILE FOR USE

MATERIAL:
FIBERGLASS-REINFORCED VINYL ESTER

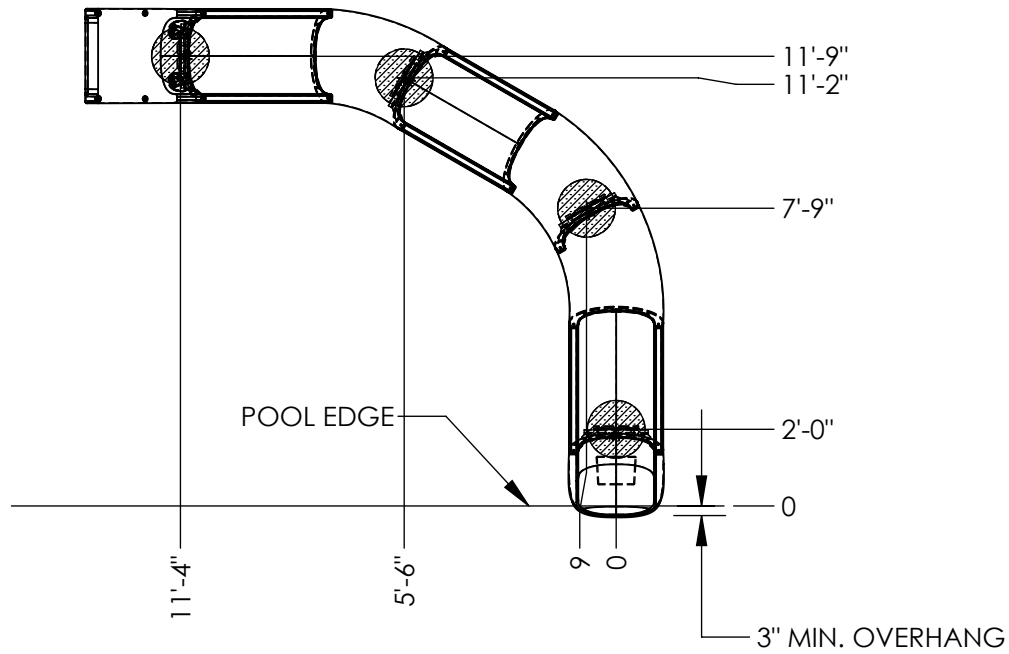
PART NO.: RRS24B-CR REV. A0

DRAWN BY: CMR DATE: 6/30/2020

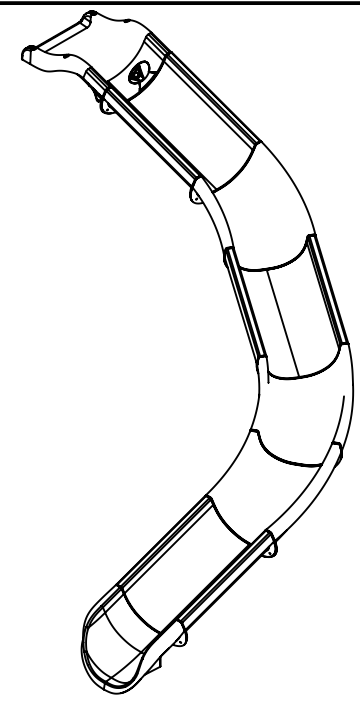
CHECKED BY: DATE:



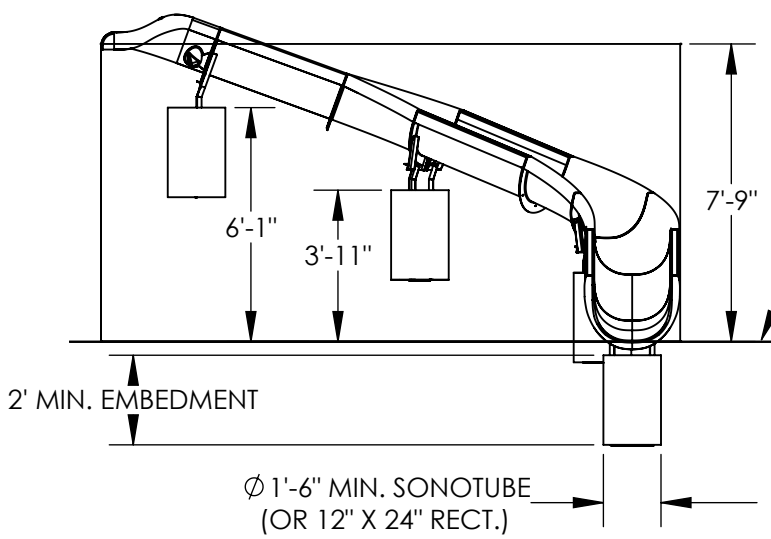
P.O. BOX 400 - 1017 S.W. BERG PARKWAY
CANBY, OREGON 97013
PHONE (503) 266-2231



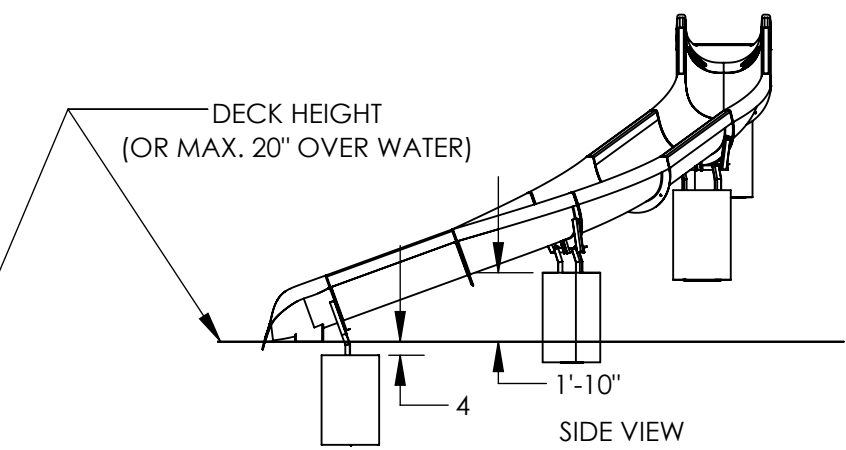
TOP VIEW



ISOMETRIC VIEW
NOT TO SCALE



FRONT VIEW



SIDE VIEW

DESCRIPTION: 24 LF RIVER RUN SLIDE RIGHT TURN, "B" DWG FILE FOR USE	
MATERIAL: FIBERGLASS-REINFORCED VINYL ESTER	
PART NO.: RRS24B-CR	REV. A0
DRAWN BY: CMR	DATE: 6/30/2020
CHECKED BY:	DATE:

SR SmithTM
P.O. BOX 400 - 1017 S.W. BERG PARKWAY
CANBY, OREGON 97013
PHONE (503) 266-2231