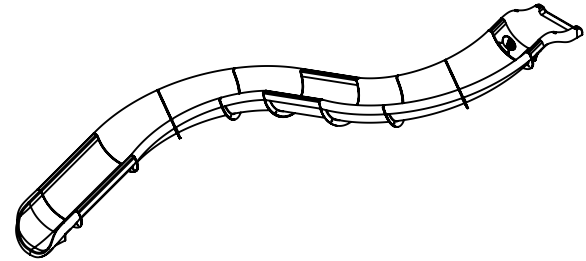
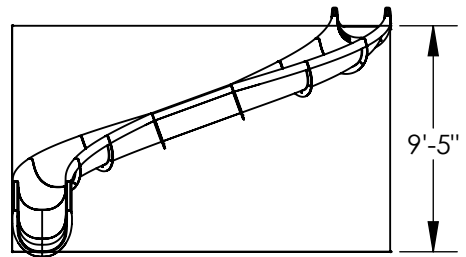


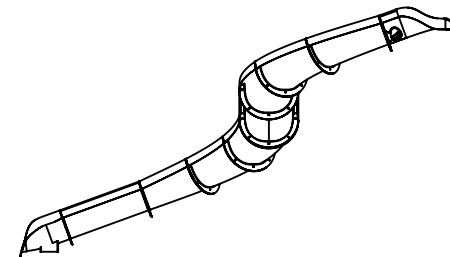
TOP VIEW



ISOMETRIC VIEW  
NOT TO SCALE



SIDE VIEW



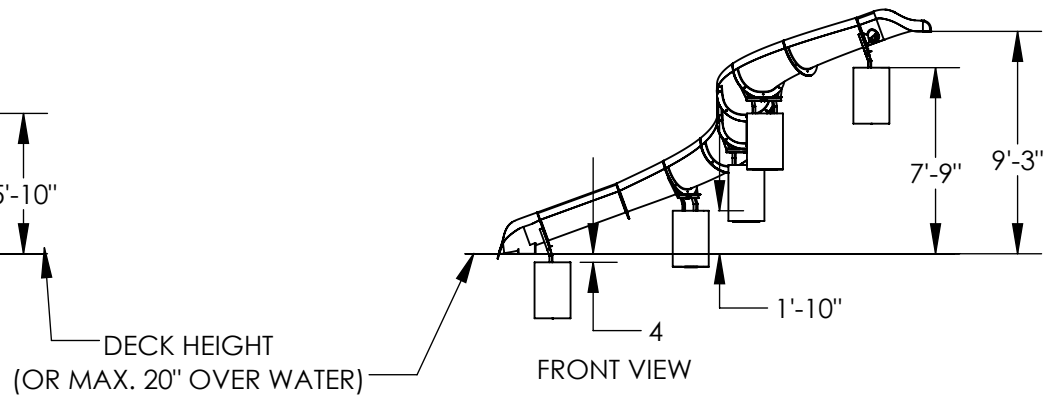
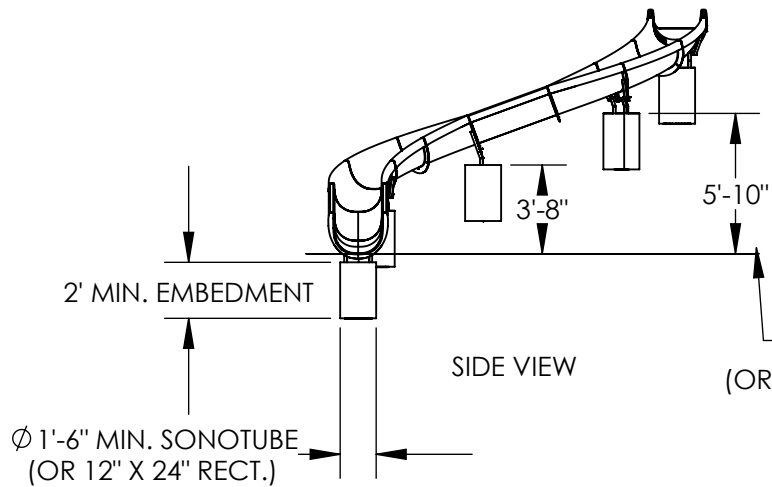
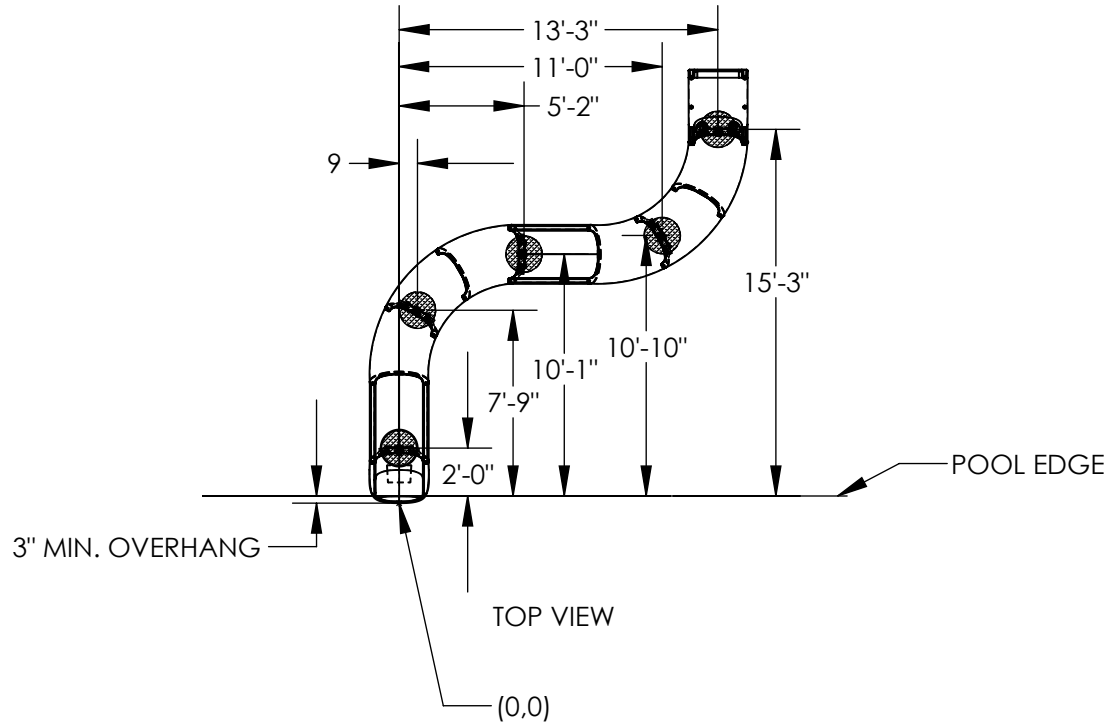
FRONT VIEW

DESCRIPTION: 29 LF RIVER RUN SLIDE LEFT TURN, "A" DWG FILE FOR USE	
MATERIAL: FIBERGLASS-REINFORCED VINYL ESTER	
PART NO.: RRS29A-CL	REV. A0
DRAWN BY: CMR	DATE: 6/30/2020
CHECKED BY:	DATE:

**SR Smith**<sup>TM</sup>

P.O. BOX 400 - 1017 S.W. BERG PARKWAY  
CANBY, OREGON 97013  
PHONE (503) 266-2231

SIZE: A	SCALE: 1:96	SHEET 1 OF 2
------------	-------------	--------------



DESCRIPTION: 29 LF RIVER RUN SLIDE LEFT TURN, "A" DWG FILE FOR USE	
MATERIAL: FIBERGLASS-REINFORCED VINYL ESTER	
PART NO.: RRS29A-CL	REV. A0
DRAWN BY: CMR	DATE: 6/30/2020
CHECKED BY:	DATE:

**SR Smith**™

P.O. BOX 400 - 1017 S.W. BERG PARKWAY  
CANBY, OREGON 97013  
PHONE (503) 266-2231

SIZE: A	SCALE: 1:96	SHEET 2 OF 2
------------	-------------	--------------