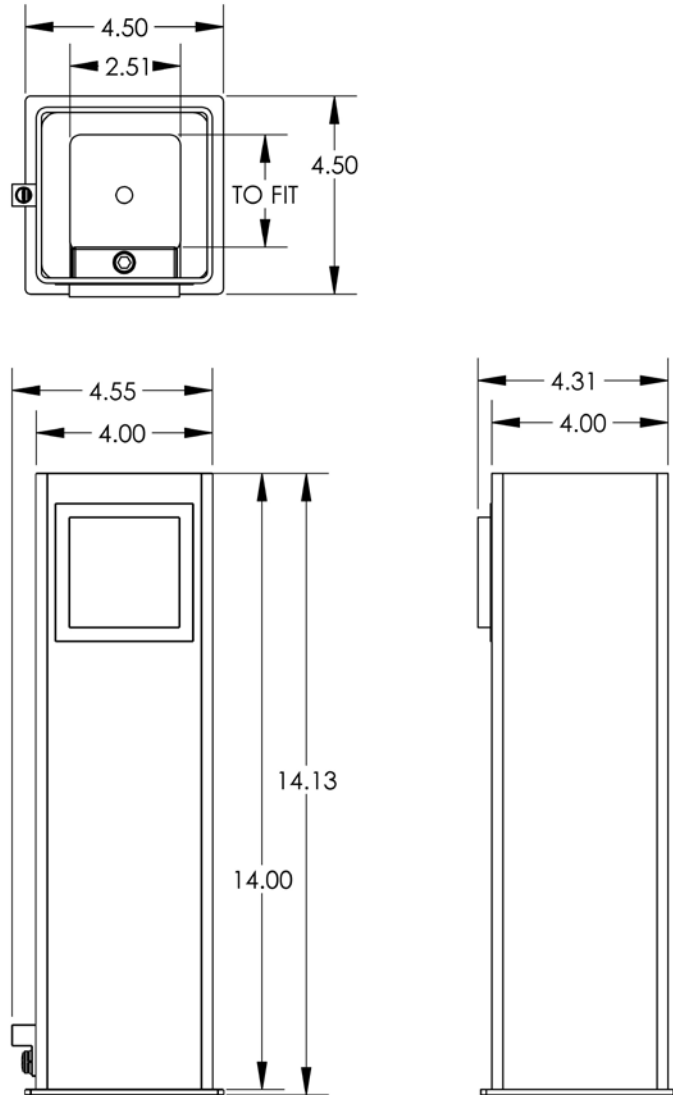


## RockSolid® Anchor Assembly



**Specification:** The RockSolid® Adjustable Anchor Assembly is specially designed to prevent starting platform rocking. The assembly consists of a housing constructed of 4.00" (101.6 mm) x .125" (3.05 mm) wall square stainless-steel tubing welded onto a 4.50" (114.3 mm) X .125" (3.18 mm) square flange. The anchor is provided with a grounding screw, and the urethane resin liner can be replaced when worn. The liner pairs with a stainless-steel adjustable wedge assembly, which when tightened will adjust to completely secure, or will loosen to facilitate removal of the starting platform. A stainless-steel cap is provided to mount flush on the deck when the platform is removed. A cap removal key is provided with each anchor.

**Shipping weight:** 8 lbs. [1.81 kg.]

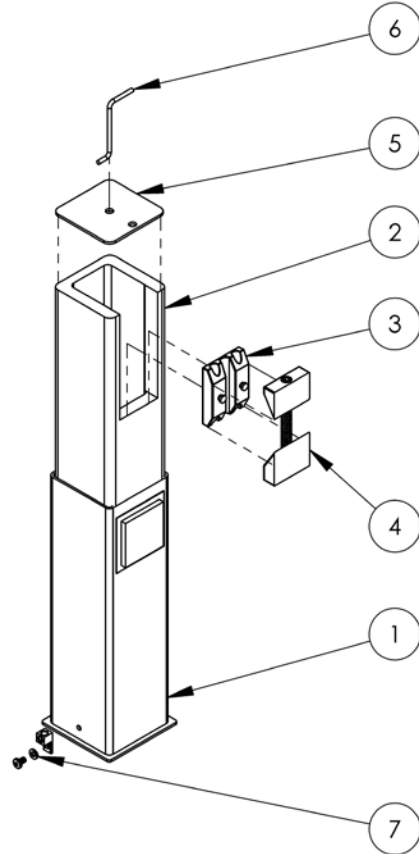
Specification Number:	<b>SRS-952</b>		
Product Description:	<b>RockSolid® Anchor Assembly</b>		
S.R. Smith Part Number:	<b>27-107-14</b>	Scale:	NTS
Revision:	A0	Date:	8/11/2021
Written By:	Z Boyer	Date:	8/11/2021
Approved By:	M Kaiel	Date:	8/11/2021
Page 2 of 2	Proprietary and confidential: The information contained in this specification is the sole property of S.R. Smith LLC. Any reproduction in part or whole without the written consent of S.R. Smith LLC is prohibited.		

**S.R. Smith, LLC**  
**P.O. Box 400, 1017 SW Berg Parkway**  
**Canby, Oregon 97013**  
**Tel: (888) 677-7776 (503) 266-2231**  
**Fax: (503) 266-4334**  
**www.srsmith.com**



# PRODUCT SPECIFICATIONS - DRAWING

## RockSolid® Anchor Assembly



Item No.	Part No.	Description
1	20-139	Anchor Body
2	4-602	Liner Insert
3	20-240	Middle Wedge Assy-Single Post
4	20-241	TOP/BTM WEDGE ASSY-SNGL
5	4-113-1	Cover Plate
6	5-215-1	Cover Plate Removal Tool
7		Ground Lug Assembly

Specification Number:	<b>SRS-952</b>		
Product Description:	<b>RockSolid® Anchor Assembly</b>		
S.R. Smith Part Number:	<b>27-107-14</b>	Scale:	NTS
Revision:	A0	Date:	8/11/2021
Written By:	Z Boyer	Date:	8/11/2021
Approved By:	M Kaiel	Date:	8/11/2021
Page 1 of 2	Proprietary and confidential: The information contained in this specification is the sole property of S.R. Smith LLC. Any reproduction in part or whole without the written consent of S.R. Smith LLC is prohibited.		

**S.R. Smith, LLC**  
 P.O. Box 400, 1017 SW Berg Parkway  
 Canby, Oregon 97013  
 Tel: (888) 677-7776 (503) 266-2231  
 Fax: (503) 266-4334  
[www.srsmith.com](http://www.srsmith.com)