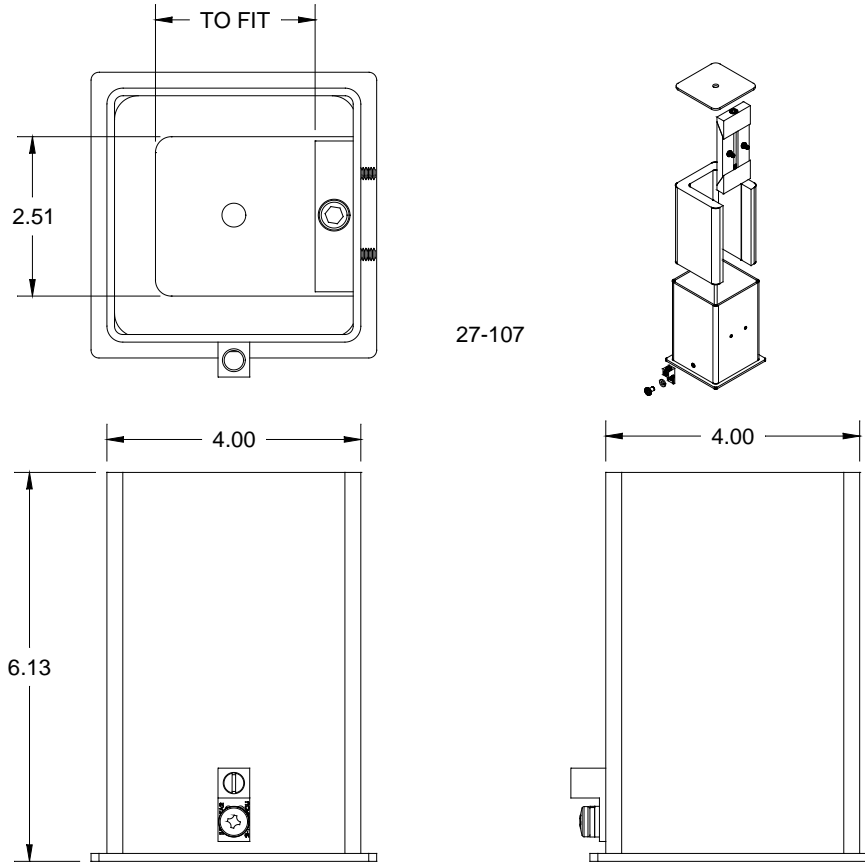


RockSolid® Anchor Assembly



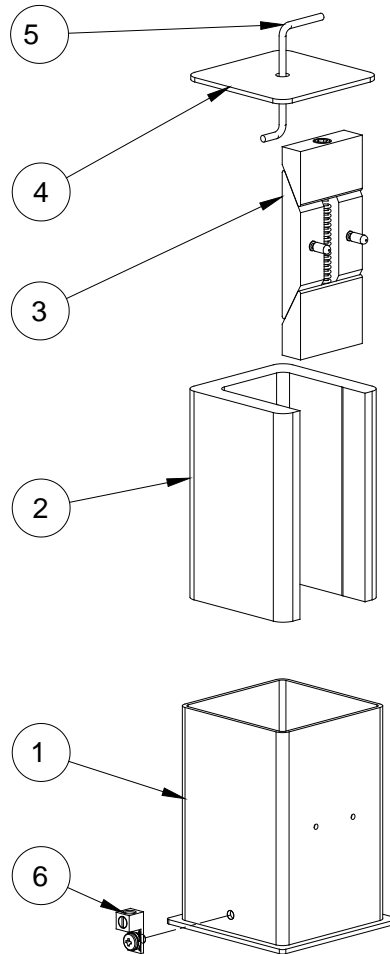
Specification: The RockSolid® Adjustable Anchor Assembly is specially designed to prevent starting platform rocking. The assembly consists of a housing constructed of 4.00” (101.6 mm) x .12” (3.05 mm) wall square stainless-steel tubing welded onto a 4.50” (114.3 mm) X .125” (3.18 mm) square flange. The anchor is provided with a grounding screw, and the urethane resin liner can be replaced when worn. The liner pairs with a stainless-steel adjustable wedge assembly, which when tightened will adjust to completely secure, or will loosen to facilitate removal of the starting platform. A stainless-steel cap is provided to mount flush on the deck when the platform is removed. A cap removal key is provided with each anchor.

Shipping weight: 8 lbs. [1.81 kg.]

Specification Number:	SRS-920		
Product Description:	RockSolid® Anchor Assembly		
S.R. Smith Part Number:	27-107	Scale:	NTS
Revision:	E	Date:	7/2/2021
Written By:	Z Boyer	Date:	7/2/2021
Approved By:	M Kael	Date:	7/2/2021
Page 1 of 2	Proprietary and confidential: The information contained in this specification is the sole property of S.R. Smith LLC. Any reproduction in part or whole without the written consent of S.R. Smith LLC is prohibited.		

S.R. Smith, LLC
P.O. Box 400, 1017 SW Berg Parkway
Canby, Oregon 97013
Tel: (888) 677-7776 (503) 266-2231
Fax: (503) 266-4334
www.srsmith.com

RockSolid® Anchor Assembly



Item No.	Part No.	Description
1	20-139	Anchor Body
2	4-602	Liner Insert
3		Wedge Assembly
4	4-113-1	Cover Plate
5	5-215-1	Cover Plate Removal Tool
6		Ground Lug Assembly

Specification Number:	SRS-920		
Product Description:	RockSolid® Anchor Assembly		
S.R. Smith Part Number:	27-107	Scale:	NTS
Revision:	E	Date:	7/2/2021
Written By:	Z Boyer	Date:	7/2/2021
Approved By:	M Kaiel	Date:	7/2/2021
Page 2 of 2	Proprietary and confidential: The information contained in this specification is the sole property of S.R. Smith LLC. Any reproduction in part or whole without the written consent of S.R. Smith LLC is prohibited.		

S.R. Smith, LLC
P.O. Box 400, 1017 SW Berg Parkway
Canby, Oregon 97013
Tel: (888) 677-7776 (503) 266-2231
Fax: (503) 266-4334
www.srsmith.com