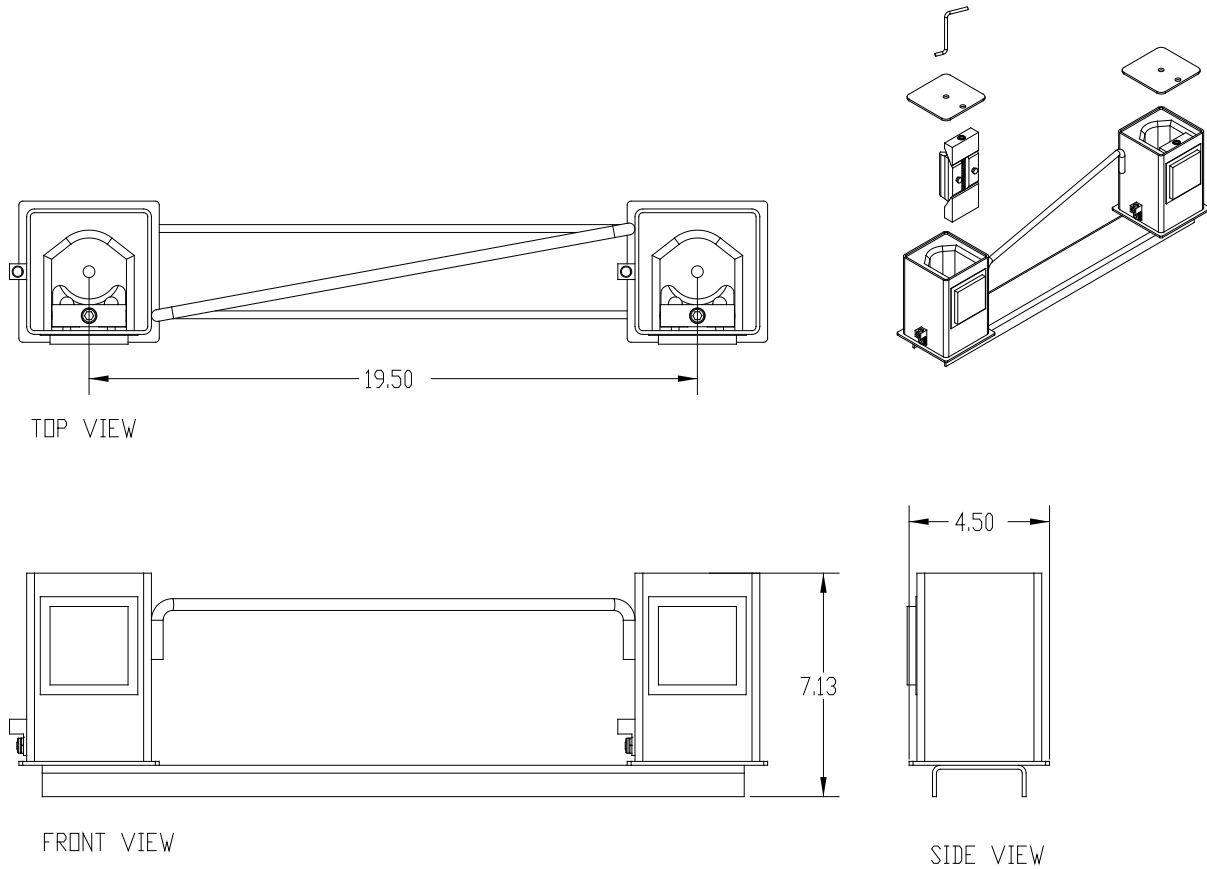


DUAL POST ROCK SOLID® ANCHOR



Specification: The Dual Post RockSolid® Anchor Assembly is specially designed to prevent rocking of S.R. Smith dual post starting platforms. The assembly consists of two individual RockSolid™ (27-108) anchors welded to a stainless-steel channel. Each RockSolid™ Anchor consist of a housing constructed of 4.00” (101.6 mm) square x .120” (3.05 mm) wall stainless steel tubing welded to a 4.50” (114.3 mm) X .125” (3.18 mm) square flange. The anchor is provided with a grounding screw, and a urethane resin liner. The bronze adjustable wedge assembly tightens to secure the starting platform or loosens to facilitate removal of the starting platform. A stainless-steel cap is provided to mount flush on the deck when the platform is removed. A cap removal key is provided with each anchor.

Shipping weight: 10 lbs

Specification Number:	SRS-921		
Product Description:	Dual Post RockSolid® Anchor Assembly		
S.R. Smith Part Number:	27-108	Scale:	NTS
Revision:	B	Date:	09/19/17
Written By:	B. Svendsen	Date:	03/15/06
Approved By:	M. Kael	Date:	03/15/06
Page 1 of 1	Proprietary and confidential: The information contained in this specification is the sole property of S.R. Smith LLC. Any reproduction in part or whole without the written consent of S.R. Smith LLC is prohibited.		

S.R. Smith, LLC
P.O. Box 400, 1017 SW Berg Parkway
Canby, Oregon 97013
Tel: (888) 677-7776 (503) 266-2231
Fax: (503) 266-4334
www.srsmith.com