

2/3-Meter Deck Level Stand



This versatile, mid-sized tower is a great choice for an aquatic facility that is limited on space.

- Made of carbon steel, primed and ready for a high-quality acrylic urethane enamel paint
- Pair with a 10' or 12' board
- Platform tray has two sets of 6" slots for proper fulcrum placement and adjustment
- Handrails are not included, but are strongly recommended and are made of 1.90" OD, .065" wall stainless steel

Compatible with:



Frontier III Commercial (10'+12')



Swim Club (10'+12')



Olympian (10'+12')

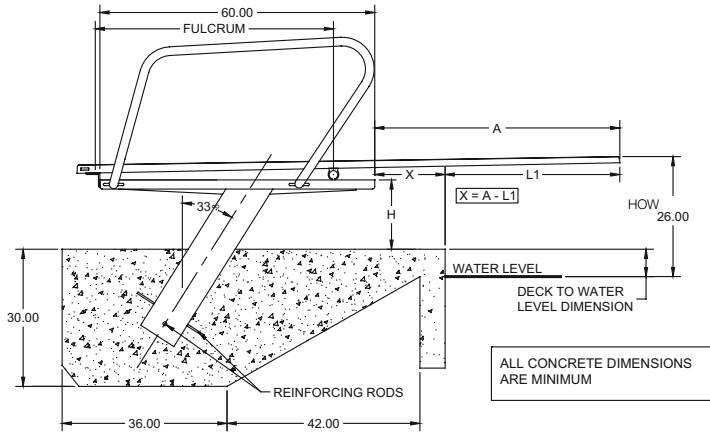
Stand Model No.	Board Size	Shipping				
		Weight	Length	Width	Height	
DLS-100	10' 3.06m	130 lbs 59kg	63" 160cm	36" 91cm	18" 46cm	
DLS-101	10' 3.06m	140 lbs 64kg	63" 160cm	36" 91cm	18" 46cm	
DLS-101	12' 3.66m	140 lbs 64kg	63" 160cm	36" 91cm	18" 46cm	
25-104	DLS-100 Handrails & Hardware (order separately)		40 lbs 18kg	56" 142cm	36" 91cm	18" 46cm
25-106	DLS-101 Handrails & Hardware (order separately)		48 lbs 22kg	68" 173cm	35" 89cm	2" 5cm
25-104A	Handrail Only		32 lbs 14kg	56" 142cm	36" 91cm	18" 46cm
25-106A	Handrail Only		40 lbs 18kg	68" 173cm	35" 89cm	2" 5cm

Notes:

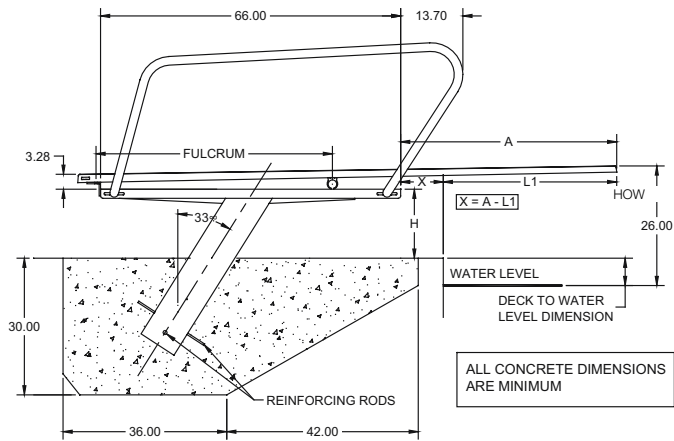
- Diving boards and stands are sold separately
- Ships on a pallet
- * Not recommended for salt pools

All installations must comply with all applicable local and national codes and installation must be completed in accordance with S.R.Smith installation instructions.

DLS-100

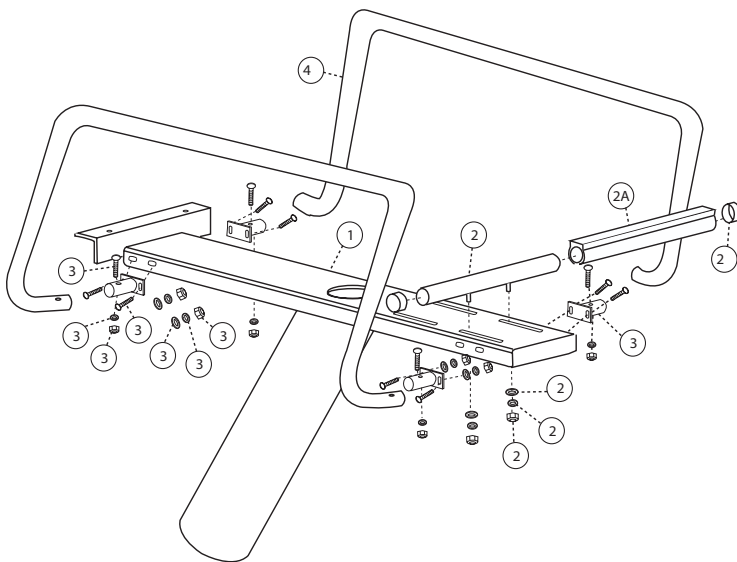


DLS-101



Installation Dimensions

Model	Type	Length	Fulcrum	Board (A)	Maximum Height of Stand Above Deck, (H)	Minimum Overhang, (L1)
DLS-100	VI	10'	52"	53 1/2"	H = 20" - Deck to Water Level	30"
DLS-101	VI	10'	52"	47 1/2"	H = 20" - Deck to Water Level	30"
DLS-101	VII	12'	62"	71 1/2"	H = 20" - Deck to Water Level	36"



Key	Part No.	Description
1	DLS-100A	DLS-100 Stand
1	DLS-101A	DLS-101 Stand
2	25-103	Fulcrum Assembly
2A	FC-100A	Fulcrum Pad
3	25-200	Handrail Bracket Kit
4	25-104A	DLS-100 Handrails
4	25-106A	DLS-101 Handrails