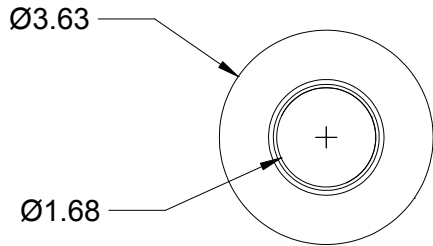
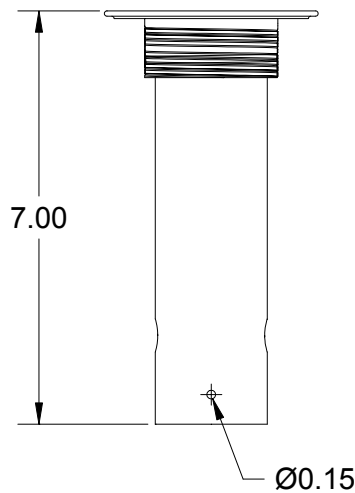
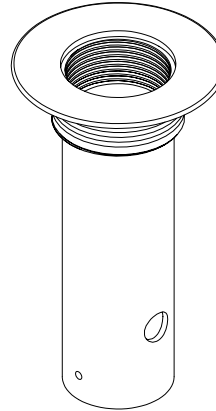


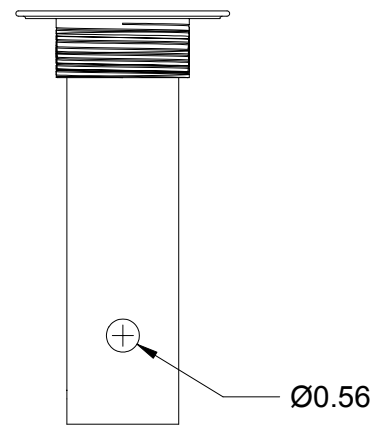
Stanchion Anchor and Plug Assembly



TOP VIEW



FRONT VIEW



SIDE VIEW

Specification: The Stanchion Anchor and Plug Assembly is made from a 1.90" O.D. x .109 wall type 304 stainless steel tube, which is attached to a chrome-plated brass flange. The assembly allows for a stanchion to be screwed into the anchor. The anchor has holes to allow for rebar to be inserted for added support and is also tapped for the provided 10-24 UNC brass grounding screw. A chrome plated brass plug is provided to screw flush with the deck when the fixture is removed.

Shipping Weight: 2.1 lbs [.95kg] (ea)

Specification Number:	SRS-917		
Product Description:	Stanchion Anchor and Plug Assembly		
S.R. Smith Part Number:	A40698-0	Scale:	NTS
Revision:	A	Date:	06/04/03
Written By:	T. Weil	Date:	06/04/03
Approved By:	B. Bisceglia	Date:	06/05/03
Page 1 of 1	Proprietary and confidential: The information contained in this specification is the sole property of S.R. Smith LLC. Any reproduction in part or whole without the written consent of S.R. Smith LLC is prohibited.		

S.R. Smith, LLC
P.O. Box 400, 1017 SW Berg Parkway
Canby, Oregon 97013
Tel: (888) 677-7776 (503) 266-2231
Fax: (503) 266-4334
www.srsmith.com