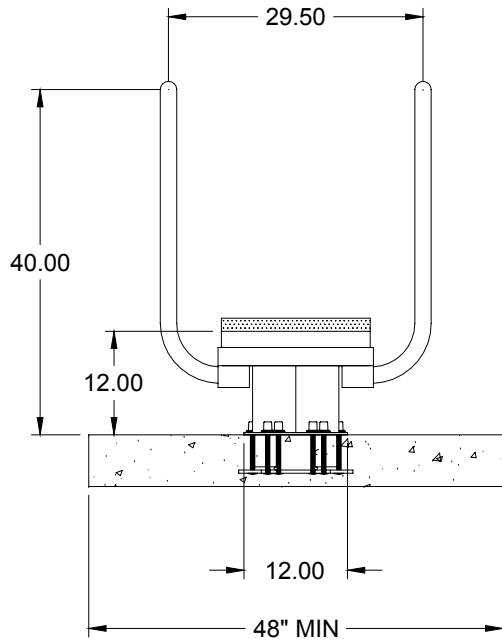
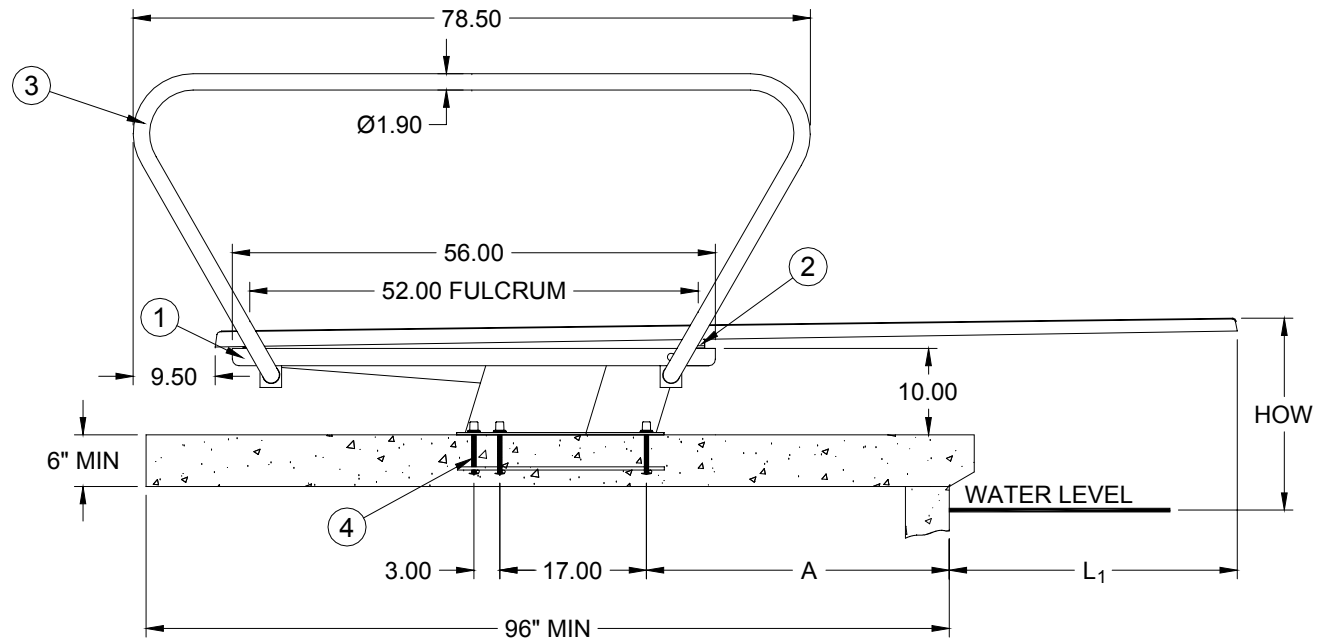


1/2 Meter Steel Diving Stand (10 ft)



HEEL VIEW



SIDE VIEW

ANSI/NSPI-1 1991 Standard for Public Swimming Pools

Pool Type	Distance for Setting Front Bolt of Jig from Water's Edge A	Min. Overhang Overhead L ₁ (± 3")	Max. Height of Board Above Water HOW
VI	39"	30"	26"
VII	33"	36"	30"
VIII	21"	48"	39"

WHEN COPING IS USED DO NOT SET FRONT BOLT OF JIG CLOSER THAN 3" FROM THE DECK EDGE OF COPING.

NOTE:

Diving boards (including spring boards, jump boards, and starting platforms) shall be installed only on pools meeting or exceeding the minimum requirements for the various pool types as outlined in the current edition of ANSI/NSPI-1 (for Public Pools). In addition, all installations must meet or exceed applicable local codes with installation accomplished in accordance with S.R. SMITH written instructions. SR SMITH CANNOT GUARANTEE CUSTOMER'S CONCRETE OR THICKNESS.

Specification Number:	SRS-413		
Product Description:	1/2 Meter Steel Diving Stand (10 ft)		
S.R. Smith Part Number:	70-209-502	Scale:	NTS
Revision:	A	Date:	05/02/03
Written By:	T. Weil	Date:	05/02/03
Approved By:	B. Bisceglia	Date:	05/05/03
Page 1 of 2	Proprietary and confidential: The information contained in this specification is the sole property of S.R. Smith LLC. Any reproduction in part or whole without the written consent of S.R. Smith LLC is prohibited.		

S.R. Smith, LLC
P.O. Box 400, 1017 SW Berg Parkway
Canby, Oregon 97013
Tel: (888) 677-7776 (503) 266-2231
Fax: (503) 266-4334
www.srsmith.com



S.R. Smith LLC Commercial Division
Product Specifications - Written

Product Name: 1/2 Meter Steel Diving Stand (10 ft Boards)

Part Number: 70-209-502

General Notes:

The **1/2 Meter Steel Diving Stands** are designed for moderate to heavy-duty use with a variety of diving boards on commercial pools. All steel components are constructed from A36 and 1018 steel and are powder coated in Radiant White for protection. Handrails are optional on 1/2 meter stands and because of varying mounting heights and board lengths, handrails must be ordered separately as required. The p/n 70-209-502 steel meter stand is to be used with 10' (3.05m) boards only.

Application:

Depending upon installation design and local codes, these models are suitable for use on commercial pools. Site and installation requirements will determine the actual stand sizes and board lengths.

Specifications:

- 1 **Weldments and Tray:** The tray is constructed of .195" (4.95mm) thick carbon steel. .195" (4.95mm) gussets are welded to the tray for added support. The entire tray and weldments are powder coated Radiant White for protection.
- 2 **Fulcrum:** The fulcrum for the Steel Meter Diving Stand is fixed and consists of an 18" x 2 x .25 (457mm x 50.8 x 6.35) zinc plated carbon steel plate and a high durometer rubber mounting and fulcrum pad.
- 3 **Handrails** (p/n 71-209-551): The optional handrail used on this stand is constructed of 1.90" O.D. x .049 wall (48.25mm x 1.24) type 304 stainless steel (order separately).
- 4 **Anchor Assembly:** (p/n 71-209-541, see spec sheet for SRS-907): The anchor is manufactured using #3 grade 40 rebar. Six (6) 1/2" x 6 zinc plated carriage bolts are welded to the rebar and match the hole pattern of the diving stand's mounting plate.

Additional Product Numbers: N/A

Shipping weight: 145 lbs (65.8kg)

Specification Number:	SRS-413	
Product Description:	1/2 Meter Steel Diving Stand (10 ft Boards)	
S.R. Smith Part Number:	70-209-502	
Revision:	A	Date: 05/02/03
Written By:	T. Weil	Date: 05/02/03
Approved By:	B. Bisceglia	Date: 05/05/03
Page 2 of 2	Proprietary and confidential: The information contained in this specification is the sole property of S.R. Smith LLC. Any reproduction in part or whole without the written consent of S.R. Smith LLC is prohibited.	

S.R. Smith, LLC
P.O. Box 400, 1017 SW Berg Parkway
Canby, Oregon 97013
Tel: (888) 677-7776 (503) 266-2231
Fax: (503) 266-4334
www.srsmith.com