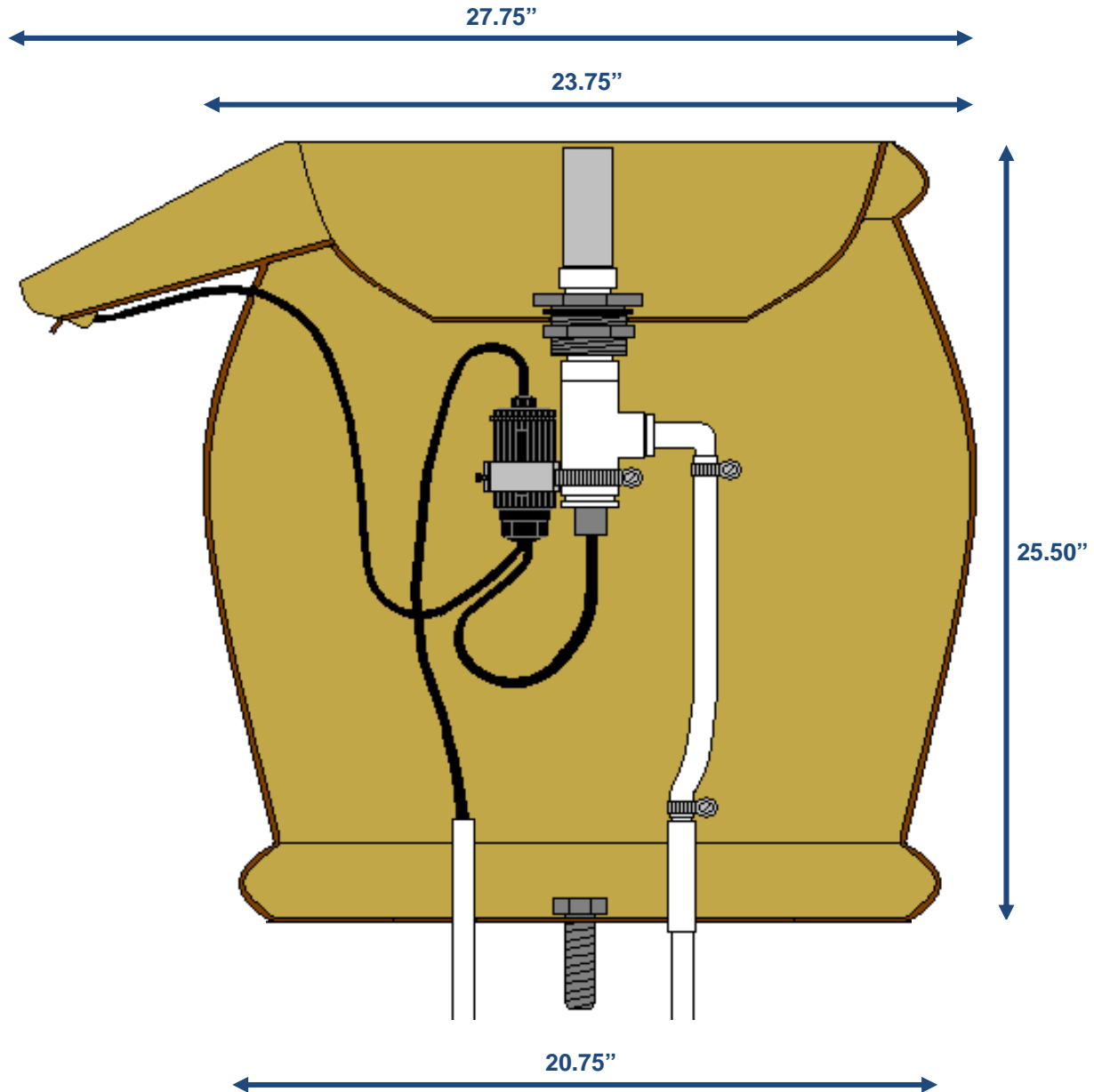


Color Light Streams Lighted Bubbler Spillway Pot (CLSDLP) Installation Manual



Specifications:

8-13 GPM
12-14 VAC only (Class 2 transformer required)
3W max.
100 ft. cord, conduit required

Dimensions:

25.50" high
23.75" nominal outer diameter
27.75" depth w/ spillway
20.75" diameter of base



Color Light Streams Lighted Bubbler Spillway Pot

Fiberstars Lighted Spillway Pots are designed for an easy method of installation that will provide years of lighted water enjoyment. These pots are designed to be mounted at deck side within 1-2" of deck's edge, with or without a raised bond beam. Pots may not be suitable for pools with deck top safety covers.

Main Installation Requirements

1. Run two PVC conduits (1 for water supply, 1 for 100' provided low voltage cord). 1" pipe is highly recommended, if ¾" pipe is used, a ¾" to 1" reducer will be required. These stubs will need to terminate approximately 4" above finished deck level.
2. Insure that PVC conduits are 10" to 15" back from water's edge and 3" to 5" apart.
3. 8 to 13 GPM water supply with gate or ball valve (for flow adjustment) at equipment pad.
4. Save the box that this Pot was shipped in for safe keeping during pool / deck construction.

These pots are designed for installation at water edge. Be very careful in your location and installation as this is a permanent installation once completed. Please note that wind can affect the performance of water features in general, this product is no different.

1. To install these pots, please see directions for water and conduit pipe locations in reference to the water edge on the pool. (Figure 1)
2. Locate the pot over the water and conduit pipes, keeping in mind the three critical requirements at this stage of installation:
 - A. Make sure that the top edge of the spillway is bubble level regardless of finish grade.
 - B. The pot should be located so that the pot base is 1" - 2" from the edge of the deck and that the lip of the spillway is over the water's edge and square to the water's edge of the pool. The further over the pool or basin edge will ensure less water splash on the deck.
 - C. That the PVC conduit / water line stubs are as centered as possible to the interior of the pot at the finalized location.
3. Once the location for the Pot and all conduit / water lines have been determined, remove the Pot and carefully store it out of the way until deck / mounting area is ready for actual installation.

After pouring deck material, trim both PVC pipe so that they are approximately 4" above top of grade level.

If the optional hold-down slots are to be utilized and once the pot's position is determined, use the included template to locate two, user provided (not included), ground / deck material specific screws or lag bolts – see Figure 1 & 2 for recommended size and location.

The screw / bolt locations will need to be at the **3 & 9** O' Clock positions relative to the pot's spillway orientation (Figure 2).

INSTALLING 12VAC, LOW VOLTAGE LINE

1. This Color Light Streams version comes with 100' of 12VAC, Low Voltage cord. This cord is not direct burial rated and must be installed in a waterproof PVC electrical conduit that runs to the equipment area where an appropriate, 12VAC, approved power source is located.
2. Feed cord in from the Pot end of the conduit to the equipment area. Be sure and leave approximately 3-4' of cable coiled up on the underside of pot. This will allow you to move the pot for winterization or installation of winter cover where required.
3. Seal conduit connection on the underside of pot with silicone or other water tight material to prevent moisture from entering conduit.
4. Connect the 12VAC, Low Voltage power cord to the approved transformer and test for function.



CONNECTING THE WATER SUPPLY LINE

You must flush water supply line clean of debris prior to installation of lighted pot.

The lighted pot comes with 3ft. of flexible tubing pre-attached to bubbler assembly. Simply glue the included 1" PVC coupler onto the 1" PVC water supply pipe. Check to ensure all water line connections and hose clamps are snug.

Final positioning of pot is done by lifting and twisting pot so that the cord and tubing on the underside of the pot is coiled so that excess material is contained underneath pot. If using the optional hold down slots, align and twist accordingly.

Pot Spillway edge should be positioned so that it is properly aligned to / over the water's edge.

Open water valve slowly to allow the pot to fill with water. Adjust valve for the desired flow and bubbler effect. ***Please note that if higher than recommended flow rates are used, the lighting effect may diminish, especially around the bubbler portion and may cause excess splashing or overfilling.***

FOR WINTERIZATION IN SOFT FREEZE AREAS, CALM CONDITONS

1. Shut off water supply flow at control valve by equipment.
2. Drain the Pot.
3. Blow the supply line clear of water from between the control valve and the Pot. It is imperative that no water remains in the line between the control valve at the equipment and the tip of the bubbler. Drain Pot basin one more time.
4. Apply a couple of wraps of Teflon tape to tip of bubbler to protect from scratches. Carefully slip the 1" cap on the bubbler tip to cover for the winter.

** If the optional Hold Down mounting slots have not been utilized, 3 to 4 towel wrapped bricks may be required to help provide enough weight to keep pot from blowing around in strong winds. If you are concerned that this may not be enough, either use the mounting slots or proceed to the instructions below for total removal.*

FOR WINTERIZATION IN HARD FREEZE AREAS, HARSH CONDITONS OR INSTALLATION OF WINTER COVER

1. Shut off water supply flow at control valve by equipment.
2. Drain the Pot.
3. If optional Hold Down slots were used, twist pot counter-clockwise 25 degrees.
4. Lift pot so that the hose clamp can be accessed at the bottom hose barb fitting.

BE CAREFUL WHEN LIFTING THAT YOU DO NOT BREAK FITTING.

5. Loosen hose clamp and remove hose from the bottom hose barb fitting and unscrew fitting from pipe.
6. Blow water line clear and plug pipe with 1" PVC threaded plug available at most hardware stores.
7. To remove the Pot from the area, you must disconnect the 12VAC, Low Voltage power line from the transformer and pull the total length of cord back to the Pot. Upon reinstallation you must re-pull cord from the Pot area and re-connect transformer as originally installed.
8. Carefully store the Pot and power cord away for the season. Reverse steps to re-install.

Figure 1

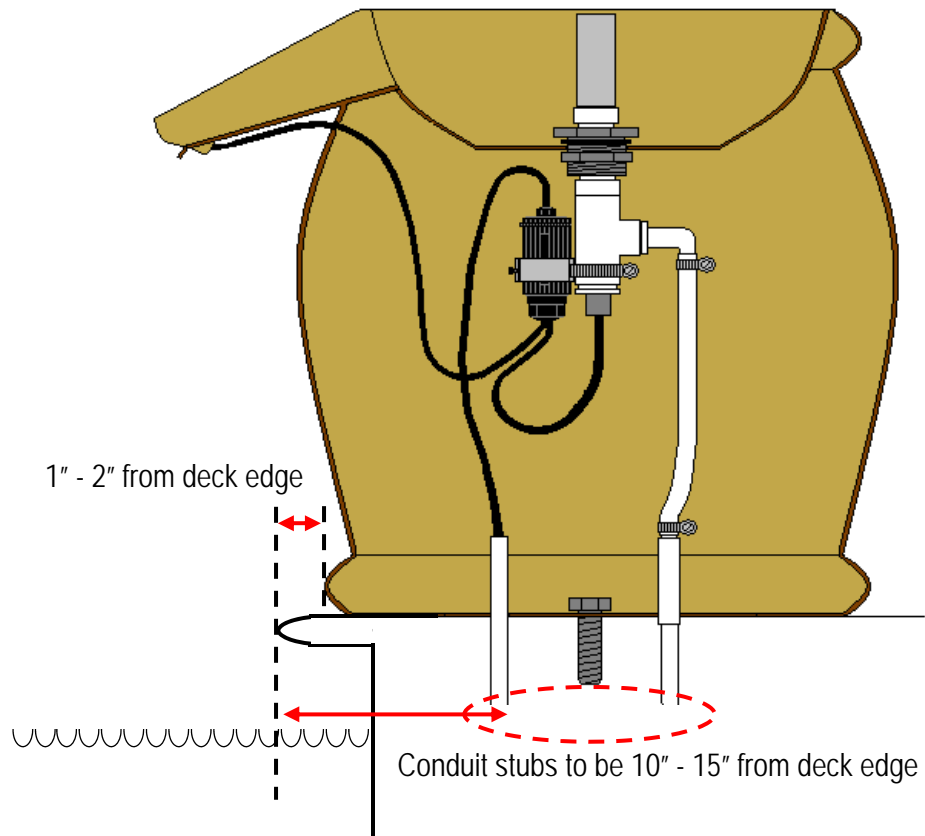
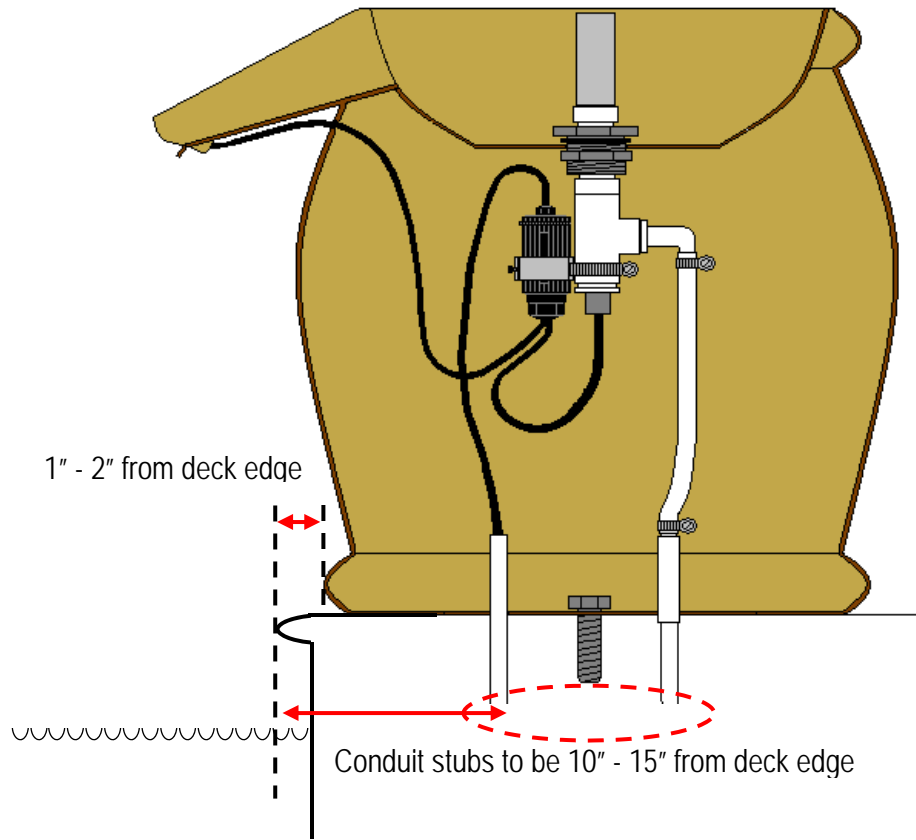


Figure 2

