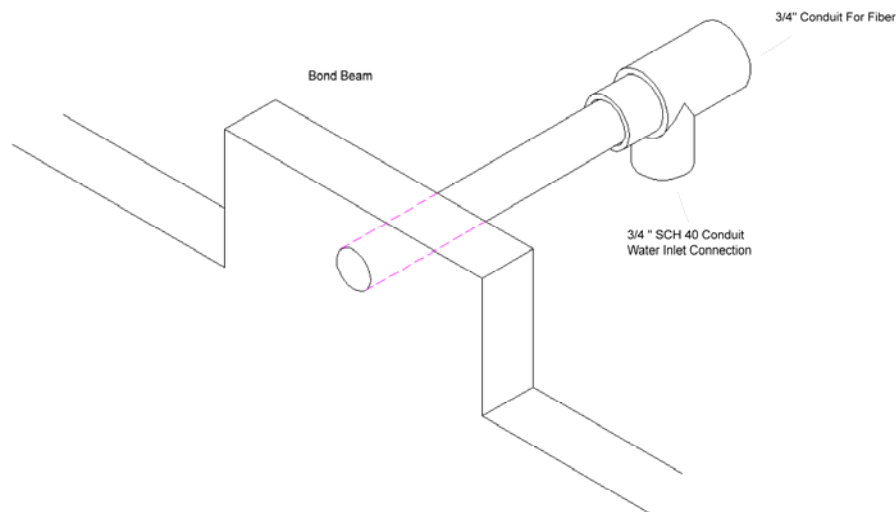


Fiberstars Aqua Accent Deluxe

(FAA-DL-45)

(45' of 50 strand Fiber)

Fiberstars Aqua Accent Deluxe is very simple device to provide lighted water for water features and wall sconces. The Aqua Accent Deluxe is pre-assembled for easy connection to a water supply line and a conduit connection for the fiber. The fiber is already connected to the Aqua Accent Deluxe and comes with 45 feet of 75 strand fiber pre-attached.



Note: DO NOT INSTALL THE AQUA ACCENT DELUX TIP MORE THAN 4" THROUGH THE GUNITE SURFACE AREA. THE INTERIOR OPTIC ROD IS 4 3/4" DOWN FROM THE TIP'S TOP AND WILL BE DAMAGED IF TRIMMED FOR FLUSH INSTALLATIONS BELOW THIS LEVEL.

Installation Directions

1. The Aqua Accent Deluxe is designed to be installed during the gunite phase of the pool building.
2. Two conduits should be run to the Aqua Accent Deluxe:
 - A. 1 1/2" PVC pipe for water supply and
 - B. 3/4" conduit for fiber
3. The pipe supplying the water to the Aqua Accent Deluxe should have a gate valve or ball valve installed to adjust the water supply flow.
4. The conduit for the fiber optic cable should be run to the Fiberstars illuminator and installed per directions included with the illuminator.

Note: If using multiple units, it is very important that all fiber lengths are the same. Example: If you have 1 unit at 20' and another at 45' both should have 45' of fiber This will balance the light output to both units. Do not remove excess fiber lengths.