



## **Lighted Super Bubbler Kit Gunite SBK-45**

(150 strands of Fiber per Bubbler)

### **SAVE THESE INSTRUCTIONS!**

Fiberstars Lighted Super Bubbler is a very simple device to provide lighted water for small fountains and sun shelf areas. The Lighted Super Bubbler is preassembled for easy connection to a water supply line and a conduit connection for the fiber. The fiber is already connected to the bubbler and comes with 45 feet of pre-attached fiber that will need to be ported into a fiber illuminator such as a Fiberstars 2000 or 6000 Series fiber illuminator.

#### **IMPORTANT:**

Read and follow all safety and installation instructions carefully.

**Read instructions completely before start of installation!**

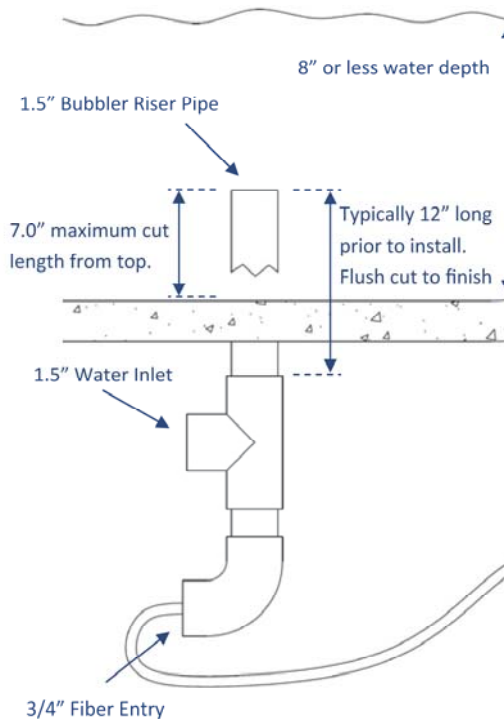
Fiberstars recommends at least a 1.0" or larger PVC conduit for the fiber optic cable to be run from the illuminator to the bubbler and should not exceed 40'. A reducer will be required to terminate to the ¾", female conduit connector. **DO NOT USE ¾"**

**CONDUIT FOR ENTIRE LENGTH.** It will be extremely difficult to pull the 150 strand fiber through ¾" conduit without damage.

You now are set to start enjoying the wonderful lit Water Features manufactured by Fiberstars.

## Installation Directions

1. The Lighted Super Bubbler is designed to be installed during the gunite phase of the pool building. \* **For hard freeze areas that require winterization, please see page 3 for special considerations.**
2. Two conduits should be run to the bubbler:
  - a. qty 1 -- 1½" PVC pipe for water supply, 14-18 GPM minimum.
  - b. qty 1 -- 1 to 1½" PVC conduit back to fiber illuminator with ¾" reducer bushing.
3. The water supply pipe should have a gate valve or ball valve installed to adjust the water supply flow at the equipment pad.
4. The conduit for the fiber optic cable should run to the Fiberstars fiber illuminator no more than 40' from the bubbler and installed per direction included with the illuminator.



The Lighted Super Bubbler is designed so that the tip of the bubbler is approximately 4-8 inches underwater but can be deeper as long as the water supply volume can be increased.

Keep in mind that the deeper the tip is underwater the less the lighting effect will be above the water.



## **IMPORTANT NOTICE**

Note: DO NOT INSTALL THE BUBBLER TIP MORE THAN 4 INCHES ABOVE THE GUNITE SURFACE AREA. THE INTERIOR OPTIC ROD IS 4 ¾" DOWN FROM THE TIP'S TOP AND WILL BE DAMAGED IF TRIMMED FOR FLUSH INSTALLATIONS BELOW THIS LEVEL.

***\* For hard freeze areas that require winterization procedures, the Super Bubbler will require the use of the 1.5" slip / thread adapter glued on after the trimming the 1.5" riser pipe. The bubbler plumbing will also need to be installed 1.25" – 1.50" deeper to allow for the additional total height of the unit. Once installation is complete, winterization can then be performed by blowing the lines clear, adding pool antifreeze additive, and capping with a standard 1.5" male NPT plug.***

Fiberstars recommends that during installation the Lighted Super Bubbler tip is capped off with the included cap (unglued) or tape, etc. so that no debris gets into the internal area of the bubbler.

The Lighted Super Bubbler may be installed in many different methods and applications, such as:

1. Flush with interior surface (described above)
2. Raised off the surface area but with the tip under the water surface – typically fountains
3. Raised above the water surface – typically fountains

After connecting the fiber to the fiber illuminator, and the completion of all steps indicated above, turn on the water supply.

Adjust the water volume to achieve the desired water flume/lighting effect.

**NOTE: LIGHTING EFFECT IS ONLY 10-12 INCHES MAXIMUM  
Effect will greatly depend on GPM water flow.  
Recommend 14-16 GPM minimum when mounted under water surface,  
less when used as an out of water fountain application.**

For additional questions please contact Fiberstars Customer Service Pool & Spa Division.