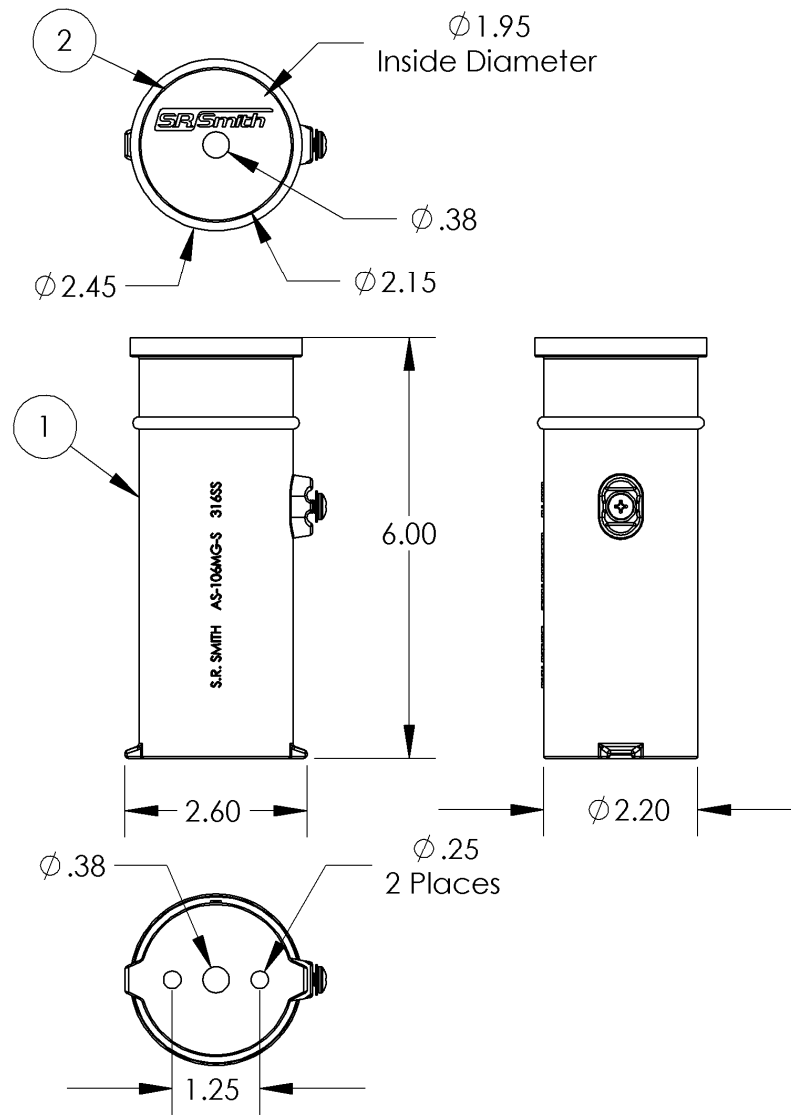


1.9" Marine Grade Stainless Steel Stanchion Anchor Socket



Specification: The 1.9" Marine Grade Stainless Steel Stanchion Anchor Socket (Item 1) is made of 316 stainless steel and is 6" (152.4mm) deep, allowing for mounting 1.90" O.D. (48.3mm) fixtures without the use of a wedge assembly. The anchor is tapped for the provided #10 UNC brass grounding screw. A marine grade stainless steel cap (Item 2) is provided to mount flush with the deck when the fixture is removed.

Shipping Weight: 2.2 lbs [1.0kg] (ea)

Specification Number:	SRS-924	
Product Description:	1.9" Marine Grade Stainless Steel Anchor Socket	
S.R. Smith Part Number:	AS-106MG-S	
Revision:	A	Date: 4/22/16
Written By:	Mikha Kaiel	Date: 4/22/16
Approved By:	B. Svendsen	Date: 4/24/16
Page 1 of 1	Proprietary and confidential: The information contained in this specification is the sole property of S.R. Smith LLC. Any reproduction in part or whole without the written consent of S.R. Smith LLC is prohibited.	
	COPYRIGHT © 2013 S.R. SMITH, LLC.	

S.R. Smith, LLC
P.O. Box 400, 1017 SW Berg Parkway
Canby, Oregon 97013
Tel: (800) 824-4387 (503) 266-2231
Fax: (503) 266-4334
www.srsmith.com