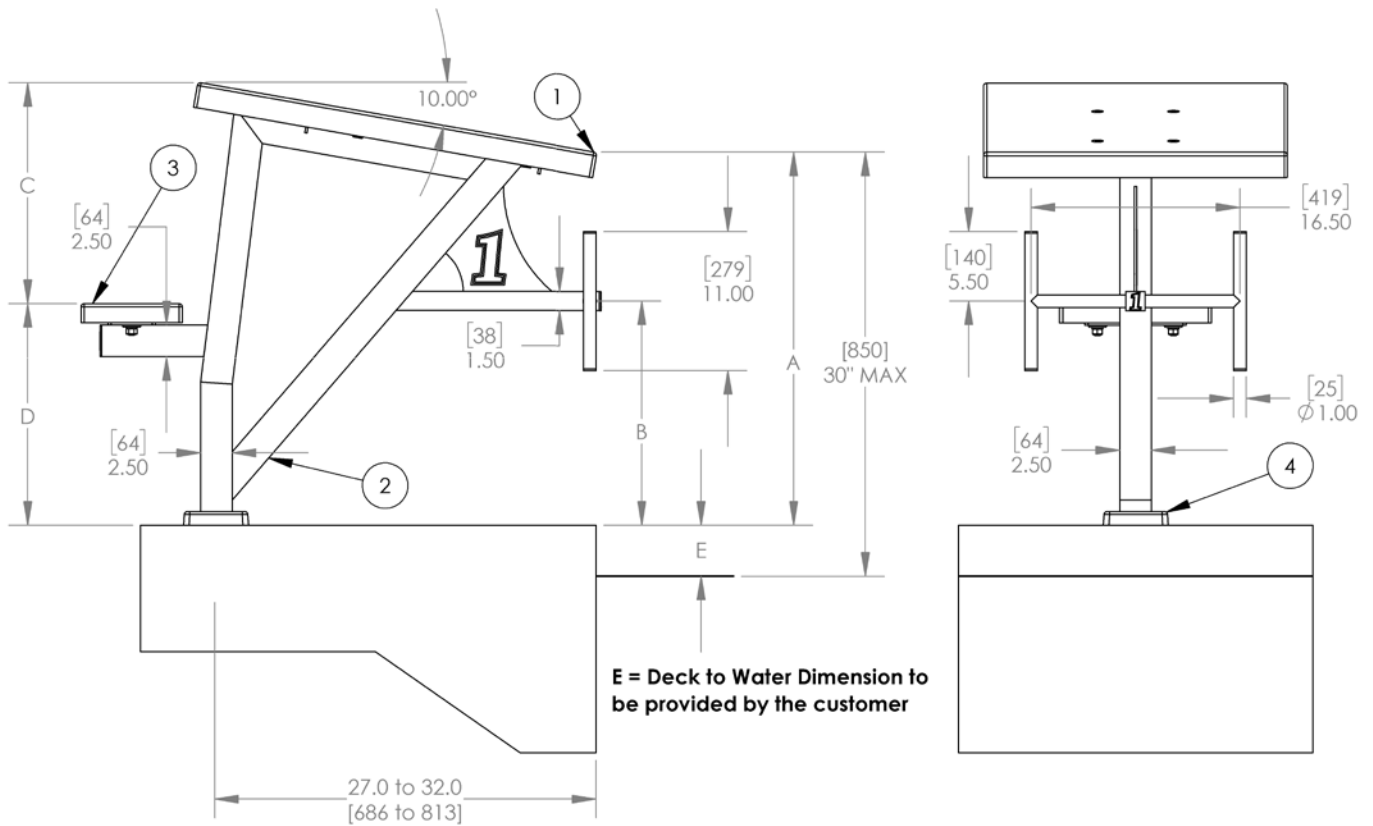


Legacy Mid Range Starting Platform



Specification Number:	SRS-318	
Product Description:	Legacy Mid Range Starting Platform	
S.R. Smith Part Number:	LGCYL1-SP-9999A	
Revision:	A	Date:
Written By:	D. Taughinbaugh	Date: 04/20/17
Approved By:	M. Kaiel	Date: 04/20/17
Page 1 of 1	Proprietary and confidential: The information contained in this specification is the sole property of S.R. Smith LLC. Any reproduction in part or whole without the written consent of S.R. Smith LLC is prohibited.	

S.R. Smith, LLC
 P.O. Box 400, 1017 SW Berg Parkway
 Canby, Oregon 97013
 Tel: (888) 677-7776 (503) 266-2231
 Fax: (503) 266-4334
www.srsmith.com



Product Specifications - Written

Product Name: Legacy Mid Range

Part Number: LGCYL1-SP-9999A

General Notes: The weldment frame is stainless steel, which is powder coated for corrosion resistance. This platform can be fabricated to fit most any pool deck and water height dimension. The RockSolid® anchor (patent #8033077) includes an adjustable wedge that is designed to exert continuous, even pressure on the post to eliminate movement.

Application: Depending upon installation design and local codes, this model is suitable for use on competitive pools. The deck to water level dimension and desired setback determine what configuration should be ordered.

Specifications:

- 1 Platform Top Construction: Platform top is constructed with a smooth, durable gel-coat finish over a fiberglass and composite core. The surface of the Legacy Mid Range features sand tread. Sand tread can be offered with custom tread colors or logos. The platform is mounted onto the weldment frame at a 10° angle. Dimensions are 28" x 32" (711mm x 813 mm), with a 24" x 32" (610mm x 813mm) tread surface.
- 2 Platform Frame: The Legacy Mid Range platform frame is constructed of 2.5 in² (63.5mm²) x .120 in (3.05mm) wall stainless steel tubing. The backstroke bar is attached to 1.5 in² (38mm²) x .065 in wall (1.65mm) stainless steel tubing and has a cap welded to the end. A backstroke bar constructed of 1.00" O.D. x .065 wall (25.40mm x 1.65) stainless steel tubing is also capped with stainless steel. The gussets and footboard plate are made of .188" (4.76mm) stainless steel. The frame is powder coated for added corrosion resistance in four standard colors. Custom colors are also available for an additional fee.
- 3 Step: Large, molded step with smooth, durable gel-coat finish and cross-woven fiberglass over a composite core for structural support. Step features sand tread footing surface. Dimensions are 8" x 12" (203mm x 304mm).
- 4 Escutcheon: The square escutcheon plate is stamped from .063" (.58mm) polished 304 stainless steel, powder coated to match the platform frame. The outer dimensions are 5" x 5" x 1/2 (127mm x 127mm x 12.7mm).
- 5 RockSolid™ Anchor: (p/n 27-107, not shown see SRS-920 spec sheet). This single post anchor assembly is specially designed to prevent rocking and the liner can be replaced when worn. The assembly consists of a housing constructed of 4.00 in² (101.6 mm²) x .120" wall (3.05mm) stainless steel tubing welded onto a 4.5 in² (114.30mm²) flange. The anchor is threaded and comes with a 1/4-20 UNC stainless steel grounding screw for bonding. The insert is made of urethane resin to facilitate removal of the platform. A flush mount stainless steel cap is provided to use when the platform is temporarily removed.

Specification Number:	SRS-318		S.R. Smith, LLC P.O. Box 400, 1017 SW Berg Parkway Canby, Oregon 97013 Tel: (888) 677-7776 (503) 266-2231 Fax: (503) 266-4334 www.srsmith.com
Product Description:	Legacy Mid Range		
S.R. Smith Part Number:	LGCYL1-SP-9999A		
Revision:	A	Date:	
Written By:	D. Taughinbaugh	Date: 04/20/17	
Approved By:	M Kaiel	Date: 04/20/17	
Page 2 of 2	Proprietary and confidential: The information contained in this specification is the sole property of S.R. Smith LLC. Any reproduction in part or whole without the written consent of S.R. Smith LLC is prohibited.		