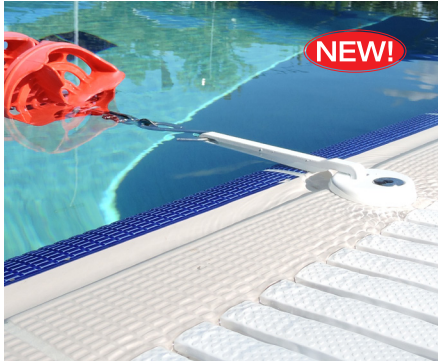


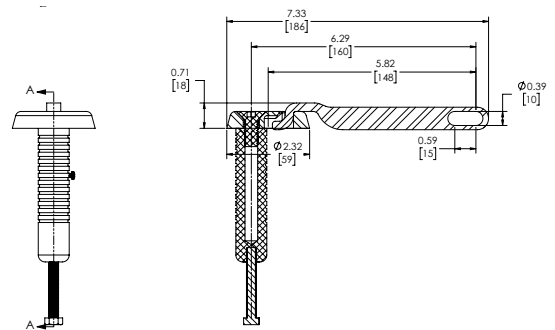
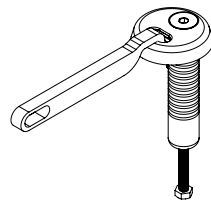
Lane Line Anchor for Overflow Pools



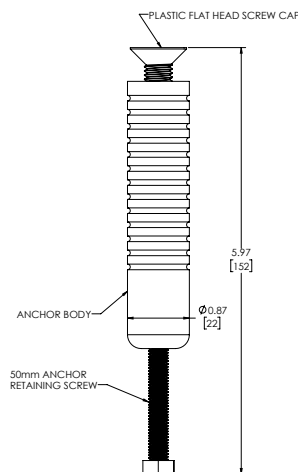
- Low profile lane line anchor for use on pools with overflow gutters
- Helps keep lane lines on the surface for better wave quelling
- Marine-grade, 316 stainless steel that's vinyl coated for extra protection
- 6-inch and 8-inch lengths
- ChemSet anchor kit included

Model #	Description
17-61-140S	Lane line anchor, 6-inch stainless steel
17-61-200S	Lane line anchor, 8-inch stainless steel

6-inch Anchor



ChemSet Anchor



8-inch Anchor

