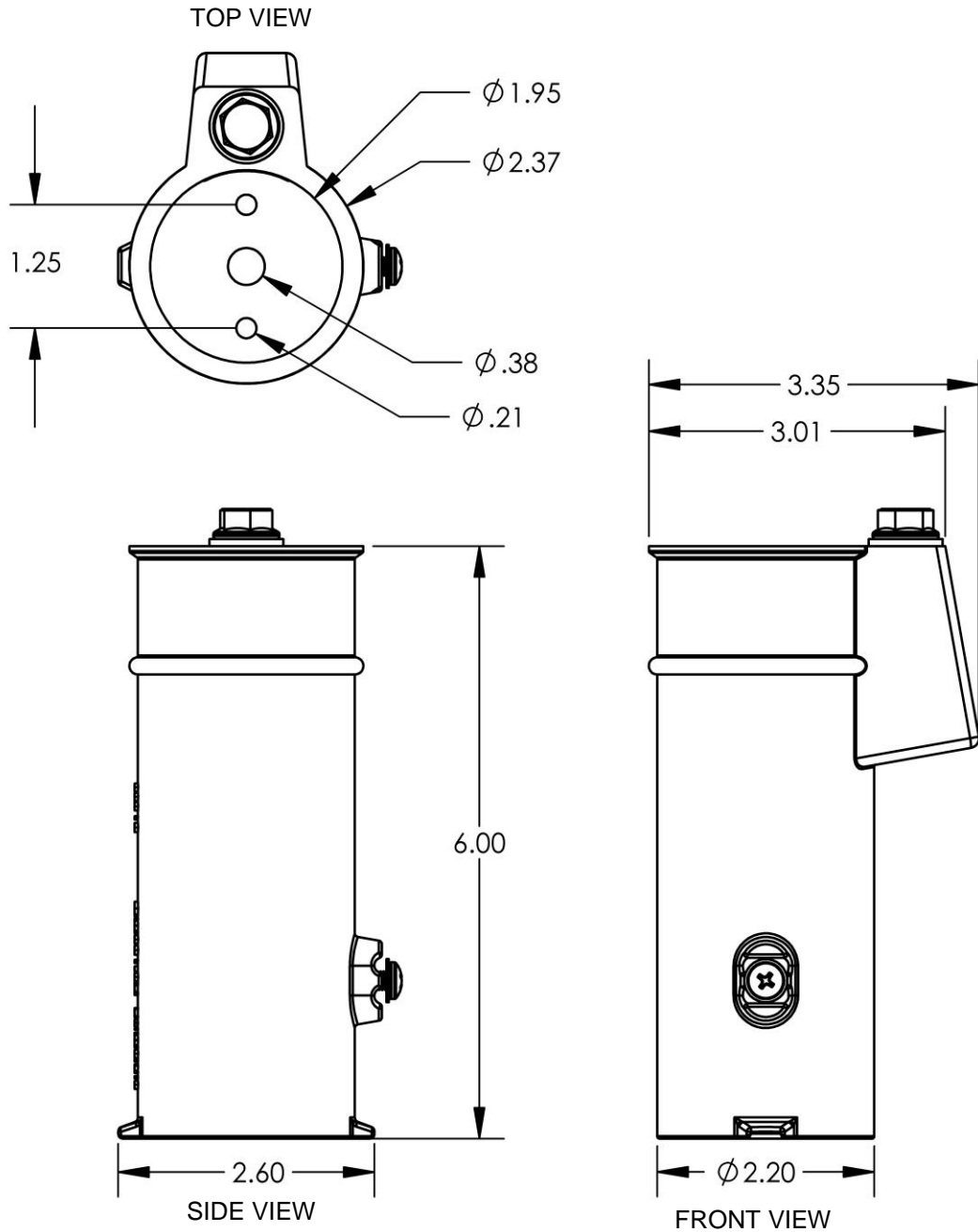


1.9" Marine Grade Stainless Steel Anchor Socket



Specification: The 1.9" Marine Grade Stainless Steel Anchor Socket assembly includes a 6" (152.4 mm) deep cast 316 stainless steel socket and secures fixtures by means of a bronze wedge assembly. The anchor is intended for moderate to heavy-duty commercial use. It is threaded and comes with a #10 UNC brass grounding screw for bonding.

Shipping Weight: 1.86 lbs [0.85 kg] (ea)

Specification Number:	SRS-948		
Product Description:	1.9" Marine Grade Stainless Steel Anchor Socket		
S.R. Smith Part Number:	AS-106MG	Scale:	NTS
Revision:	A	Date:	06/05/19
Written By:	Z. Boyer	Date:	06/05/19
Approved By:	M. Kaiel	Date:	06/05/19
Page 1 of 1	Proprietary and confidential: The information contained in this specification is the sole property of S.R. Smith LLC. Any reproduction in part or whole without the written consent of S.R. Smith LLC is prohibited.		

S.R. Smith, LLC
P.O. Box 400, 1017 SW Berg Parkway
Canby, Oregon 97013
Tel: (800) 824-4387 (503) 266-2231
Fax: (503) 266-4334
www.srsmith.com