



GARDEN RIDE PRE-CONFIGURED CUSTOM SLIDES

Garden Ride Pre-Configured Custom Slides are designed to be built into custom pool side landscape with limited space. Featuring an easy to assemble two-piece flume available in 10' or 15' lengths, the Garden Ride offers hours of custom splashing fun. The advanced water delivery system, a deep and wide runway, and multiple color options make it ideal for range of pool configurations.

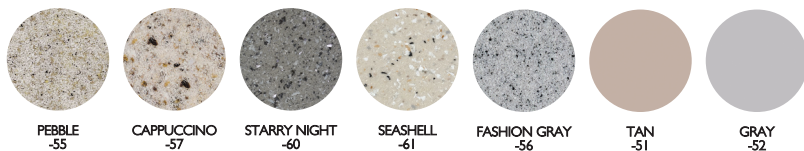


- Right and left turn slides
- 350 pound weight limit
- Discreet zoom flume water delivery system with perfectly matching cover plate (20 - 40 gpm)
- No quote process needed - easy to order
- Matching powder coated handrails are standard
- Available in assorted colors and visual textures
- Color matching products include: T7 Diving System, Destination Series In-Pool Furniture

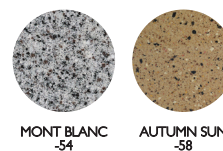
PART #	DESCRIPTION
GRS10-CL-XX-C	10' Garden Ride - LEFT
GRS10-CR-XX-C	10' Garden Ride - RIGHT
GRS10-ANCHOR SYSTEM	10' Garden Ride Anchoring System - LEFT OR RIGHT
GRS15-CL-XX-C	15' Garden Ride - LEFT
GRS15-CR-XX-C	15' Garden Ride - RIGHT
GRS15-ANCHOR SYSTEM	15' Garden Ride Anchoring System - LEFT OR RIGHT

REPLACE THE XX IN THE PART NUMBERS TO INDICATE COLOR CODE WHEN ORDERING.

STANDARD COLORS

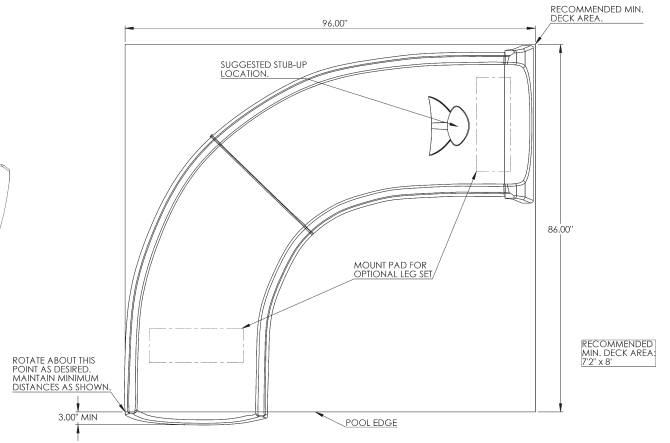
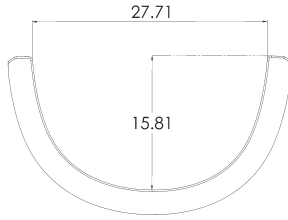
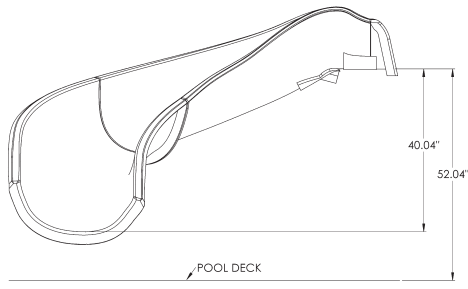


SPECIAL ORDER COLORS*

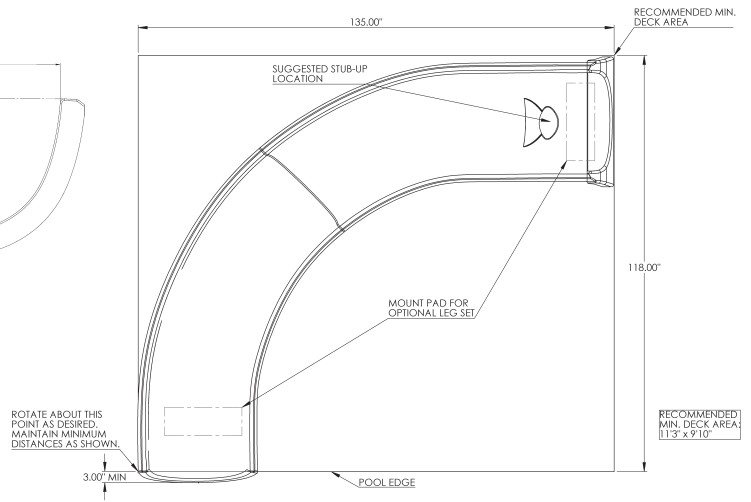
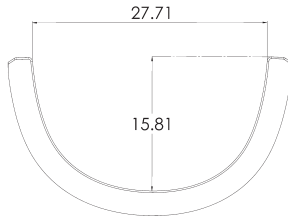
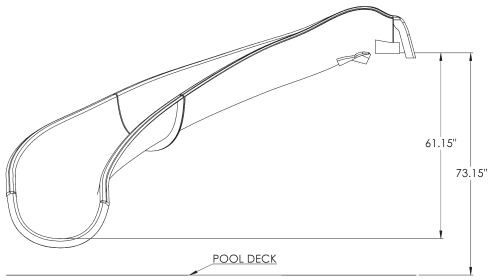


*Special Order Colors may result in longer lead times. Contact Customer Service for more information.

10' GARDEN RIDE (left curve shown)
 Part # GRS10-CL-XX
 comes w/ stainless steel hardware and support system



15' GARDEN RIDE (left curve shown)
 Part # GRS15-CL-XX
 comes w/ stainless steel hardware and support system



To ensure you have the most current version of this publication, please visit our website.



S.R.Smith, LLC
 800.824.4387
 srsmith.com