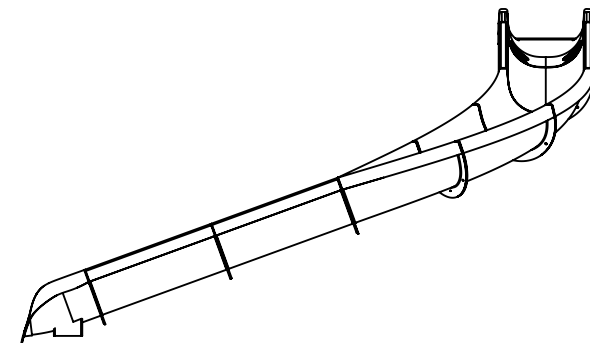
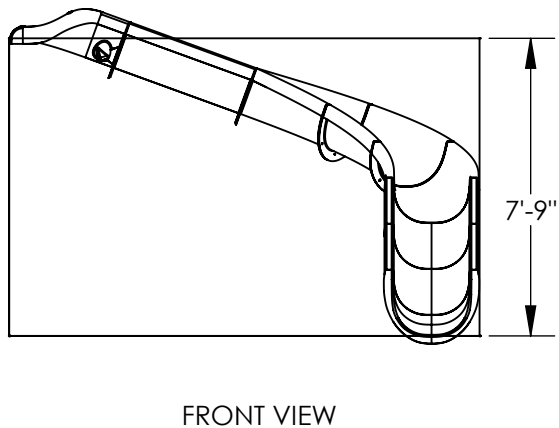


ISOMETRIC VIEW
NOT TO SCALE



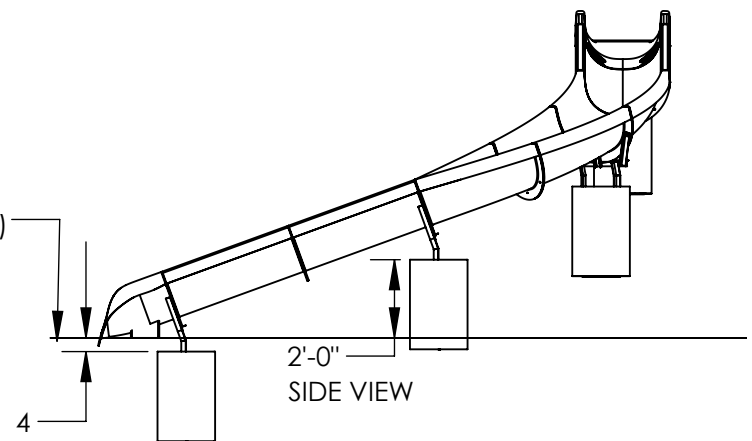
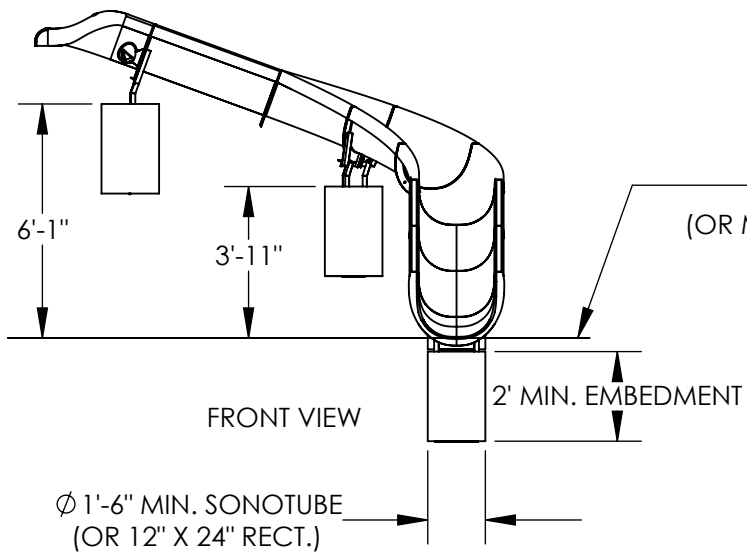
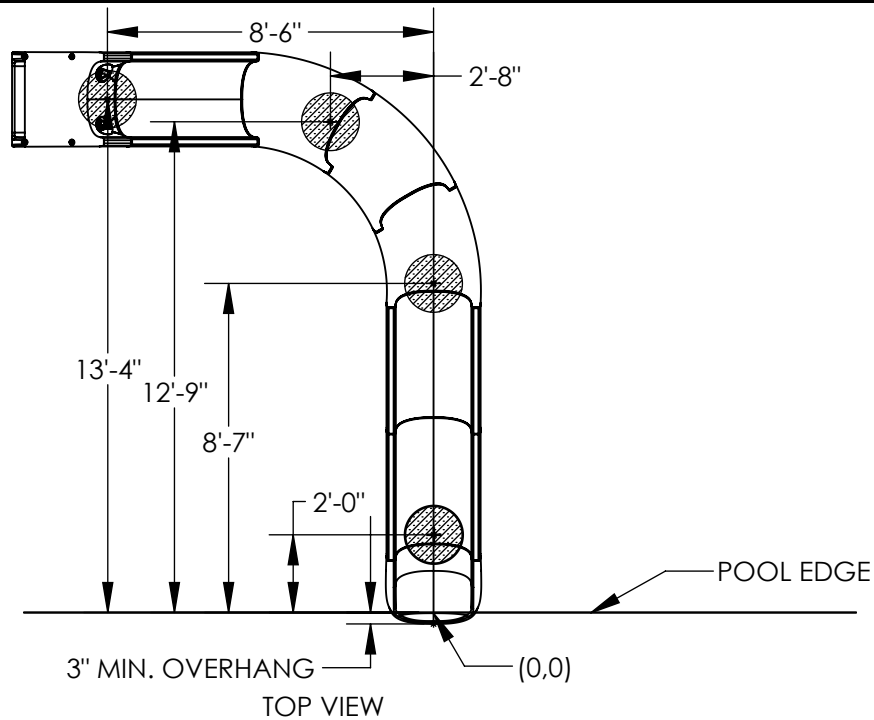
SIDE VIEW

DESCRIPTION: 24 LF RIVER RUN SLIDE RIGHT TURN, "A" DWG FILE FOR USE	
MATERIAL: FIBERGLASS-REINFORCED VINYL ESTER	
PART NO.: RRS24A-CR	REV. A0
DRAWN BY: CMR	DATE: 6/30/2020
CHECKED BY:	DATE:

SR SmithTM

P.O. BOX 400 - 1017 S.W. BERG PARKWAY
CANBY, OREGON 97013
PHONE (503) 266-2231

SIZE: A	SCALE: 1:60	SHEET 1 OF 2
------------	-------------	--------------



DESCRIPTION: 24 LF RIVER RUN SLIDE RIGHT TURN, "A" DWG FILE FOR USE	
MATERIAL: FIBERGLASS-REINFORCED VINYL ESTER	
PART NO.: RRS24A-CR	REV. A0
DRAWN BY: CMR	DATE: 6/30/2020
CHECKED BY:	DATE:

SR Smith™

P.O. BOX 400 - 1017 S.W. BERG PARKWAY
CANBY, OREGON 97013
PHONE (503) 266-2231

SIZE: A	SCALE: 1:60	SHEET 2 OF 2
------------	-------------	--------------