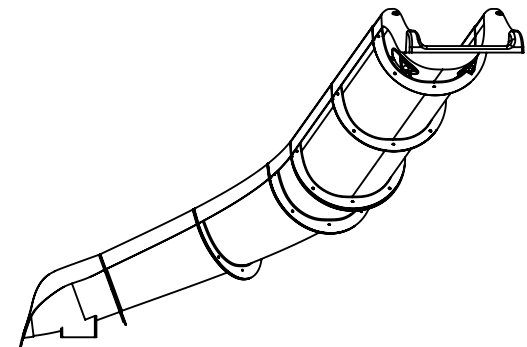
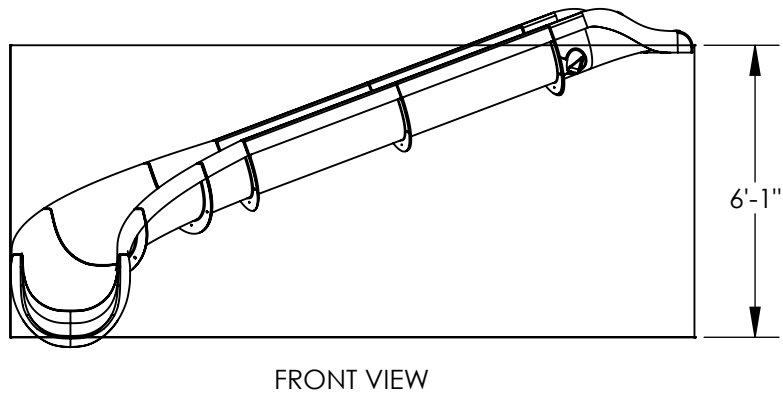


ISOMETRIC VIEW
NOT TO SCALE

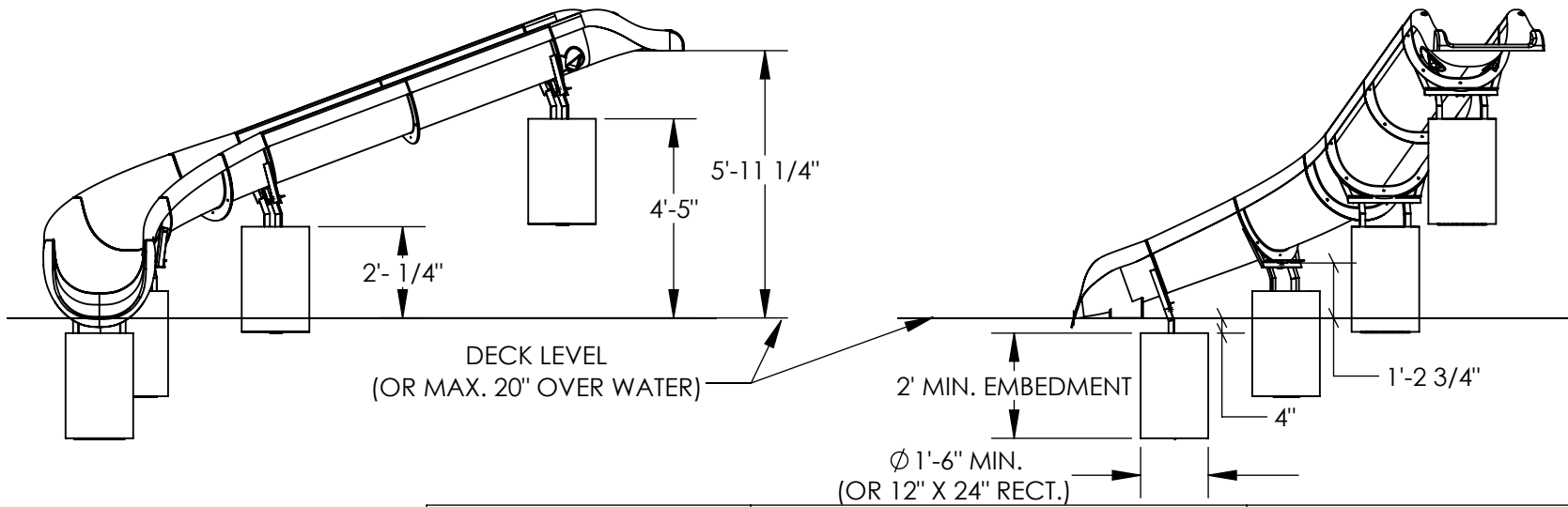
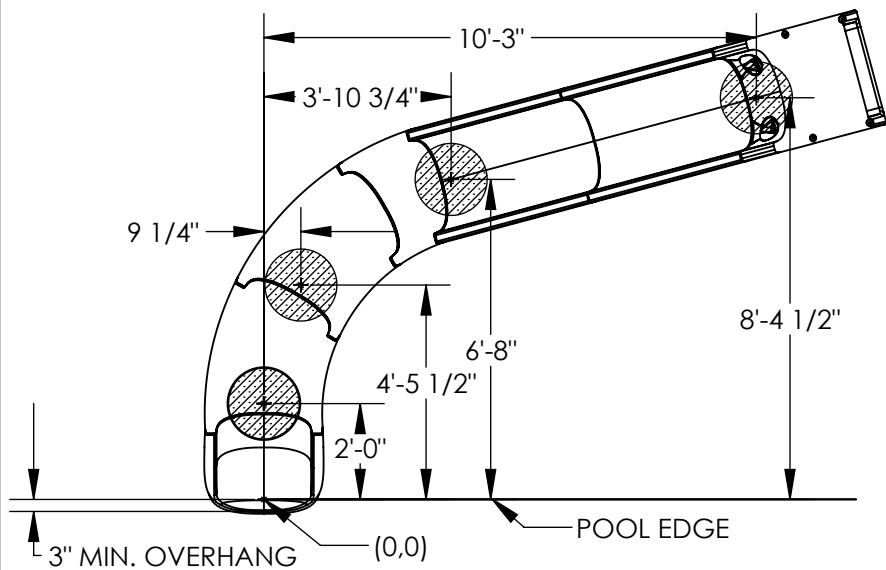


SIDE VIEW

DESCRIPTION: 19 LF RIVER RUN SLIDE LEFT TURN, "A" DWG FILE FOR USE	
MATERIAL: FIBERGLASS-REINFORCED VINYL ESTER	
PART NO.: RRS19A-CL	REV. A0
DRAWN BY: CMR	DATE: 6/24/2020
CHECKED BY:	DATE:



P.O. BOX 400 - 1017 S.W. BERG PARKWAY
CANBY, OREGON 97013
PHONE (503) 266-2231



UNLESS OTHERWISE SPECIFIED
DIMENSIONS ARE IN INCHES,
TOLERANCES ARE:
FRACTIONAL: ±1/8
ANGULAR: ±1°
TWO PLACE DECIMAL: ±.06
THREE PLACE DECIMAL: .. ±.031

DESCRIPTION: 19 LF RIVER RUN SLIDE LEFT TURN, "A"	
MATERIAL: FIBERGLASS-REINFORCED VINYL ESTER	
PART NO.: RRS19A-CL	REV. A0
DRAWN BY: CMR	DATE: 6/24/2020
CHECKED BY:	DATE:

SR Smith™
P.O. BOX 400 - 1017 S.W. BERG PARKWAY
CANBY, OREGON 97013
PHONE (503) 266-2231