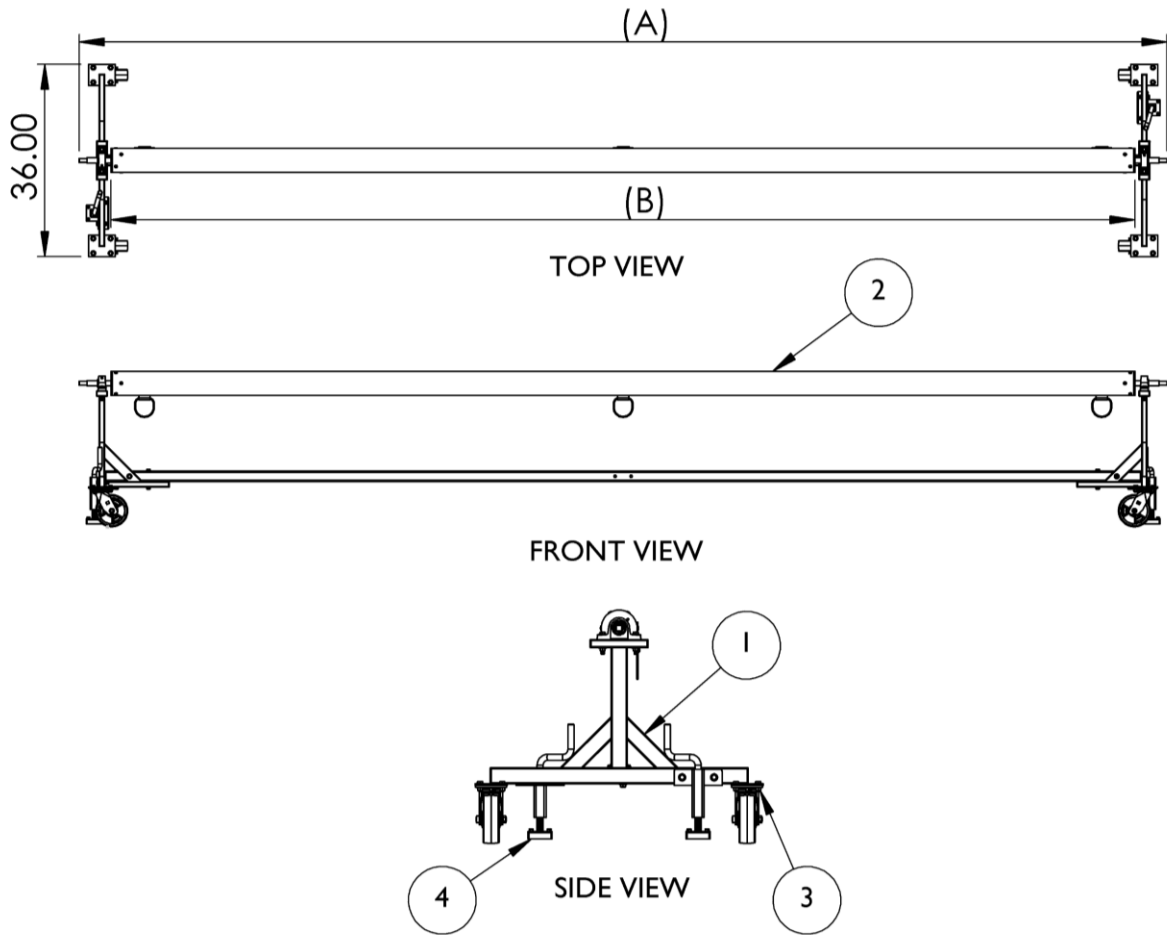




Product Part Number(s):
T15-16, T15-19, T15-20
Product Description:
EnergySaver Storage Reel

DRAWN SPECIFICATIONS



T15-16 SHOWN, NOT TO SCALE

MODEL NUMBER	REEL END-TO-END LENGTH (A)	MAX. COVER LENGTH (B)
T15-16	17'	16
T15-19	20'	19'
T15-20	21'	20'



Product Part Number(s):
T15-16, T15-19, T15-20
Product Description:
EnergySaver Storage Reel

WRITTEN SPECIFICATIONS

Description

S.R.Smith's storage reel system revolves around the principle idea of modularity, interchangeability, high strength, non-corrosive components, excellent mobility, reliable, ease of use and fit all specified pool cover sizes.

① Structure:

- Support frame shall consist of type 304 stainless steel (SS304), ASTM-554, 1 1/2" square 11-gauge tubing (0.125" wall thickness), strengthened with structural tube gussets welded on two sides of each vertical support. The 1 1/2" square tubing shall be bent, miter cut, and welded together.
- Base plate, 1/4" thick, SS304, welded to the bottom of the support frame shall provide strong foundation for wheel-caster assemblies and connector tubing.
- Support frame connector shall consist of SS304, ASTM-554, 1 1/2" square 11 gauge tubing.

② Winding Reel:

- Shall consist of 4 1/2" OD, 11 gauge (0.125" wall thickness), SS304, ASTM-554 tubing concentrically supported by solid 1" OD X 5 3/4" long round shaft with machined squared end securely welded to 1/4" thick tube end cap. Shaft shall be compatible with S.R.Smith's automatic motorized re-winder, the EOS.
- Winding reels longer than 20' long shall have center reinforcement to help support the added weight of pool cover(s) and to prevent bowing or bending.
- Tube end caps and all connector points on the winding reel shall be securely fastened with 1/4" non-corrosive, stainless steel blind rivets.
- 100% stainless steel pillow block with 1" bore roller bearings. Bearing housing shall be equipped with zerk fitting for lubrication. Military spec. stainless steel hardware shall be provided with the bearings.

③ Mobility:

- Shall be provided by four (4), single-piece construction, 60 durometer, solid one-piece urethane wheels, assembled to SS304, heavy duty, 1,650 lb load capacity, swivel casters. SS304 axle and self-lubricating and non-corrosive Delrin bearings and bushing shall be used to assemble the wheels and casters together.

④ Restraining/Braking Device:

- All stainless steel, high strength, fast turning, Acme threaded nut and screw housed in SS304 tubing and supported SS304 bracket, installed diagonally at each end of the storage reel shall provide the necessary lift to halt storage reel movements. Contact pad shall be self-adjusting for uneven terrain and be made of 3/4" thick, 9" square, long wearing UHMW-PE material fastened to 1/4" thick, 9" square, SS304 plate with SS304 hardware.



Product Part Number(s):
T15-16, T15-19, T15-20
Product Description:
 EnergySaver Storage Reel

Winding Tool:

- Shall be made of SS304, 11 gauge (0.125”) wall thickness, ASTM-554, 1” X 1” X 13” long structural tube welded to 1” X 1” tubing.

Hardware:

- All 100% SS304 3/8”-16 thread.
- All 100% SS304 1/4” diameter blind rivets.

Product Numbers and Shipping Weights:

MODEL NUMBER	DESCRIPTION	SHIPPING WEIGHT
T15-16	EnergySaver T15 Series Storage Reel, 16’ Wide	155 lbs (70 kg)
T15-19	EnergySaver T15 Series Storage Reel, 19’ Wide	178 lbs (81 kg)
T15-20	EnergySaver T15 Series Storage Reel, 20’ Wide	185 lbs (84 kg)

Specification Number:	SRS-1104		S.R. Smith, LLC 1017 SW Berg Parkway Canby, Oregon 97013 Tel: 1 (800) 824-4387 www.srsmith.com
Product Description:	THERMAL POOL COVER STORAGE REELS		
S.R. Smith Part Number:	T15-16, T15-19, T15-20		
Revision:	AI	Date: 7/30/2020	
Written By:	H. Tunggal	Date: 3/16/2017	
Approved By:		Date:	
Proprietary and confidential: The information contained in this specification is the sole property of S.R. Smith LLC. Any reproduction in part or whole without the written consent of S.R. Smith LLC is prohibited.			