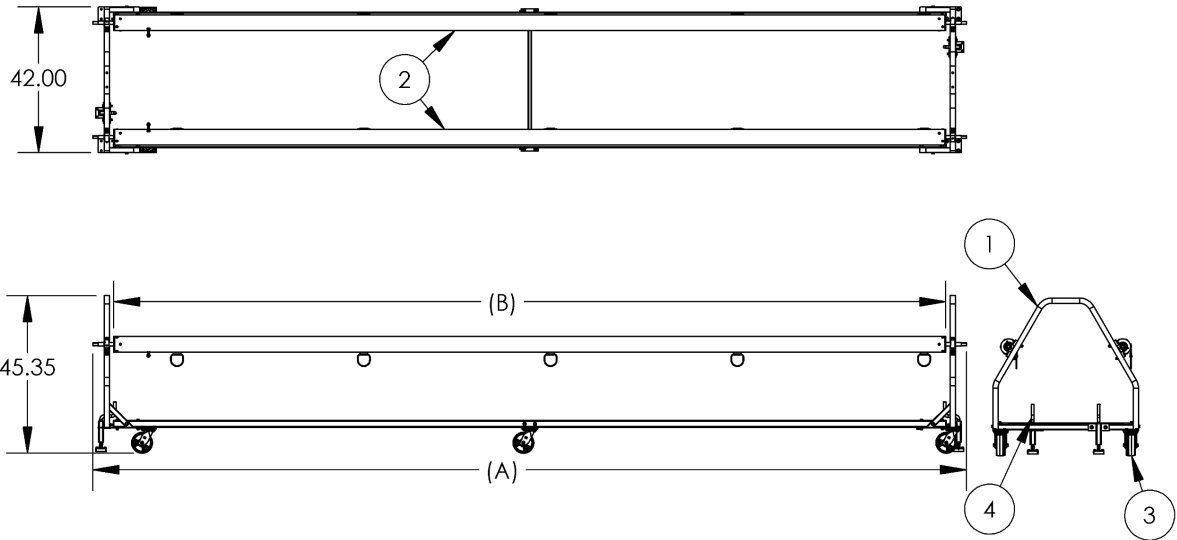




**Product Part Number(s):**  
T32-16 to T32-21  
**Product Description:**  
EnergySaver Storage Reel

## DRAWN SPECIFICATIONS



T32-20 SHOWN, NOT TO SCALE

MODEL NUMBER	END-TO-END REEL LENGTH* (A)	MAX. COVER WIDTH (B)
T32-16**	17'	16'
T32-17**	18'	17'
T32-18	19'	18'
T32-19	20'	19'
T32-20	21'	20'
T32-21	22'	21'

\* Custom reel widths are available through the thermal pool cover quoting process.

\*\* T32-16 AND T32-17 have THREE (3) tabs on the reel instead of the FIVE (5) shown.



**Product Part Number(s):**

T32-16 to T32-21

**Product Description:**

EnergySaver Storage Reel

## WRITTEN SPECIFICATIONS

### Description

T-Star's storage reel system revolves around the principle idea of modularity, interchangeability, high strength, non-corrosive components, excellent mobility, reliable, ease of use and fit all specified pool cover sizes.

#### ① Structure:

- Triangular support frames shall consist of Type 304 stainless steel (SS304), ASTM-554, 1 1/2" X 1 1/2", 11-gauge tubing (0.125" wall thickness), strengthened with structural tube braces/gussets welded on all four corners. The 1 1/2" square tubing shall be bent, miter cut, and welded together.
- Base plate, 1/4" thick, SS304, welded to the bottom of the triangular support frame shall provide strong foundation for wheel-caster assemblies and connector tubing.
- Support frame connectors and center cross brace shall consist of 1 1/2" X 1 1/2", SS304, ASTM-554, 11 gauge tubing.
- Structure is thermoset powder coated Silver Gray.

#### ② Winding Reel:

- Shall consist of two 4 1/2" OD, 11 gauge (0.125" wall thickness), SS304, ASTM-554 tubes concentrically supported by solid 1" OD X 5 3/4" long round shaft with machined squared end securely welded to 1/4" thick tube end cap. Shaft shall be compatible with T-Star's automatic motorized re-winder, the EOS.
- Winding reels longer than 20' long shall have center reinforcement to help support the added weight of pool cover(s) and to prevent bowing or bending.
- Tube end caps and all connector points on the winding reel shall be securely fastened with 1/4" non-corrosive, stainless steel blind rivets.
- 100% stainless steel pillow block with 1" bore roller bearings. Bearing housing shall be equipped with zerk fitting for lubrication. Military spec. stainless steel hardware shall be provided with the bearings.

#### ③ Mobility:

- Shall be provided by six (6), single piece construction, 60 durometer, solid one-piece urethane wheels, assembled to SS304, heavy duty, 1,650 # load capacity, swivel casters. Stainless steel axle and self-lubricating and non-corrosive Delrin bearings and bushing shall be used to assemble the wheels and casters together.

#### ④ Restraining/Braking Device:

- All stainless steel, high strength, fast turning, Acme threaded nut and screw housed in SS304 tubing and supported SS304 bracket, installed diagonally at each end of the storage reel shall provide the necessary lift to halt storage reel movements. Contact pad shall be self-adjusting for uneven terrain and be made of 3/4" thick, 9" square, long wearing UHMW-PE material fastened to 1/4" thick, 9" square, SS304 plate with SS304 hardware. Brake housing is thermoset powder coated Silver Gray.



**Product Part Number(s):**

T32-16 to T32-21

**Product Description:**

EnergySaver Storage Reel

**Winding Tool:**

- Shall be made of SS304, 11-gauge (0.125”) wall thickness, ASTM-554, 1” X 1” X 13” long structural tube welded to 1” X 1” tubing. Winding tool housing is thermoset powder coated Silver Gray.

**Hardware:**

- All 100% SS304, 3/8” – 16 thread.
- All 100% SS304 1/4” diameter blind rivets.

**Product Numbers and Shipping Weights:**

MODEL NUMBER	DESCRIPTION	SHIPPING WEIGHT
T32-16	EnergySaver T30 Series Double-Tube Storage Reel, 16’ Wide	295 lbs (134 kg)
T32-17	EnergySaver T30 Series Double-Tube Storage Reel, 17’ Wide	308 lbs (140 kg)
T32-18	EnergySaver T30 Series Double-Tube Storage Reel, 18’ Wide	322 lbs (146 kg)
T32-19	EnergySaver T30 Series Double-Tube Storage Reel, 19’ Wide	335 lbs (152 kg)
T32-20	EnergySaver T30 Series Double-Tube Storage Reel, 20’ Wide	350 lbs (159 kg)
T32-21	EnergySaver T30 Series Double-Tube Storage Reel, 21’ Wide	363 lbs (164 kg)

Custom T32 reel widths are available.

Specification Number:	<b>SRS-I103-2</b>		<b>S.R. Smith, LLC</b> 1017 SW Berg Parkway Canby, Oregon 97013 Tel: 1 (800) 824-4387 www.srsmith.com
Product Description:	THERMAL POOL COVER STORAGE REELS		
S.R. Smith Part Number:	T32-16 to T32-21		
Revision:	A2	Date: 05/10/2021	
Written By:	C. Redelfs	Date: 6/1/2020	
Approved By:		Date:	
<b>Proprietary and confidential: The information contained in this specification is the sole property of S.R. Smith LLC. Any reproduction in part or whole without the written consent of S.R. Smith LLC is prohibited.</b>			