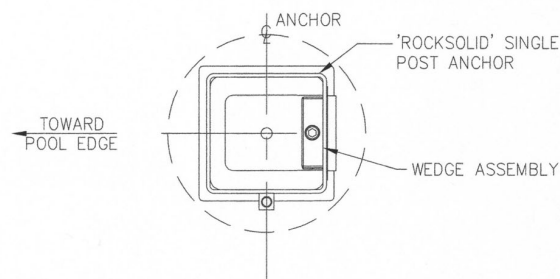
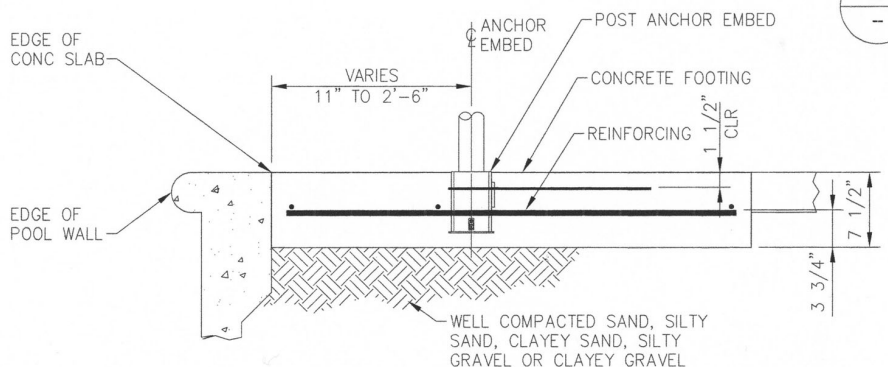


CONCRETE PLAN
SCALE: 1" = 1'-0"

#3 HAIRPIN AT TOP & BOT. OF ANCHOR



DETAIL - POST ANCHOR ORIENTATION
SCALE: 3" = 1'-0"



SECTION - POST ANCHOR
SCALE: 1" = 1'-0"

GENERAL NOTES:

1. NORMAL WEIGHT OF CONCRETE = 150 lbs/ft³.
2. CONCRETE MINIMUM COMPRESSIVE STRENGTH AT 28 DAYS TO BE $f'_c = 2500$ psi.
3. REINFORCING BARS SHALL CONFORM TO ASTM A615, GRADE 60, DEFORMED.
4. ASSUMED SOIL BEARING CAPACITY OF 1000 psf.
5. SOIL ASSUMED TO BE WELL COMPACTED SAND, SILTY SAND, CLAYEY SAND, SILTY GRAVEL OR CLAYEY GRAVEL.



P.O. BOX 400
CANBY, OREGON 97013
503-266-2231

**VELOCITY STARTING PLATFORM
ATTACHMENT TO FOOTING PLAN & SECTION**

SCALE: 1"=1'-0" U.N.O.	DWG. NO. D 0021-SR
DATE: 27 SEPT 2018	SHEET# 025-A