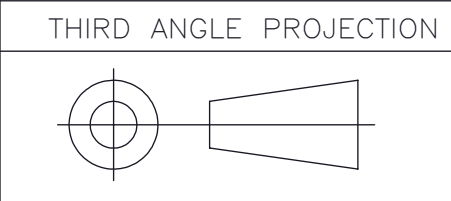
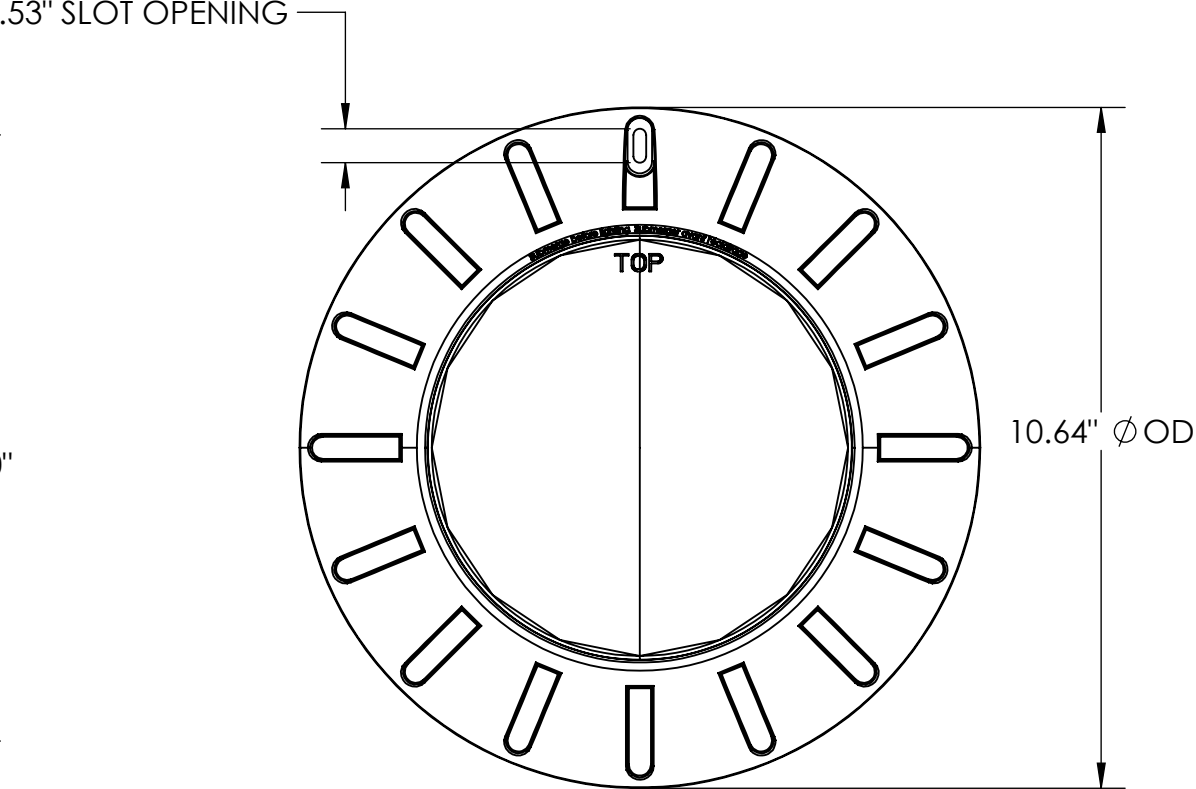
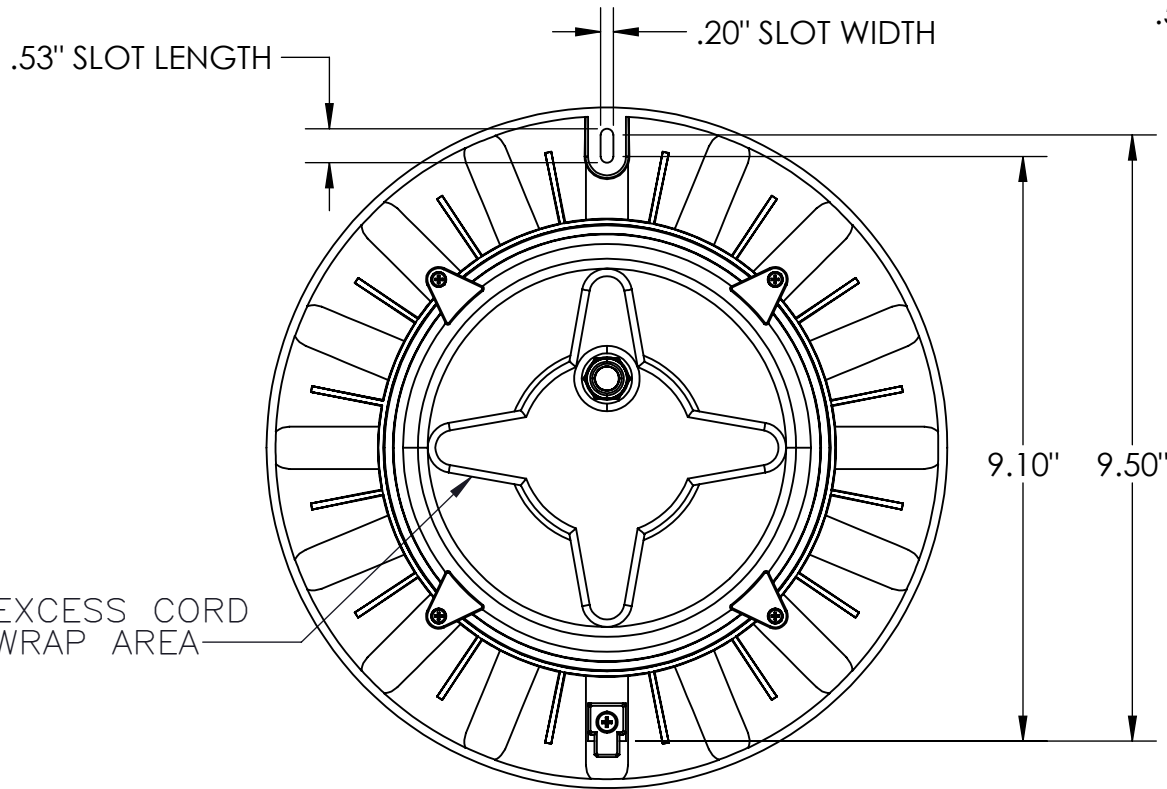
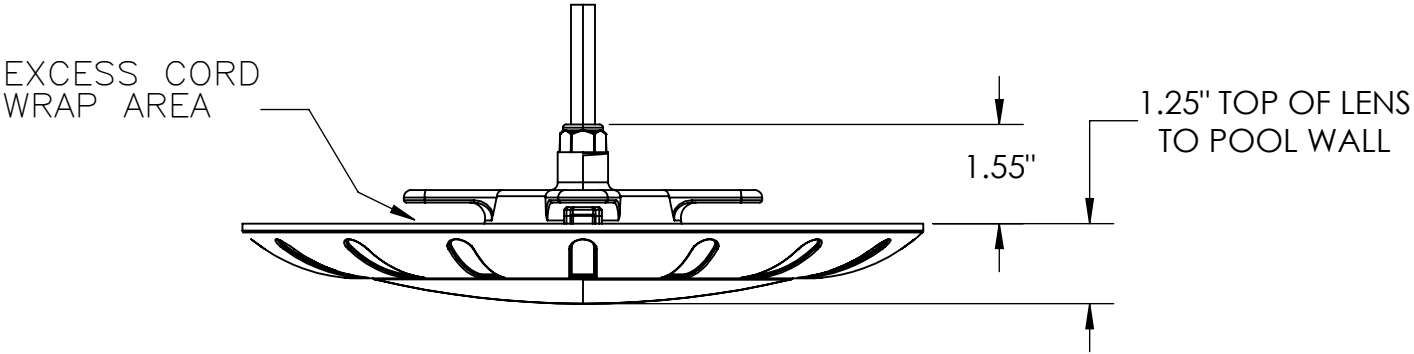


REVISIONS					
REV	NPR NO.	ZONE	DESCRIPTION	DATE	APPROVED
A0	901		RELEASE TO PRODUCTION.	03/11/22	WJS



UNLESS OTHERWISE SPECIFIED DIMENSIONS ARE IN INCHES. TOLERANCES ARE:

FRACTIONS	DECIMALS	ANGLES
± —	.XX ±.01	± 1°
	.XXX ±.001	

MATERIAL: PC

FINISH: N/A

DO NOT SCALE DRAWING

APPROVALS	DATES



KeloXL LED LIGHT, ASSEMBLY VIEWS

THIS DOCUMENT CONTAINS PROPRIETARY INFORMATION WHICH SHALL NOT BE REPRODUCED, TRANSFERRED TO OTHER DOCUMENTS, DISCLOSED TO OTHERS, USED FOR MANUFACTURING OR ANY OTHER PURPOSE WITHOUT PRIOR AUTHORIZATION OF S.R. SMITH

NEXT ASSY USED ON APPLICATION

SIZE	UL FILE NO.:	DWG NO.:	REV.
<b>B</b>	—	99-15532-00	A0
SCALE= NTS	MODIFIED BY:	03/11/22	SHEET 1 OF 1
	MFAVORITO		