



R-SERIES™ SUN SHELF TABLES USER MANUAL



R™
SERIES



S.R.Smith, LLC
800.824.4387
srsmith.com

**WARNING****INTENDED USE INSTRUCTIONS****TABLE WARNINGS & PROPER USE INSTRUCTIONS**

- **DO NOT DRAG OR PUSH TABLE ON DECK OR POOL SURFACE AS IT MAY RESULT IN DAMAGE TO TABLE OR SURFACE**
- USE CAUTION WHEN MOVING TABLE FULL OF WATER
- SLIPPERY WHEN WET OR WITH USE OF SUNSCREEN/LOTION
- DO NOT STAND ON TABLE
- DO NOT USE IF IMPAIRED
- NO DIVING/ROUGHHOUSING/JUMPING FROM TABLE
- NOT TO BE USED AS A FLOATATION DEVICE

IMPORTANT: Do not drag or slide pool table on the deck, doing so may cause abrasion to the underside of piece which could possibly cause damage to vinyl liners.

POOL TABLE CARE & MAINTENANCE:

Your pool table requires periodic maintenance to keep it looking like new and protected from the elements.

- Wash pool table monthly or more frequently if needed using a mild soap and soft cloth. Keep cleaning materials from entering pool.
 - Do not use abrasive cleaners, bleaches, chlorines, high alkaline or strong acidic cleaners.
 - Do not use steel wool, wire brushes, metal scrapers, Scotchbrite or other abrasive sponge pads.

INSTALLATION AND SET-UP INSTRUCTIONS

The R-Series sun shelf table comes in two sizes, 15” and 18”. The 15” table can be used in water up to 12” deep. The 18” table can be used in water up to 15” deep.

All R-Series tables come standard with a center hole for an umbrella. The umbrella hole will accept umbrella poles of up to 1.50” diameter. Umbrellas must only be used in conjunction with an anchor installed into the sun shelf or tanning ledge.

15” SUN SHELF TABLE

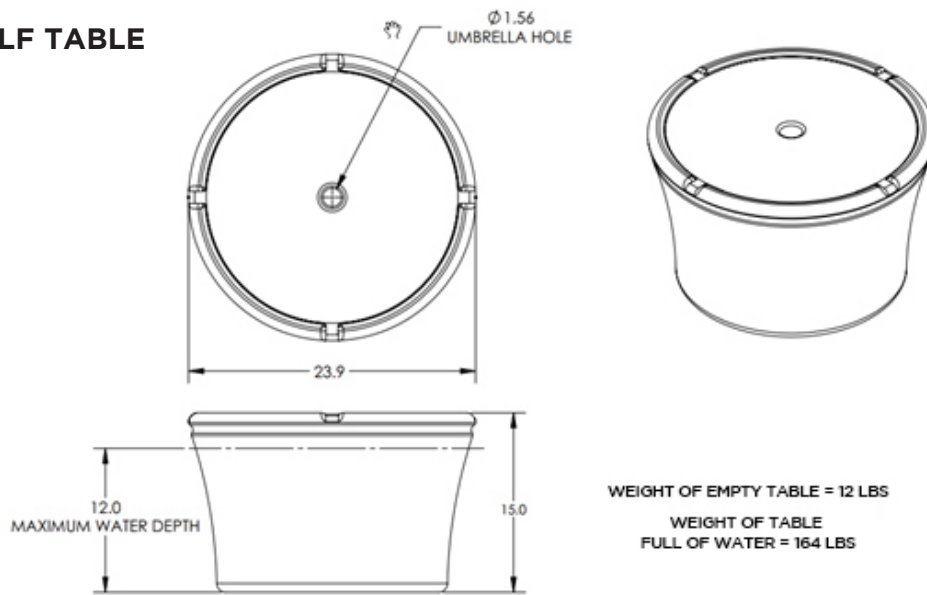


FIGURE 1

18” SUN SHELF TABLE

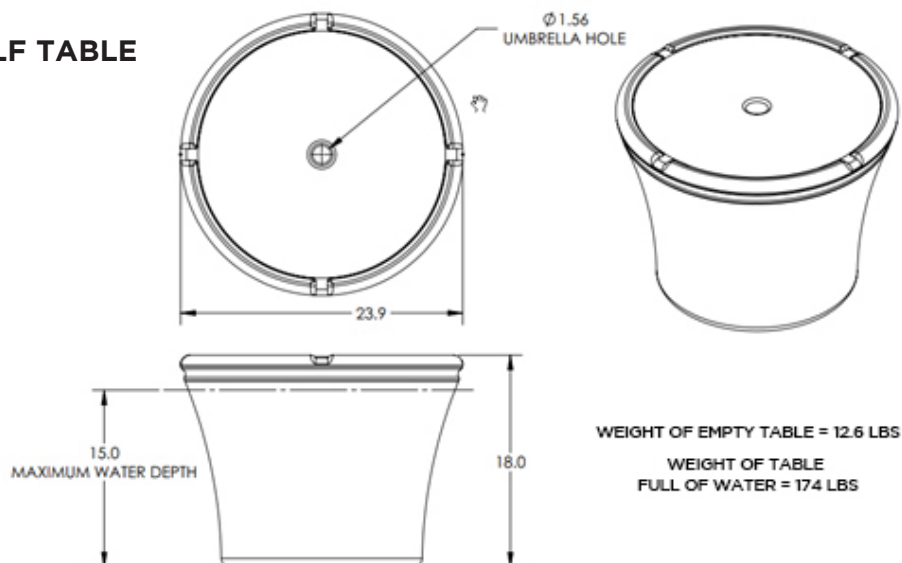


FIGURE 2

- To prevent the sun shelf tables from floating they must be filled with water to a height a few inches higher than the depth of the water in which the table is to be placed. The table can be filled with water either using a hose or water from the pool.
- Our recommendation is to fill the table using a hose, the table will be heavy once filled with water. It is suggested that the table be filled with water near the Sun Shelf or in a spot close to where the Sun Shelf will be placed for use. Turn the table upside down and remove the two plugs, see Figure 3. Fill the table with water to the desired amount, reinstall the plugs, and turn the table right side up and place it in the appropriate spot on the Sun Shelf,

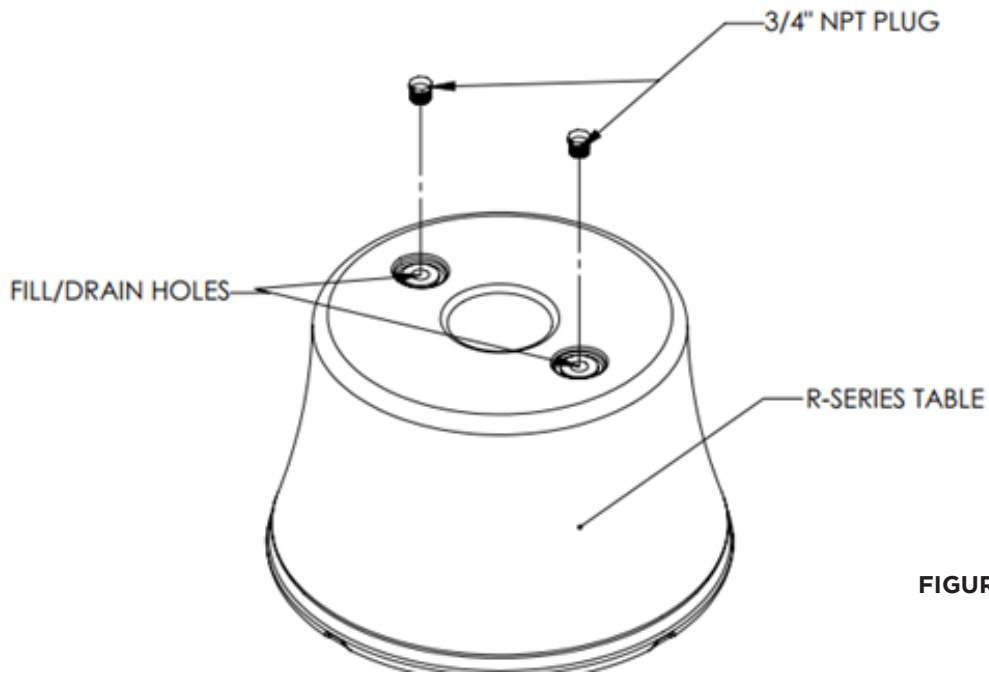


FIGURE 3

- To fill the table using the pool water from the pool, turn the table upside down and remove the plugs, see Figure 3. Move the table into water deep enough that the table can mostly be submerged. Position the table such that one of the fill/drain holes is above the waterline and the other is beneath the water surface. Fill the table with water to the desired amount, reinstall the plugs, and then turn the table right side up. The tables will be very heavy once filled with water.
- To remove water from table, remove plugs and allow water to drain.

WARRANTY INFORMATION

For product warranty information and details, please visit our website at srsmith.com/warranty