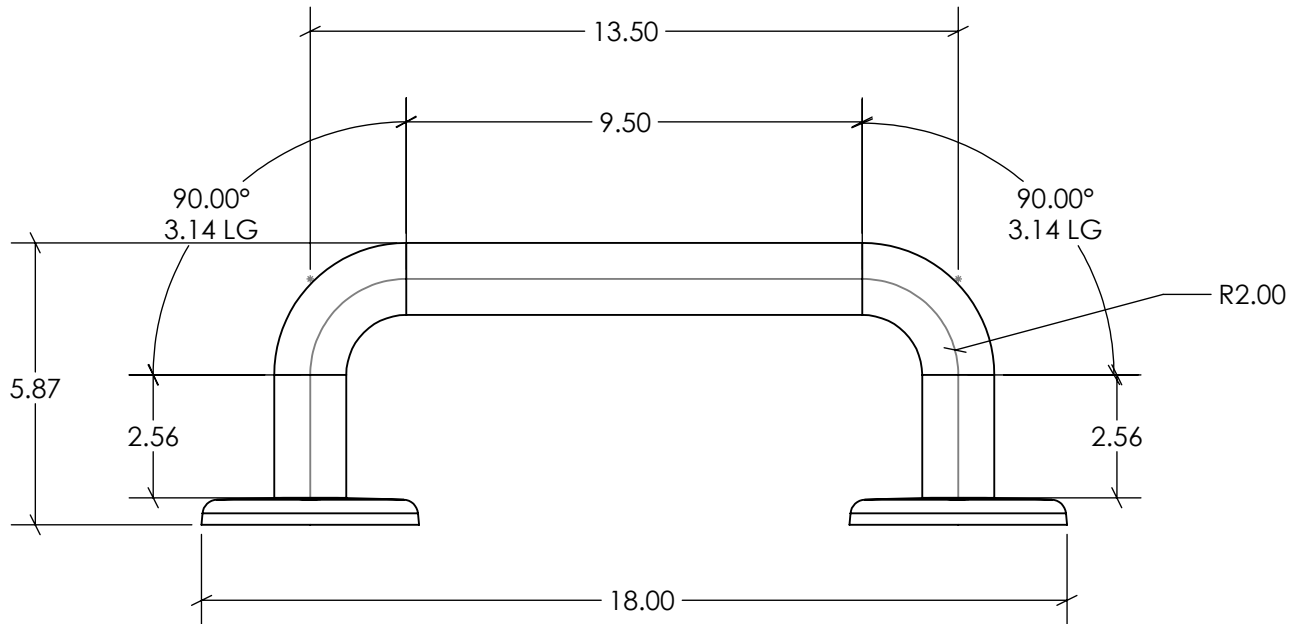


REVISIONS			
REV.	DESCRIPTION	DATE	ECN



8-120 FLANGE  
W/HDWR.  
(2 PLCS.)



TUBING LENGTH: 20.96"

UNLESS OTHERWISE SPECIFIED  
DIMENSIONS ARE IN INCHES,  
TOLERANCES ARE:  
FRACTIONAL: ..... ±1/16  
ANGULAR: ..... ±1°  
TWO PLACE DECIMAL: .... ±.06  
THREE PLACE DECIMAL: .. ±.031

DESCRIPTION:

18" BENT ADA TRANSFER RAIL  
W/FLANGES

MATERIAL:

1.50" O.D. x .120 WALL (316L)

PART NO.: EB-18A

REV. A

DRAWN BY: DTJ

DATE: 6/23/12

CHECKED BY:

DATE:



P.O. BOX 400 - 1017 S.W. BERG PARKWAY  
CANBY, OREGON 97013  
PHONE (503) 266-2231

SIZE: A

SCALE: 1:4

SHEET 1 OF 1