

FUSION



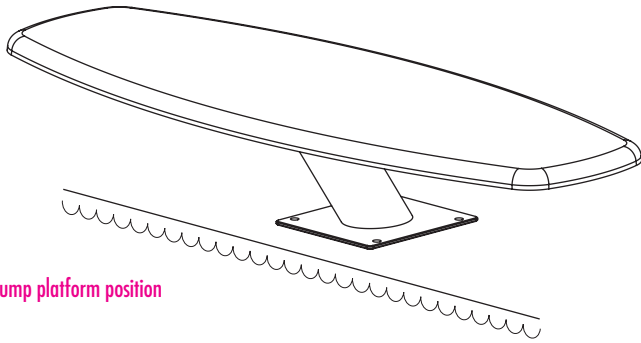
*Fusion*TM

ONE BOARD — MULTIPLE USES

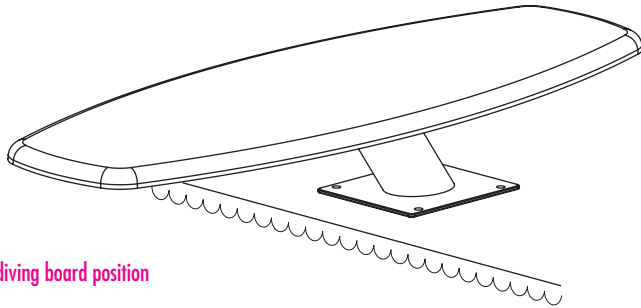
This new board can serve as a diving board, or a jump platform / poolside bench — you decide. A locking swivel mechanism allows pool owners to turn the board 90° and lock into a traditional diving board position or into a jump platform / poolside bench position.

- Composite material diving board looks great, increases board strength and lengthens product life
- Diving board is twice the width of traditional diving boards at widest point — more bench space
- Board has a matching, SureFoot non-slip tread for maximum safety
- Stainless steel hardware for added corrosion resistance
- Bronze swivel mechanism locks for maximum safety
- Approved for use on Type I or greater pools

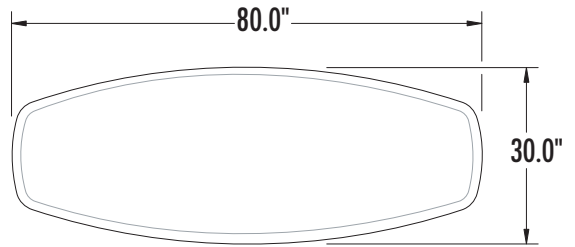




jump platform position



diving board position



Sandstone



Gray Granite



White

Actual product colors vary slightly.

All installations must comply with all applicable local and national codes and installation must be completed in accordance with S.R.Smith installation instructions.

Model No.	Color
68-210-1302	White
68-210-13023	Sandstone
68-210-13024	Gray Granite