



*Slide placement sheet must accompany your slide order

The Vortex slide is designed and manufactured for installation and use on in-ground swimming pools only. Installers should reference ANSI/APSP/ICC-1 American National Standard for Public Swimming Pools, and ANSI/APSP/ICC-5 American National Standard for Residential in-ground Swimming Pools (PHTA - 1650 King St., Ste. 602, Alexandria, VA 22314) prior to installation.

The weight limit for this slide is 325lbs/147kg. Do not install the Vortex slide on above-ground pools, houseboats, boat docks, floating docks or platforms, or other bodies of water such as lakes, ponds, rivers, etc.

By signing and submitting this slide placement sheet, the Responsible Party listed below (i) confirms and acknowledges that the installation site meets the requirements for proper and safe installation and placement of the Vortex slide, as set forth below, and (ii) verifies that the dimensions of the pool ensure proper and safe placement and installation of the Vortex slide, as set forth below.

- I have consulted with my local building code or health code official for site specific in-ground pool slide requirements. This includes any applicable requirements for size and structure of concrete footing, overall height of slide, and bonding or electrical codes per the local jurisdiction.

When installed per the manufacturer’s installation instructions, the Vortex slide complies with U.S. Consumer Product Safety Commission (CPSC) 16 CFR, Part 1207 for in-ground swimming pool slides as published in Code of Federal Regulations. This federal standard may or may not meet the requirement of all local building or health safety codes and does not meet the requirements of ASTM F 2376-8 classification, Design, Manufacture, Construction, and Operation of Water Slide Systems.

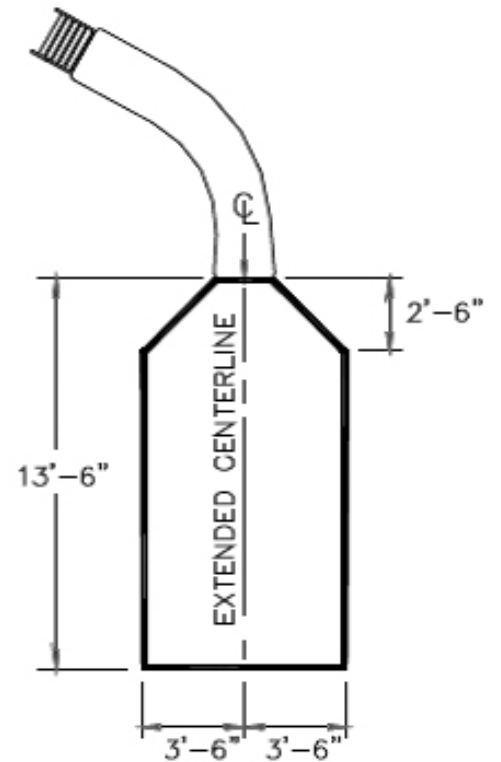
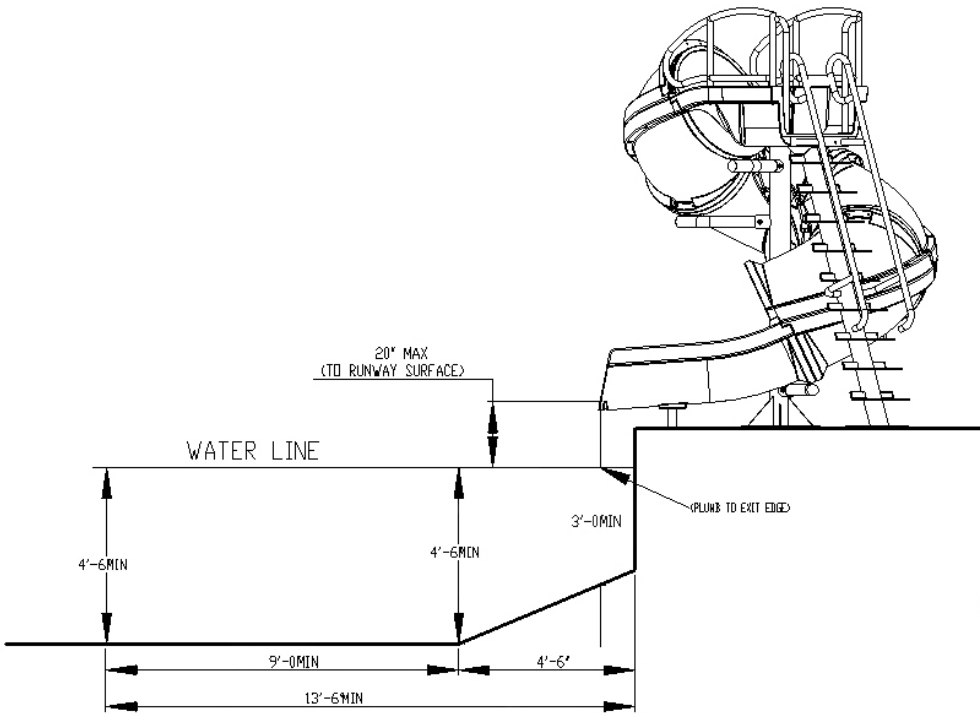
- The height of the slide runway exit must be able to be located so that it is not above the water surface more than 20”/51cm maximum.(See illustration page 2)
- The depth of water below where the exit lip of the slide will be located is 4’-6”/1.37m minimum depth at a distance of 4’-6”/1.37m from exit end of slide. (See illustration page 2)
- The minimum depth of water below the exit lip of the slide must be three feet (3’/91cm) and increase to four feet, six inches (4’-6”/1.37m) at Point. A, which is a distance of four feet six inches (4’-6”/1.37m) from the exit lip of the slide. (See illustration page 2)
- A minimum depth of four feet six inches (4’-6”/1.37m) shall be maintained at a distance of nine feet (9’/2.7m) along the extended centerline of the slide from Point A. (See illustration page 2)
- The slide shall be positioned so that all water flowing off the runway exit drops into the pool. The recommended overhang is 4”/10.16cm.
- The minimum clearance distance on either side of the extended centerline of the slide runway shall not be less than three feet six inches (3’-6”/1m) at a point no less than two feet six inches (2’-6”/81cm) from the exit lip of the slide, and extending a distance of thirteen feet six inches (13’-6”/4.11m) in front of the slide as shown in the illustration on page 2.

CONTACT INFORMATION

_____ NAME/TITLE OF RESPONSIBLE PARTY		_____ DATE	
_____ PHYSICAL ADDRESS	_____ CITY	_____ STATE	_____ ZIP
_____ PHONE NUMBER	_____ EMAIL		
_____ FACILITY NAME	_____ CONTACT NAME		
_____ ADDRESS (if different from Responsible Party)	_____ CITY	_____ STATE	_____ ZIP
_____ PHONE NUMBER	_____ EMAIL		

SIGNATURE OF RESPONSIBLE PARTY

*Slide placement sheet must accompany your slide order



SLIDE
 MINIMUM CLEARANCE AREA

S.R.Smith bears no warranty responsibility due to misapplication or location of a Vortex slide without a completed Vortex Slide Placement Profile Sheet on record.