



Product Specifications - Written

Product Name: TurboTwister®

Part Numbers: 688-209-58123, 688-209-58124, 688-209-58223 & 688-209-58224

General Notes:

The **TurboTwister** is a tall height slide with integral polyethylene runway and ladder. The TurboTwister is available in both left and right hand curves.

Application:

This slide is intended for use on in-ground swimming pools only. With proper deck anchoring, this product is suitable for use in most geographic regions. The weight limit for this slide is 275 lbs.

Specifications:

- 1 **Runway:** The slide runway is made from thick, durable, roto-molded polyethylene. Water delivery system comes standard with the slide utilizing 1-1/2" PVC flex hose for a flow rate of up to 25 gpm.
- 2 **Handrail:** The two (2) ladder handrails are molded into the ladder and are made of molded polyethylene.
- 3 **Ladder:** The ladder is inclined 15° off vertical with eight (8) enclosed steps for ease of climbing.
- 4 **Anchor Assembly (Included):** Slide is anchored to the deck using eight (8) ½" (12.70mm) diameter stainless steel anchor studs with hardware.

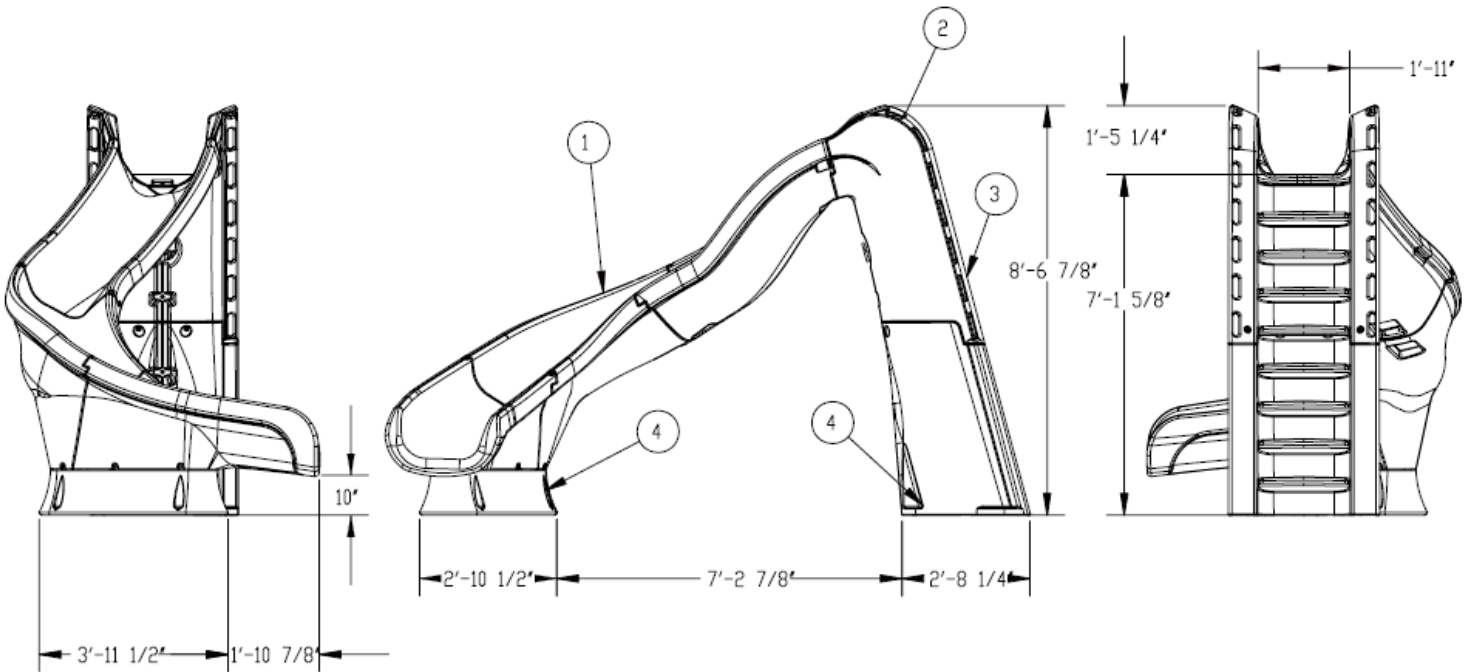
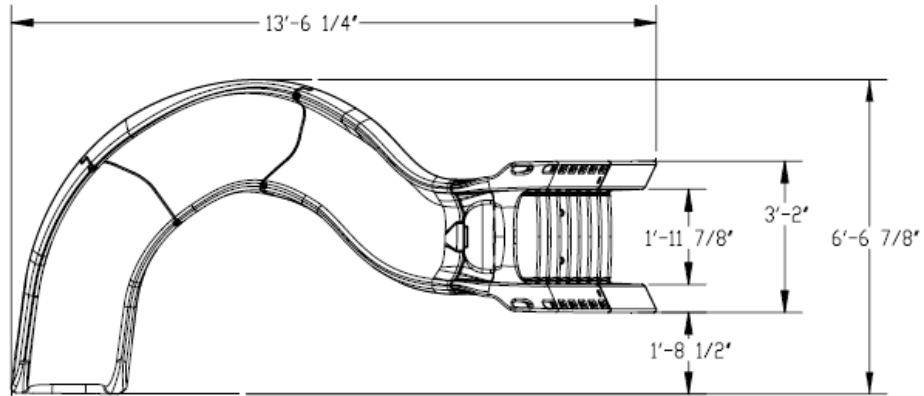
Product Numbers and Shipping Weight:

MODEL NUMBER	DESCRIPTION	SHIPPING WEIGHT
688-209-58123	TurboTwister Right Hand - Sandstone	350 lbs. (158.7kg)
688-209-58223	TurboTwister Left Hand - Sandstone	350 lbs. (158.7kg)
688-209-58124	TurboTwister Right Hand - Gray Granite	350 lbs. (158.7kg)
688-209-58224	TurboTwister Left Hand – Gray Granite	350 lbs. (158.7kg)

Specification Number:	SRS-207	
Product Description:	TurboTwister® Slide	
S.R. Smith Part Number:	688-209-58123, 688-209-58124, 688-209-58223 & 688-209-58224	
Revision:	C	Date: 7/25/13
Written By:	Bill Svendsen	Date: 1/15/08
Approved By:		Date: 1/15/08
Page 3 of 3	Proprietary and confidential: The information contained in this specification is the sole property of S.R. Smith LLC. Any reproduction in part or whole without the written consent of S.R. Smith LLC is prohibited.	

S.R. Smith, LLC
P.O. Box 400, 1017 SW Berg Parkway
Canby, Oregon 97013
Tel: (800) 824-4387 (503) 266-2231
Fax: (503) 266-4334
www.srsmith.com

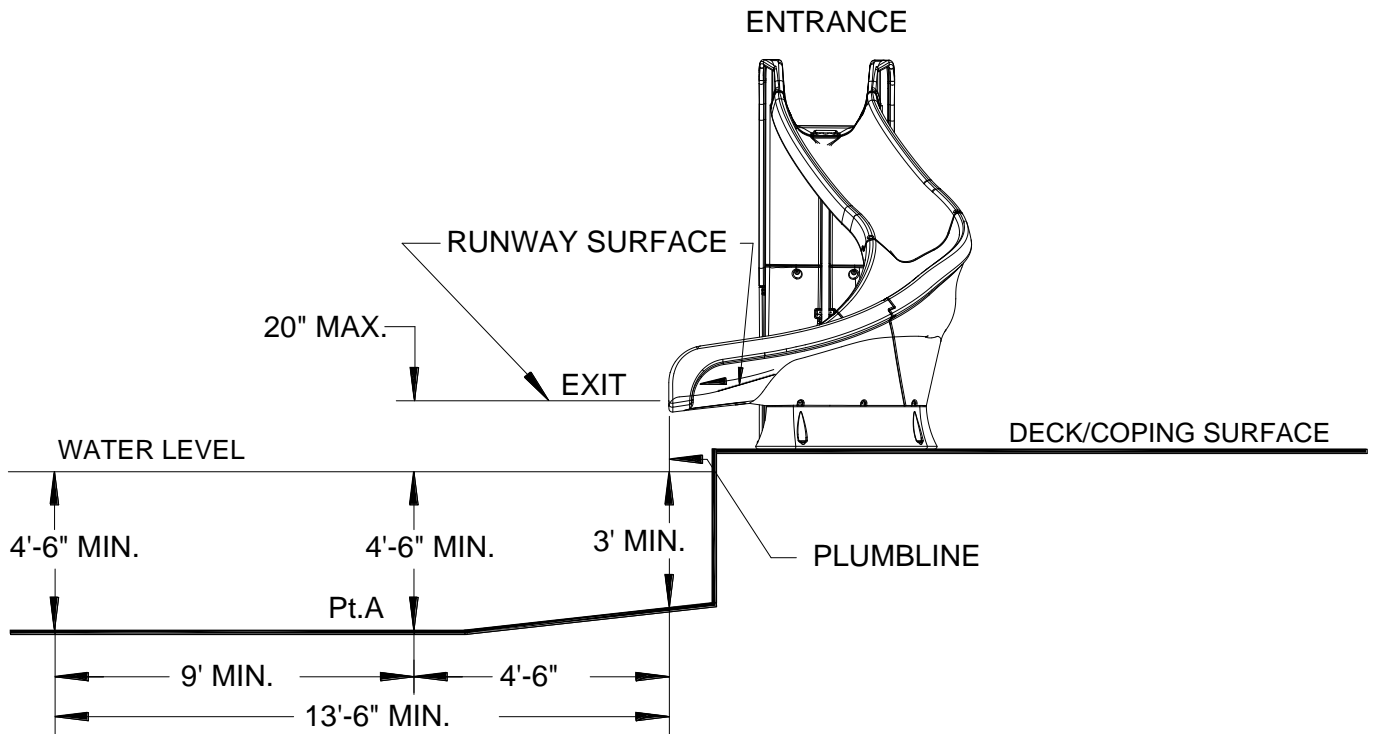
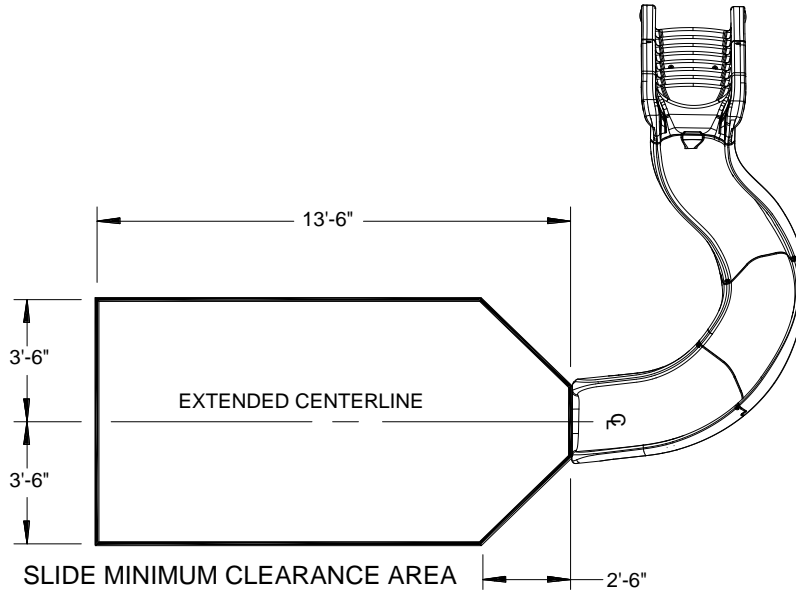
TURBOTWISTER® SLIDE (LEFT CURVE)



Specification Number:	SRS-207	
Product Description:	TurboTwister® Slide (Left Curve)	
S.R. Smith Part Number:	688-209-58223 & 58224	Scale: NTS
Revision:	C	Date: 7/25/13
Written By:	BILL SVENDSEN	Date: 1/15/08
Approved By:		Date: 1/15/08
Page 1 of 3	Proprietary and confidential: The information contained in this specification is the sole property of S.R. Smith LLC. Any reproduction in part or whole without the written consent of S.R. Smith LLC is prohibited.	

S.R. Smith, LLC
 P.O. Box 400, 1017 SW Berg Parkway
 Canby, Oregon 97013
 Tel: (800) 824-4387 (503) 266-2231
 Fax: (503) 266-4334
www.srsmith.com

TurboTwister[®] Slide Placement



Specification Number:	SRS-207	
Product Description:	TurboTwister[®] Slide	
S.R. Smith Part Number:	688-209-58123, 58124, 58223 & 58224	Scale: NTS
Revision:	C	Date: 7/25/13
Written By:	Bill Svendsen	Date: 1/15/08
Approved By:		Date: 1/15/08
Page 2 of 3	Proprietary and confidential: The information contained in this specification is the sole property of S.R. Smith LLC. Any reproduction in part or whole without the written consent of S.R. Smith LLC is prohibited.	

S.R. Smith, LLC
 P.O. Box 400, 1017 SW Berg Parkway
 Canby, Oregon 97013
 Tel: (800) 824-4387 (503) 266-2231
 Fax: (503) 266-4334
www.srsmith.com