



# Product Specifications - Written

**Product Name:** Universal Starting Block

**Part Number:** USB-9999A

**General Notes:**

The **Universal Starting Blocks** are designed for use on competitive pools. The weldment is stainless steel and is powder coated for corrosion resistance. The anchor is replaceable and is designed to prevent “rocking”. This platform can be ordered to fit almost any deck and water height variable.

**Application:**

Depending upon installation design and local codes, this model is suitable for use on competitive pools. The deck to water level dimension indicates which platform is to be used as well as the setback from the pool wall.

**Specifications:**

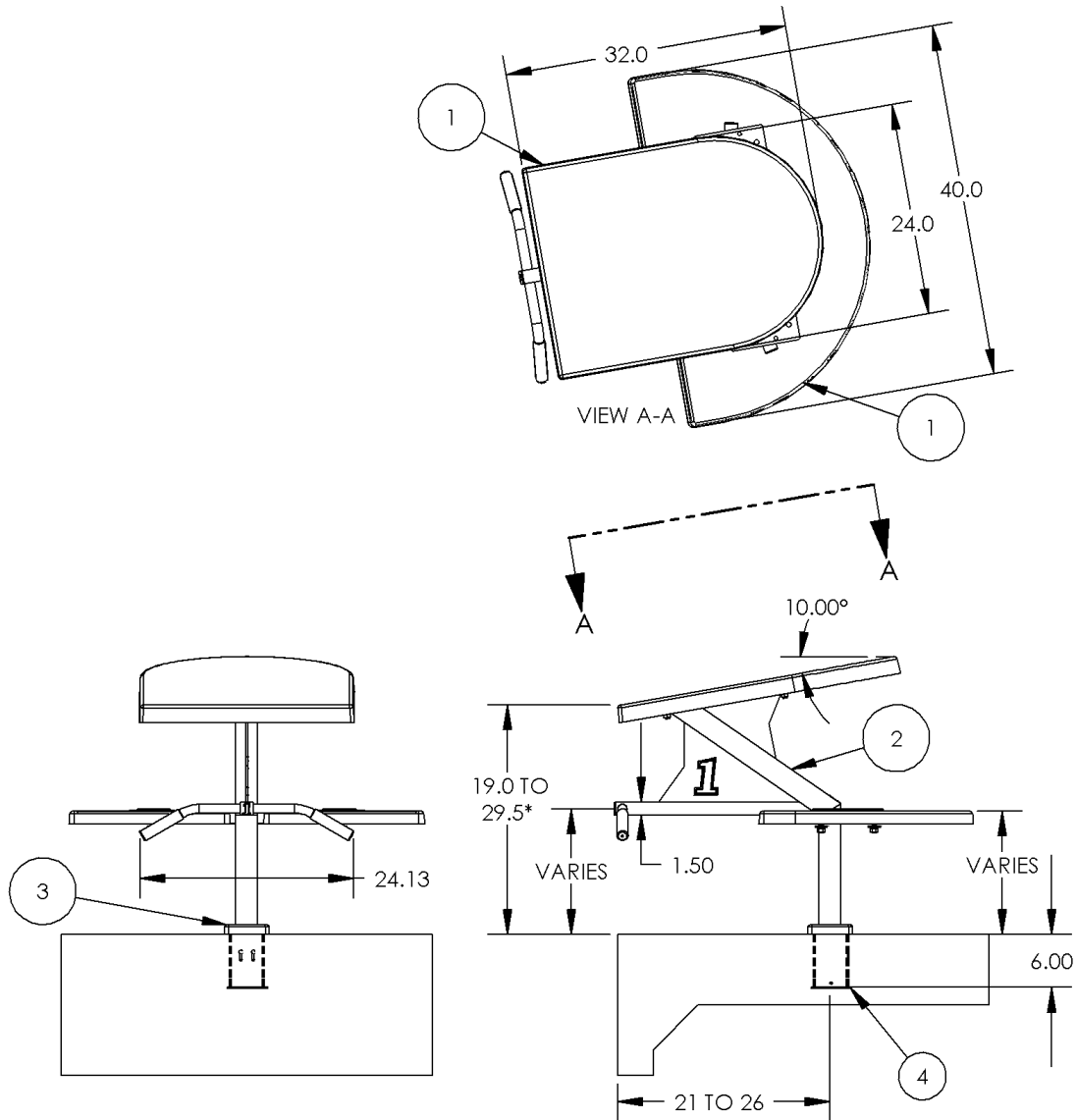
- 1 Step and Platform: Both the step and platform are constructed of an acrylic outer body skin and a non-slip, sanded tread over a solid laminated board covered with hand-laid fiberglass and resin roving. The platform is mounted onto the weldment at a 10° angle. The semicircular step dimensions are 23.5” x 40” diameter (597 mm x 1016 mm dia.) and the platform dimensions are 24” x 32” (609.6mm x 812.8mm).
- 2 Platform Frame: The platform frame is constructed of 2.5 in<sup>2</sup> (63.5mm<sup>2</sup>) x .120 in (3.05mm) wall stainless steel tubing. The footboard and backstroke bar are attached to 1.5 in<sup>2</sup> (38.10mm<sup>2</sup>) x .065 in wall (1.65mm) stainless steel tubing and have caps welded to the ends. A backstroke bar constructed of 1.00” O.D. x .065 wall (25.40mm x 1.65) stainless steel tubing is also capped with stainless steel. The gussets and footboard plate are made of .188” (4.8mm) stainless steel. The frame is powder coated for added corrosion resistance.
- 3 Escutcheon: This square escutcheon plate is stamped from .063” (.58mm) polished 304 series stainless steel. The outer dimensions are 5” x 5 x 1/2 (127mm x 127 x 12.70). The escutcheon is powder coated to match the platform frame.
- 4 Anchor: (p/n 27-107, see spec sheet for SRS-920) This single post anchor assembly is specially designed to prevent rocking and the liner can be replaced when worn. The assembly consists of a housing constructed of 4.00 in<sup>2</sup> (101.60mm<sup>2</sup>) x .120” wall (3.05mm) stainless steel tubing welded onto a 4.5 in<sup>2</sup> (114.30mm<sup>2</sup>) flange. The anchor is threaded and comes with a 1/4-20 UNC stainless steel grounding screw for bonding. The insert is made of urethane resin to facilitate removal of the platform. A stainless steel cap is provided to mount flush on the deck when the platform is removed.

**Shipping weight:** N/A.

Specification Number:	<b>SRS-311</b>	
Product Description:	<b>Universal Starting Block</b>	
S.R. Smith Part Number:	<b>USB-9999A</b>	
Revision:	B	Date: 08/08/13
Written By:	J. Maguire	Date: 11/1/06
Approved By:		Date:
Page 2 of 2	Proprietary and confidential: The information contained in this specification is the sole property of S.R. Smith LLC. Any reproduction in part or whole without the written consent of S.R. Smith LLC is prohibited.	
	COPYRIGHT © 2006 S.R. SMITH, LLC.	

**S.R. Smith, LLC**  
**P.O. Box 400, 1017 SW Berg Parkway**  
**Canby, Oregon 97013**  
**Tel: (800) 824-4387 (503) 266-2231**  
**Fax: (503) 266-4334**  
**www.srsmith.com**

## Universal Starting Block



\* Height and setback dimensions to be determined by customer at time of order

Specification Number:	<b>SRS-311</b>	
Product Description:	<b>Universal Starting Block</b>	
S.R. Smith Part Number:	<b>USB-9999A</b>	Scale: NTS
Revision:	<b>B</b>	Date: 08/08/13
Written By:	<b>J. Maguire</b>	Date: 11/1/06
Approved By:		Date:
Page 1 of 2	Proprietary and confidential: The information contained in this specification is the sole property of S.R. Smith LLC. Any reproduction in part or whole without the written consent of S.R. Smith LLC is prohibited.	
	COPYRIGHT © 2006 S.R. SMITH, LLC.	

**S.R. Smith, LLC**  
**P.O. Box 400, 1017 SW Berg Parkway**  
**Canby, Oregon 97013**  
**Tel: (800) 824-4387 (503) 266-2231**  
**Fax: (503) 266-4334**  
**www.srsmith.com**