



# Product Specifications - Written

**Product Name:** Lift Operator – Pool Lift Control System with Rechargeable Battery Pack

**Part Numbers:** 1001540 - 2 button Control System Assembly, 1001550 - 4 button Control System Assembly  
1001545 - 2 button Control System w/Activation Key, 1001555 – 4 button Control System  
Assembly w/Activation Key

### General Notes:

The Lift Operator – Pool Lift Control System with Rechargeable Battery Pack is designed to operate any S.R. Smith lift product as well as most similar linear actuated lift control systems and can be used with the applicable 2 or 4 button hand held controls. It features a secondary control touch pad on the faceplate if the seat needs to be recalled to the deck when the seat and hand control are in the water, or in the event the primary hand control fails. It also incorporates an emergency stop button that activates an audible alert. The touchpad has LED indicators that indicate “Battery (Energy) Level”, “Emergency Alert” activation and when maintenance “Service Required” is needed based on lift usage. Lift self-diagnostic information - i.e. up/down, left/right, battery charge cycles and to reset the “Service Required” LED are viewed/completed via the USB port on the bottom of the control via a FAT-formatted USB mass storage device. The information from the control can be downloaded to a PC for viewing and record keeping. The unit can be ordered with an optional activation key system that is used to turn the control On/Off. This is intended to be used in locations where having an “always-on” unit is not practical due to safety issues or lack of an attendant. The unit is constructed of high impact, UV resistant plastic, is water resistant and available in 2 and 4 button configurations. The removable battery pack is rechargeable via the included 24V transformer. The included lock plate for the battery pack prevents unauthorized removal of the battery pack with the use of padlock (not included).

### Application:

For use with any S.R. Smith lift product as the standard control. The LiftOperator control system can be used as a replacement unit for any existing S.R. Smith lift or similar linear actuated and controlled lift - mounts to existing mounting holes.

### Specifications:

#### Dimensions:

**Control Unit -** 6.76” L (17.17 cm)/ 4.96” W (12.59 cm)/ 4.67” D (11.86 cm)  
**Battery Pack -** 9.95” L (25.27 cm)/ 4.96” W (12.59 cm)/ 4.67” D (11.86 cm)  
**Overall -** 16.71” L (42.44 cm)/ 4.96” W (12.59 cm)/ 4.67” D (11.86 cm)

#### Weight:

**Control Unit –** 2.0 lbs. (.91 kg) with mounting plate.  
**Battery Pack -** 9.3 lbs. (4.22 kg)  
**Total Weight –** 11.3 lbs. (5.12 kg) – Shipping Weight – 12.0 lbs. (5.44 kg)

**Listings:** The Control Unit and Battery pack are IP 65 rated.

**Mounting Hardware:** All mounting hardware - mounting plate, latch assembly, attachment hardware and lock plate are stainless steel.

**Housing Materials:** The housing is made from UV resistant high impact ABS plastic.

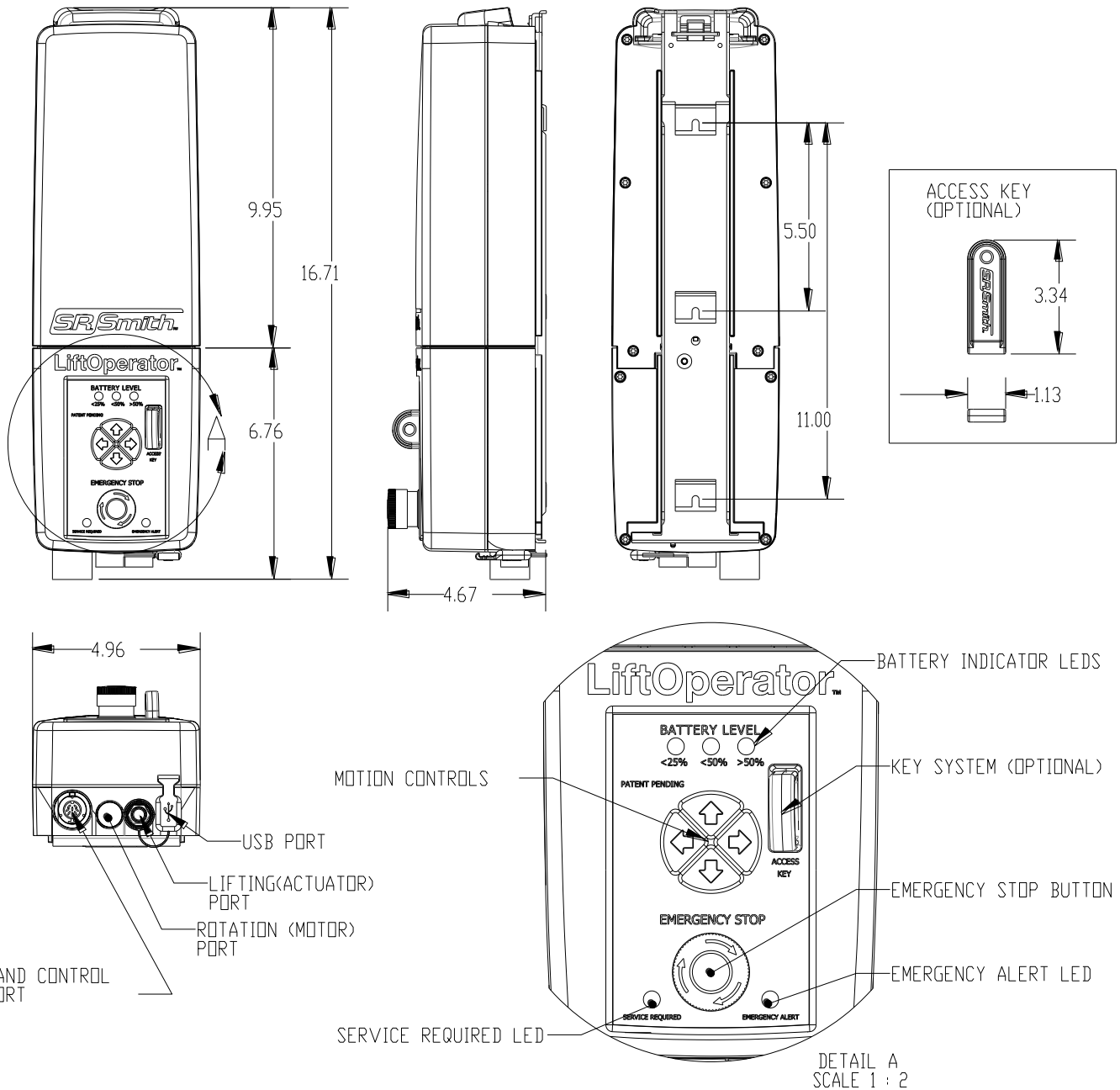
**Electrical Specifications:** U Out: 24V = .max 10AT / Op. : Max 10%, max 2 min./18min  
Battery Pack contains 2 -12V 5Ah rechargeable lead acid gel cell batteries

### Additional Product Numbers: 1001495 Replacement Rechargeable Battery Pack

Specification Number:	SRS-1203		<p align="center"><b>S.R. Smith, LLC</b>  P.O. Box 400, 1017 SW Berg Parkway  Canby, Oregon 97013  Tel: (800) 824-4387 (503) 266-2231  Fax: (503) 266-4334  www.srsmith.com</p>
Product Description:	Lift Operator – Control Unit and Rechargeable Battery Pack		
S.R. Smith Part Number:	1001540/1001550/1001545/1001555		
Revision:	B	Date: 08/08/13	
Written By:	S. Newport	Date: 12/15/11	
Approved By:		Date: 12/15/11	
Page 1 of 2	Proprietary and confidential: The information contained in this specification is the sole property of S.R. Smith LLC. Any reproduction in part or whole without the written consent of S.R. Smith LLC is prohibited.		



# Product Specifications - Drawing



DETAIL A  
SCALE 1 : 2

Specification Number:	<b>SRS-1203</b>	
Product Description:	<b>Lift Operator – Control Unit and Rechargeable Battery Pack</b>	
S.R. Smith Part Number:	<b>1001540/1001550/1001545/1001555</b>	
Revision:	B	Date: 08/08/13
Written By:	S. Newport	Date: 12/15/11
Approved By:		Date: 12/15/11
Page 2 of 2	Proprietary and confidential: The information contained in this specification is the sole property of S.R. Smith LLC. Any reproduction in part or whole without the written consent of S.R. Smith LLC is prohibited.	

**S.R. Smith, LLC**  
 P.O. Box 400, 1017 SW Berg Parkway  
 Canby, Oregon 97013  
 Tel: (800) 824-4387 (503) 266-2231  
 Fax: (503) 266-4334  
[www.srsmith.com](http://www.srsmith.com)