



Product Specifications - Written

Product Name: Splash! Extended Reach Semi-Portable Lift System

Part Number: 370-0000/EU

It shall be battery powered, comply with Americans With Disabilities Act Access Guidelines (ADAAG), and have a lifting capacity of 300 pounds. Product shall include battery, charger, battery console cover, waterproof control, stainless steel anchor socket with cover and spanner key, footrest and seat belt assembly.

- a. Manufacturer to provide technical support and assistance to confirm pool lift satisfies pool geometry or if another Splash! Model is more appropriate (Standard #300-0000, Extended Reach Hi/Lo #385-0000, Extended Reach Spa #395-0000, Spa #375-0000, Hi/Lo #350-0000).
- b. Have a LINAK (approved for medical applications) screw/spline type actuator to provide a safe and stable stop at any point in the lifting cycle. Capable of:
 - i. Not only having a stopping point that is a minimum of 16 inches and a maximum of 19 inches measured from the deck to the top of the seat surface when the seat is in the raised position (accessibility guidelines), but also providing additional stopping points at various heights to accommodate users of all ages and abilities.
 - ii. Submerging the seat a minimum of 18" below the surface of the water.
- c. Configured to facilitate ease in user transfer within clear deck space of 36 inches wide by 48 inches deep starting 12 inches from the back end of the seat (Ref. ADAAG).
- d. Have a 24-volt gear motor to power side to side rotation to allow for ample clear deck space for transfer on both sides of the lift.
- e. Seat:
 - i. Width of 18.5 inches (ADAAG Requires 16 inches)
 - ii. Back that extends 24 inches high (ADAAG Requires 12 inches)
- f. Be structurally capable of providing a stable user transfer and pass a static load test equal to 1.5 times the rated load capacity.
- g. Metallic parts (stainless steel and aluminum) to be passivated, pretreated and powder coated using a 5-step process. The process is to be validated by samples undergoing a 4,000 hour Salt Fog Test (ASTM D1654), by a recognized independent laboratory, and achieve a rating of 10 (highest possible rating). (Note: The test is the equivalent of 10 years exposure to this harsh environment.)
- h. Have a Manufacturer's Warranty:
 - i. Frame – 3 Years (except powder coated finish)
 - ii. Electronic Components – 2 Years (except battery)
 - iii. Battery – 1 Year, Pro-rated (90 days – 100%, 91 to 365 days – 50%)

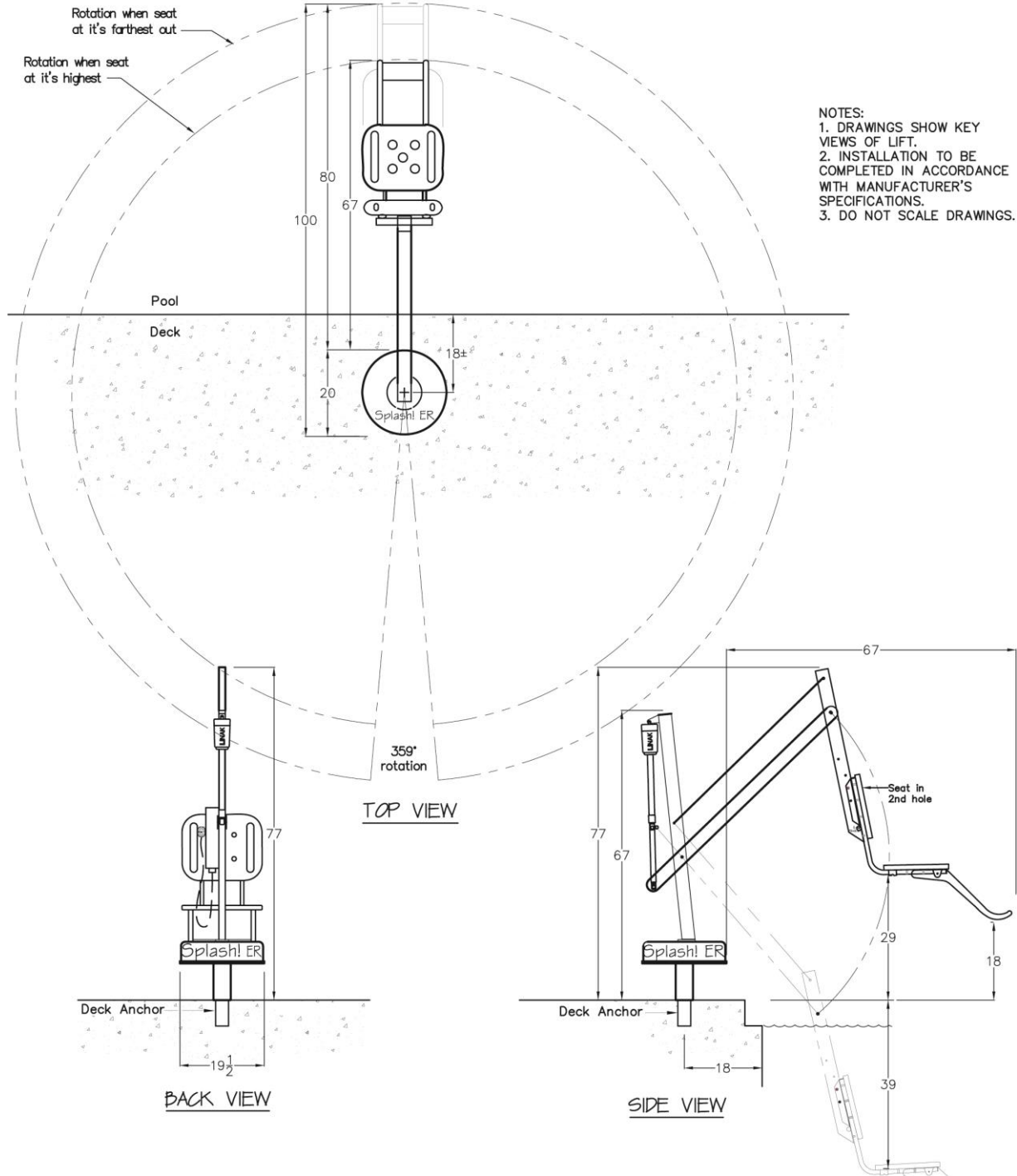
Have the following optional equipment:

| Part # | Description | Part # | Description |
|----------|-----------------------|----------|-------------------|
| 900-2000 | Stability Vest | 170-1000 | Arm Rest Assembly |
| 500-1000 | Spineboard Attachment | 940-3000 | Total Cover |
| 400-0000 | Caddy | | |

| | | | |
|-------------------------|----------------------------------------------------------------------------------------------------------------------------------------------------------------------------------------------------------------------|---------------------------------------------------------------------------------------------------------------------------------------------------------------------------------------------------|----------------|
| Specification Number: | | S.R. Smith P.O. Box 400, 1017 SW Berg Parkway Canby, Oregon 97013 Tel: (800) 824-4387 (503) 266-2231 Fax: (503) 166 4334 www.srsmith.com | |
| Product Description: | Splash! Extended Reach Semi-Portable Lift System | | |
| S.R. Smith Part Number: | 370-0000/EU | | |
| Revision: | B | | Date: 08/09/13 |
| Written By: | | | Date: |
| Approved By: | | | Date: |
| Page 2 of 2 | Proprietary and confidential: The information contained in this specification is the sole property of S.R. Smith LLC. Any reproduction in part or whole without the written consent of S.R. Smith LLC is prohibited. | | |



Product Specifications - Drawing



| | | |
|-------------------------|----------------------------------------------------------------------------------------------------------------------------------------------------------------------------------------------------------------------|----------------|
| Specification Number: | | |
| Product Description: | Splash! Extended Reach Semi-Portable Lift System | |
| S.R. Smith Part Number: | 370-0000/EU | |
| Revision: | B | Date: 08/09/13 |
| Written By: | | Date: |
| Approved By: | | Date: |
| Page 1 of 2 | Proprietary and confidential: The information contained in this specification is the sole property of S.R. Smith LLC. Any reproduction in part or whole without the written consent of S.R. Smith LLC is prohibited. | |

S.R. Smith
 P.O. Box 400, 1017 SW Berg Parkway
 Canby, Oregon 97013
 Tel: (800) 824-4387 (503) 266-2231
 Fax: (503) 166 4334
 www.srsmith.com