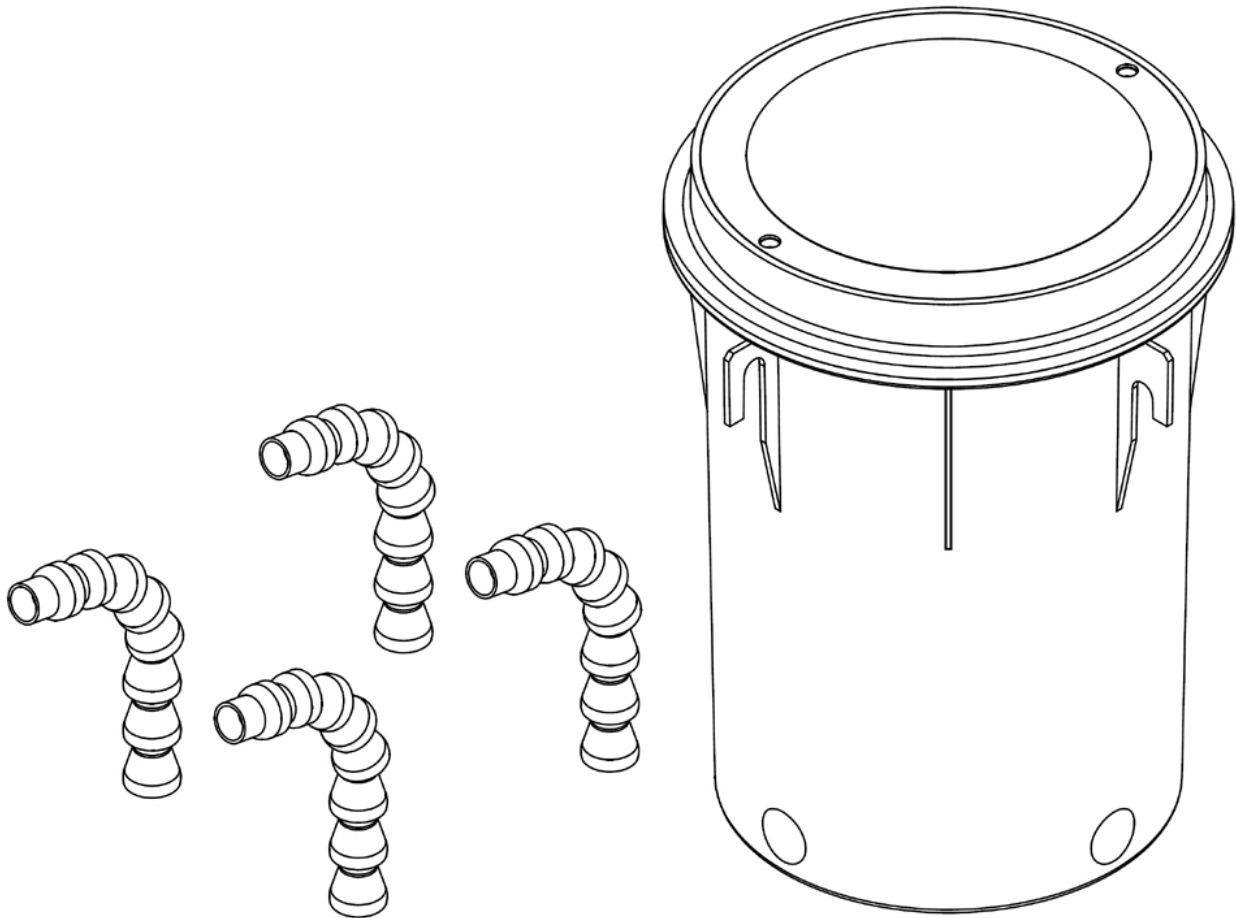


Color Light Stream™ Rock Waterfall Kit
Installation Manual
(CLSLR4)



Input Power: 12V AC
Total Power: 6 W



3072091

ETL listed for installations within 5 ft. (1.5M) of outer edge of water



SAVE THESE INSTRUCTIONS!

Fiberstars Color Light Stream™ is your distribution center to the wonderful world of LED lighted water features. Designed as the connection center for all of Fiberstars fiberoptic water feature products, simply place in the ground, per the following instructions and hook up the fiber from the huge selection of our fiber products and enjoy the wonderful lighting effects from Fiberstars Color Light Stream.

IMPORTANT:

Read and follow all safety and installation instructions carefully.

The product must be installed in accordance with the applicable installation code by a person familiar with the construction and operation of the product and hazard involved.

COLOR LIGHT STREAM DECK BOX IS MADE OF ABS MATERIAL. USE ONLY ABS-PVC GLUE WHEN MAKING ANY PLUMBING CONNECTIONS TO THIS DECK BOX.

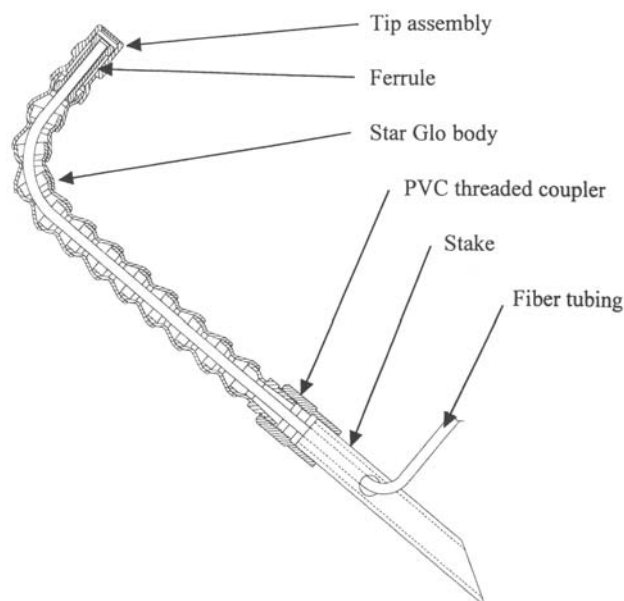
INSTALLATION OF THE COLOR LIGHT STREAM ROCK WATERFALL KIT

1. Prepare location by digging hole 2 feet in diameter and depth.
 - a. For in deck applications – Level the lid to the finished grade level of decking.
 - b. For planter areas – Deck Box lid should be 2 inches ABOVE the landscape area to prevent materials from intruding or washing the deck box.
2. Place deck box into the excavated hole with one of the connection holes pointed in the general direction of the conduit for the 12VAC wire to run in.
3. The bottom of the deck box can be supported by utilizing the 1” PVC support connection. The support pipe should be approximately 4” in length. You may also support the deck box to any decking rebar to help maintain the proper level by using the rebar support (4) wings on the deck box.
4. IT IS IMPERATIVE THAT ALL COLOR LIGHT STREAM DECK BOXES HAVE PROPER DRAINAGE. Install 1’ PVC on the bottom of the deck box into the drain line hole provided.
5. Run STAR GLO fixtures to desired locations and stake into ground. NOTE: Fiber lengths of STAR GLO fixtures are 25ft each fixture.

6. Glue into place all conduit pipes at this time. It is recommended that the 12VAC conduit for the wire on the Color Light Stream™ LED driver be no less than ¾". It is highly suggested that you install all fiber conduits with sweep fittings for easy installation.
7. Fill excavated area with gravel until the gravel reaches approximately 1" up on the bottom of the Color Light Stream deck box.
8. Finish your deck material installation making sure that the Color Light Stream Deck Box lid remains level. Utilizing the 3" adjustable Deck Flange on the deck box, adjust to match your deck height.
9. At this time run the supplied 100ft of 12VAC wire from the Color Light Stream LED driver through your conduit, back to the location of your transformer.
10. Run all fiber cable through their respective conduits to the Color Light Stream Mini Deck Box.
11. Fill all conduit connections inside the Color Light Stream Deck box with silicone or similar materials to prevent water from entering deck box interior.
12. Make wire connections per your UL Listed Outdoor Rated Class 2 transformer manufacturers directions. All wiring must be in compliance with local electrical codes and NEC.

You now are set to start enjoying the wonderful lit Color Light Stream Water Features manufactured by Fiberstars.

For additional product or installation help, please contact Fiberstars Technical Service department.



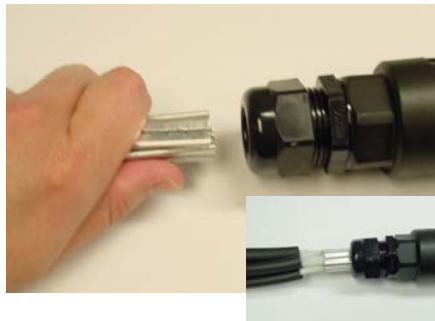
COLOR LIGHT STREAM™ FIBER PORT INSTALLATION



Remove Light Stream LED driver from bracket by unscrewing the mounting screw and sliding the LED driver from the bracket.



Hold the ferrules together to create a square shaped bundle.

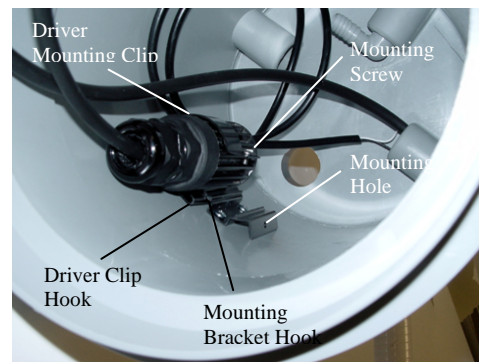


While holding the ferrules together, insert into the strain relief opening as illustrated.



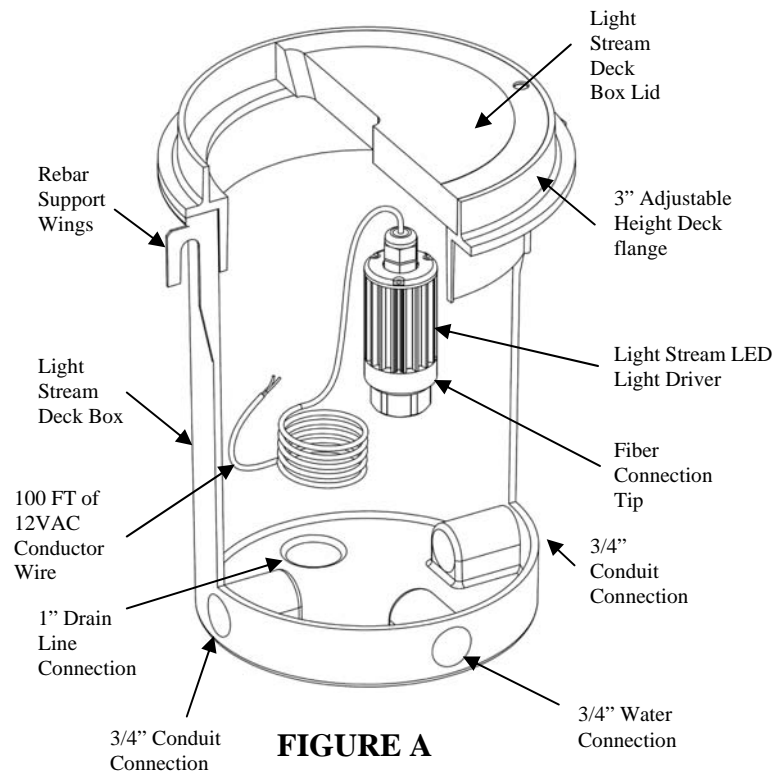
Gently push all the ferrules until it is completely inside the strain relief and cannot not be pushed any farther. Now **HAND** tighten the strain relief to hold the ferrules and fiber in place.

Slip the Driver Mounting Clip onto the Light Driver. Slide the Light Driver and Driver Mounting Clip onto the Driver Mounting Bracket using the Driver Clip Hook and the Mounting Bracket Hook as shown. Thread the Mounting Screw onto the Mounting Hole.



LIGHT CONTROL AND OPERATING INSTRUCTIONS:

1. Switch to on position – Light turns on, color is white and synchronization begins.
2. Switch off/on – Synchronization stops on desired color.
3. Switch off/on – Continue Synchronization from last color.
4. Switch off/on – repeat step #2.
5. Switch off for a minimum of 3 seconds and the unit will reset to step #1.



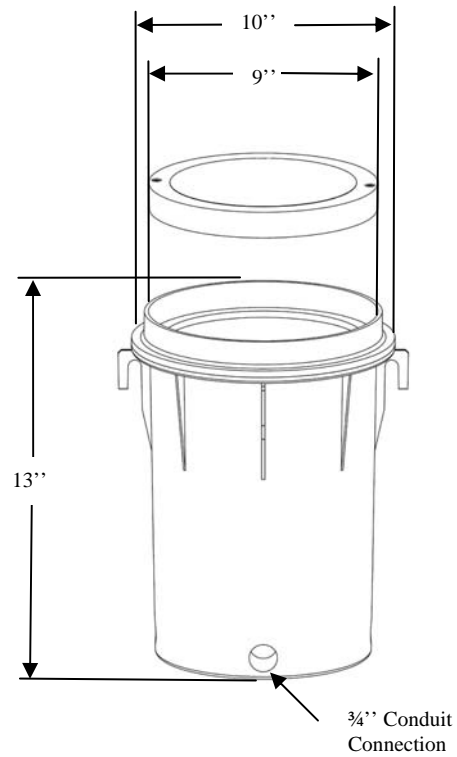


FIGURE B

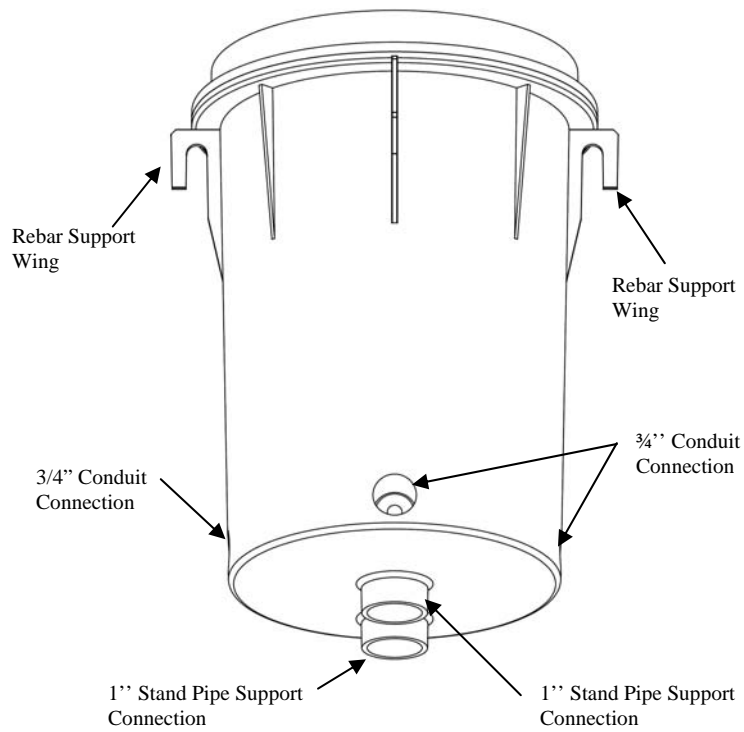


FIGURE C