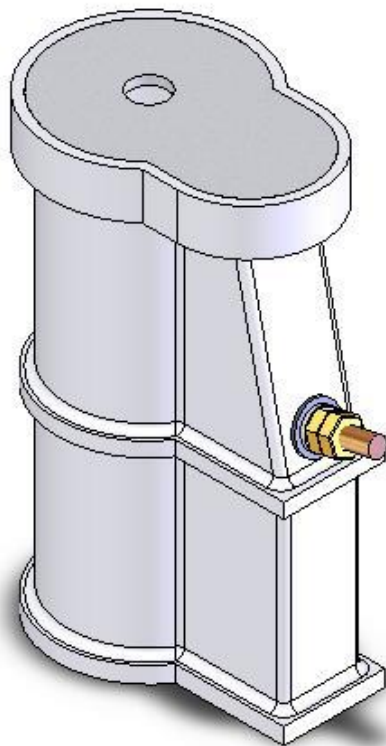




AS-100P ANCHOR INSTALLATION INSTRUCTIONS



SRS Australia PTY LTD

12 Enterprise St

Richlands QLD 4077

Australia

Phone 07 3812 2283 • Fax 07 3812 1187

Info-au@srsmith.com

www.srsmith.com/au

S. R. SMITH, LLC

CORPORATE HEADQUARTERS

P.O. Box 400 • 1017 S.W. Berg Parkway

Canby, Oregon 97013

USA

Phone (503) 266 2231 • Fax (503) 266 4334

www.srsmith.com

Introduction

The AS-100P 48mm/1.90in OD x 15.25cm/6in deep universal anchor system can be used for any of S.R. Smith's products that require a 48mm/1.9in diameter anchor. A 5cm/2in spacer is included for products that only require a 10cm/4in deep anchor socket.

Part List

Item No.	Description
1	Anchor Body
2	Anchor Cap
3	5cm/2in Anchor Spacer

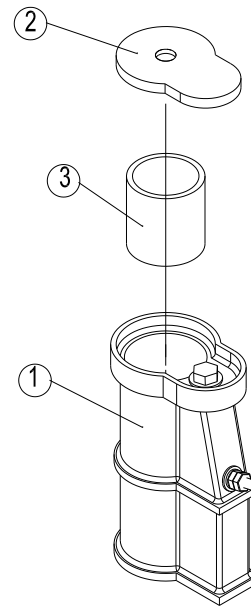


Figure 1 AS-100P Anchor

New Construction

Locate the anchor in the correct position on the deck according to the installation instructions for the product that will be used in the anchor sockets. Cover the hole in the bottom of the anchor with masking tape. Affix the anchor in place so that it will not move while the concrete is being poured. Follow the manufacturer's instructions for mixing the concrete and fill in the area around the anchor completely. Make sure the top edge of the anchor is flush with the concrete surface. Check that the anchor is level/plumb and allow the cement/epoxy to cure before installing the product post in the anchor.

Retrofit Instructions

Tools Needed (not included)

- Concrete core drill with 13cm/5in diameter
- cutter
- Hydraulic cement or anchoring epoxy
- Pry bar
- Sledge hammer
- Phillips head screwdriver
- Masking tape
- Bonding wire (if required)

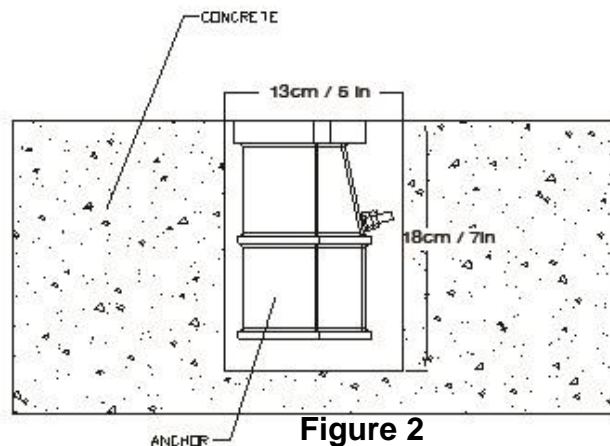


Figure 2

Installation Step 1

Determine the location for the anchor in the concrete. Mark and drill a minimum 13cm/5in diameter hole at least 18cm/6.5in deep. Use a pry bar or sledge hammer to break the core free from the base of the hole. Clean any debris from inside the hole, check the depth, and make sure the anchor fits. See Figure 2

If the concrete thickness is less than the required depth of the hole, proceed to Step 2. Otherwise, go to Step 3.

Installation Step 2

If the depth of the concrete is less than the depth of the hole required for installation, remove base/fill material below the concrete (18cm/7in total depth recommended) sufficient to fit the anchor. Make the diameter of the hole below the concrete slightly larger than the concrete core hole. See Figure 3.

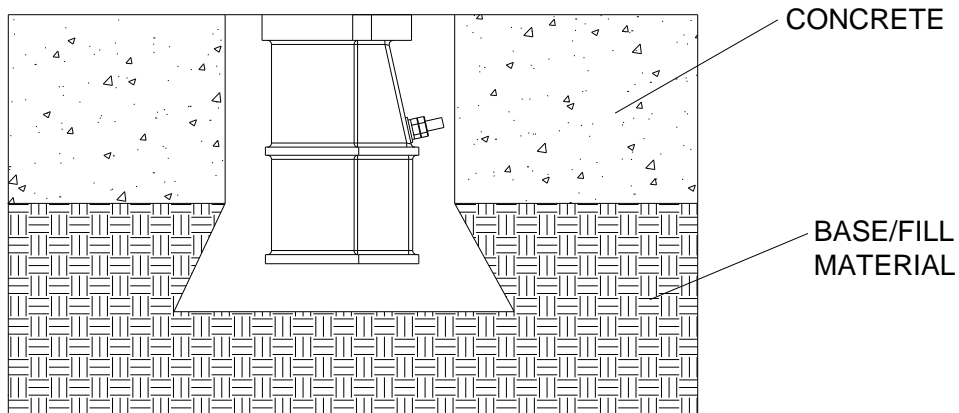


Figure 3

Installation Step 3

Electrically bond the anchor as required by the National Safety Code of Practice or greater local code by attaching a bonding wire from the bonding grid to the bonding screw on the anchor body.

Installation Step 4

Cover the hole in the bottom of the anchor with masking tape. Follow the manufacturer's instructions for mixing the hydraulic cement or anchoring epoxy and fill in the area around the anchor completely. Make sure the top edge of the anchor is flush with the concrete surface. Check that the anchor is level/plumb and allow the cement/epoxy to cure before installing the product post in the anchor.