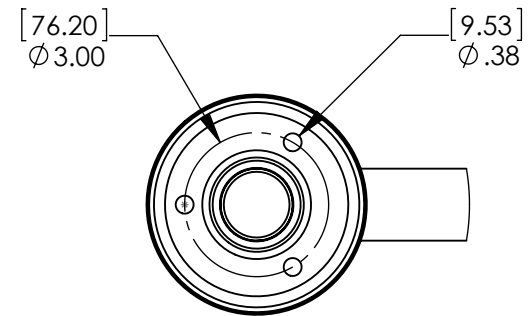
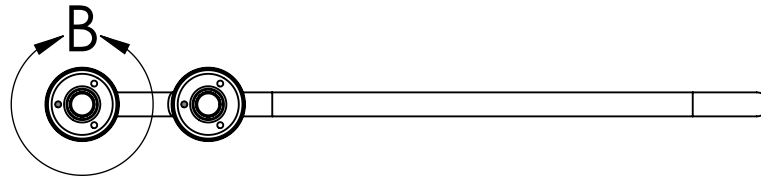
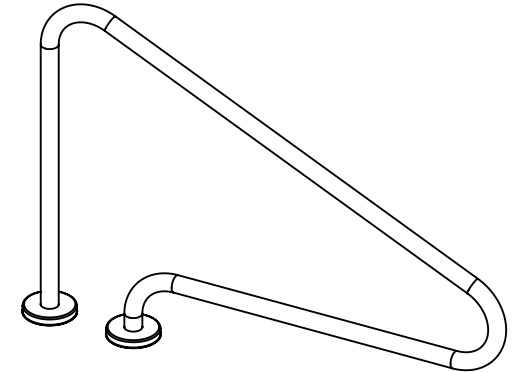
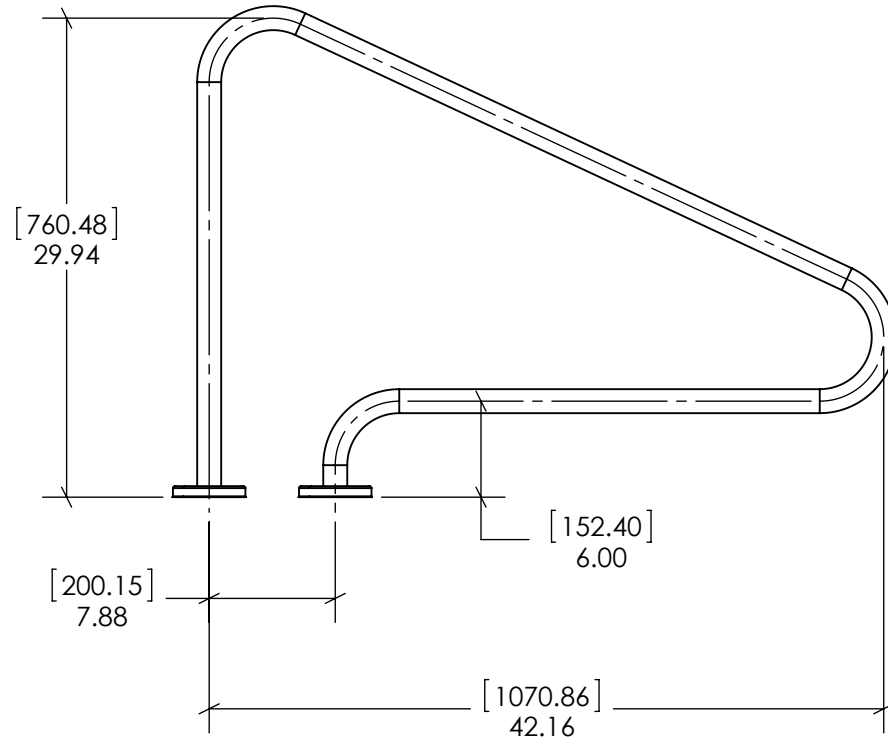
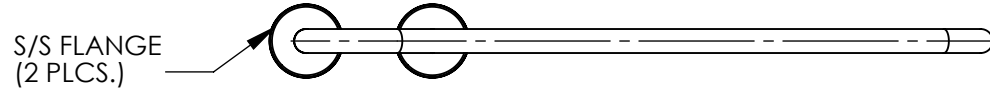


REVISIONS			
REV.	DESCRIPTION	DATE	ECN



DETAIL B
SCALE 1 : 4

TUBING LENGTH: 117.05"

UNLESS OTHERWISE SPECIFIED
DIMENSIONS ARE IN INCHES,
TOLERANCES ARE:
FRACTIONAL: ±1/16
ANGULAR: ±1°
TWO PLACE DECIMAL: ±.06
THREE PLACE DECIMAL: .. ±.031

DESCRIPTION:
DECK MOUNTED STAIR RAIL -
FLANGED (PAIR) 38MM X 1.2MM

MATERIAL:
1.50 x .065 (316L) S/S

PART NO.: SR-DF REV. A

DRAWN BY: DTJ DATE: 1/13/14

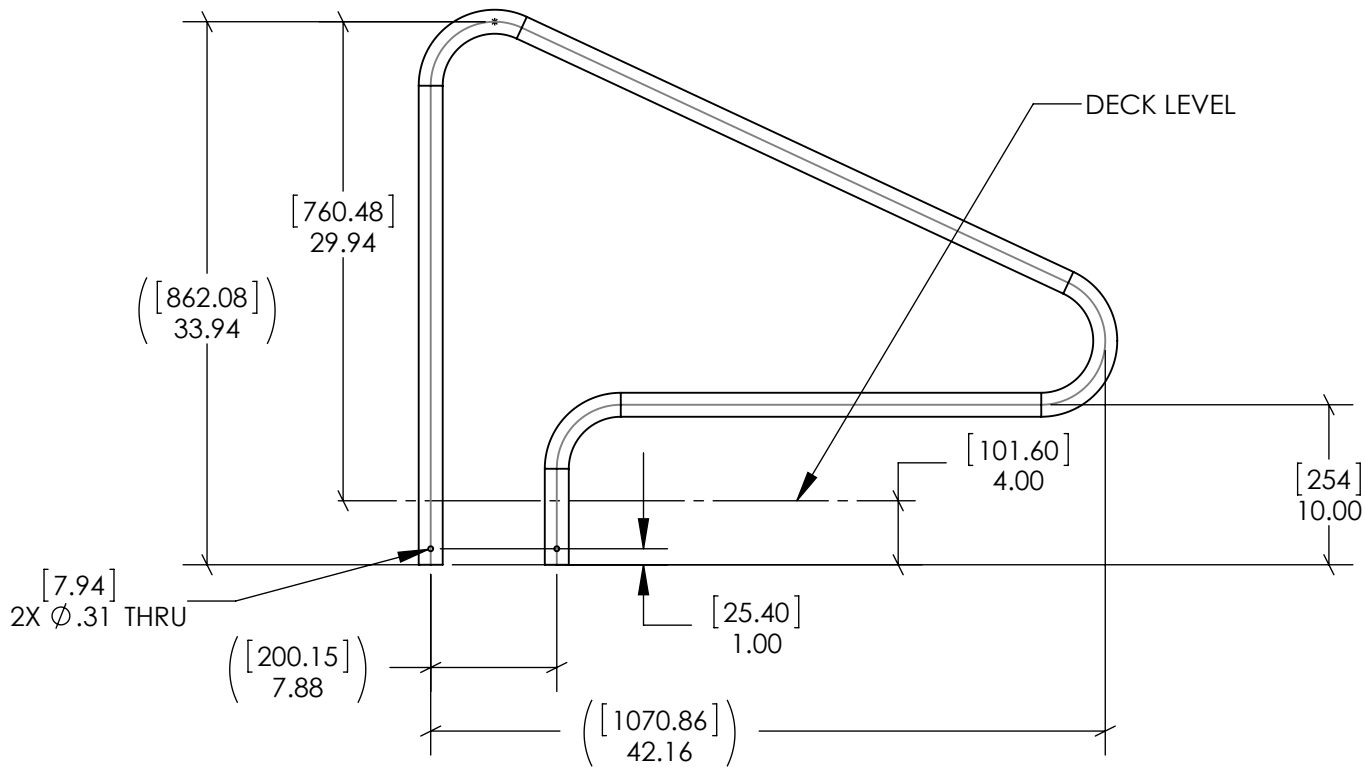
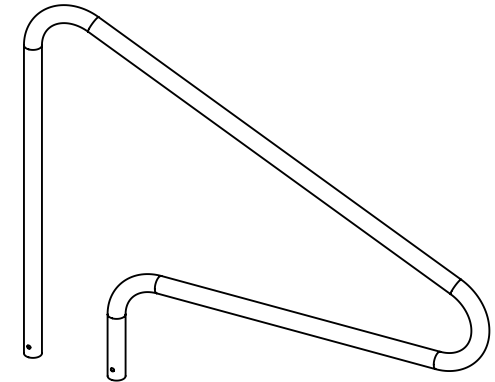
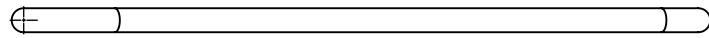
CHECKED BY: DATE:



P.O. BOX 400 - 1017 S.W. BERG PARKWAY
CANBY, OREGON 97013
PHONE (503) 266-2231

SIZE: A SCALE: 1:12 SHEET 1 OF 3

REVISIONS			
REV.	DESCRIPTION	DATE	ECN



TUBING LENGTH: 125.05"

UNLESS OTHERWISE SPECIFIED
DIMENSIONS ARE IN INCHES,
TOLERANCES ARE:
FRACTIONAL: ±1/16
ANGULAR: ±1°
TWO PLACE DECIMAL: ±.06
THREE PLACE DECIMAL: .. ±.031

DESCRIPTION:
DECK MOUNTED STAIR RAIL -
STANDARD (PAIR) 38MM X 1.2MM

MATERIAL:
1.50 x .065 (316L) S/S

PART NO.: SR-DS REV. A

DRAWN BY: DTJ DATE: 1/13/14

CHECKED BY: DATE:



P.O. BOX 400 - 1017 S.W. BERG PARKWAY
CANBY, OREGON 97013
PHONE (503) 266-2231