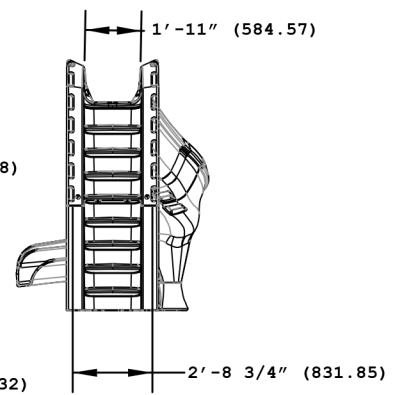
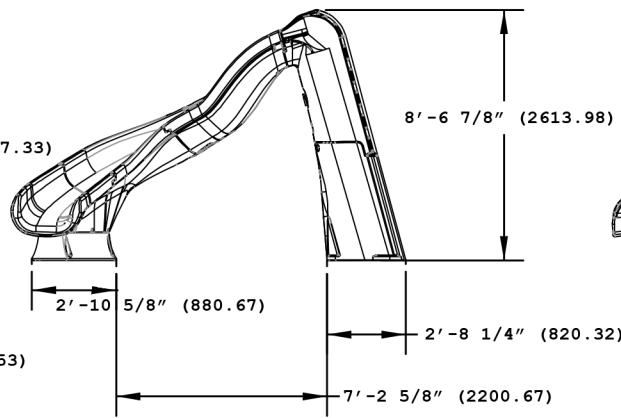
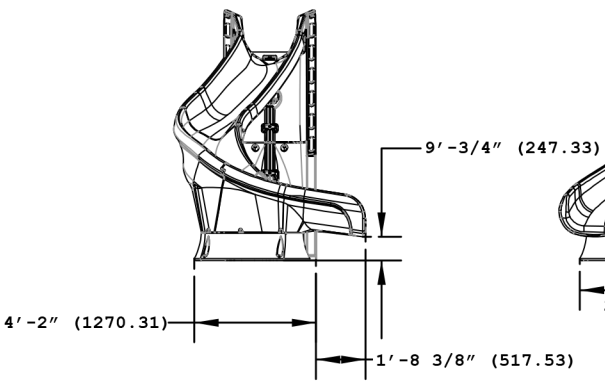


LOCATION OF "STUB"
FOR WATER SUPPLY
AT BASE OF LADDER.



UNLESS OTHERWISE SPECIFIED
DIMENSIONS ARE IN INCHES,
TOLERANCES ARE:
FRACTIONAL: ± 1/16
ANGULAR: ± 1°
TWO PLACE DECIMAL: ± .06
THREE PLACE DECIMAL: .. ± 0.01

DESCRIPTION: TURBOTWISTER SLIDE LEFT CURVE	
MATERIAL: ASSEMBLY	
PART NO: 688-209-582X	REV. A
DRAWN BY: X	DATE: 9.22.14
CHECKED BY:	DATE:



P.O. BOX 400 - 1017 S.W. BERG PARKWAY
CANBY, OREGON 97013
PHONE (503) 266-2231