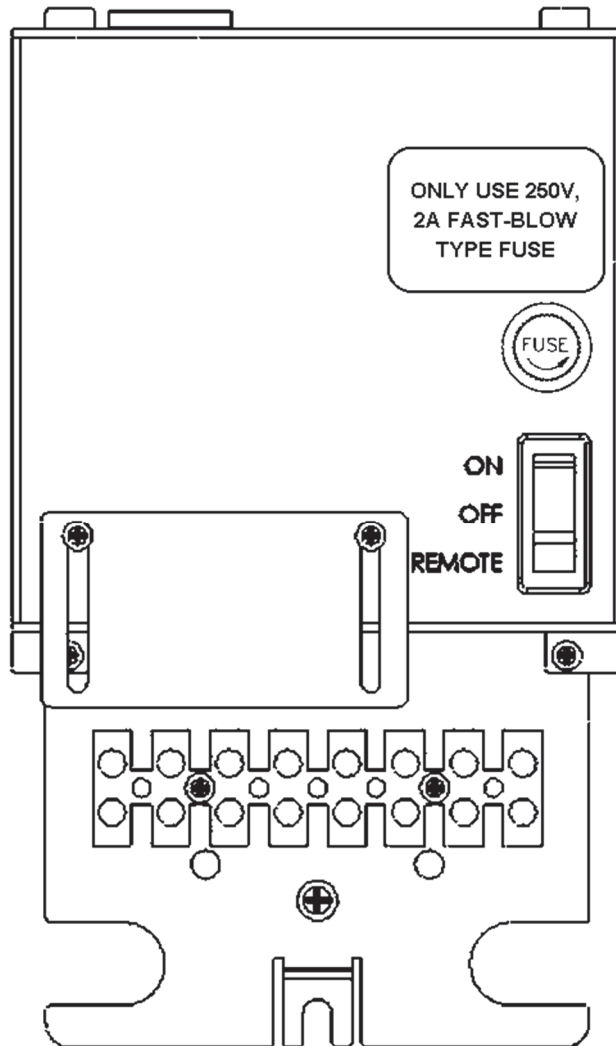


WIR-TRAN

Rated for use on 110/120VAC 60Hz applications

Installation Instructions: Read these instructions in its entirety before performing any installation work.

FOR USE WITH POOL AND SPA PRODUCTS



ETL LISTED
Conforms to UL STD 379;
Certified to CSA STD C22.2 #218.1



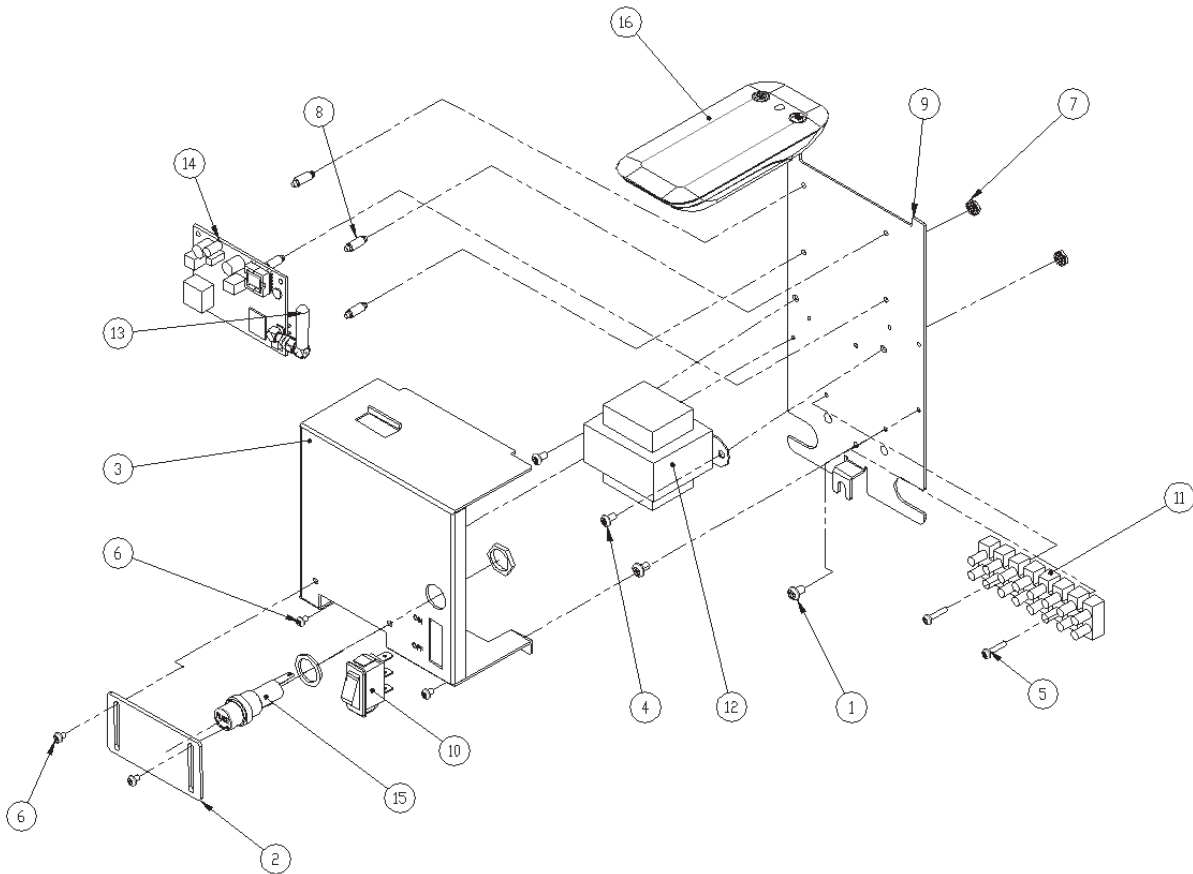
S.R.Smith • 1017 SW Berg Parkway P.O. Box 400 Canby, OR 97013 • phone: 800-824-4387 • srsmith.com

79-15204-00 REV.B8

JAN18

The WIR-TRAN consists of the following parts:

Item #	Qty.	Component Part #	Description
1	1	A10670	Screw, 8-32, 1/4" length
2	1	02-15285-00	Relay Cover
3	1	02-15314-00	Bracket Mount, WIR-TRAN
4	2	10-15031-03	Screw, 6-32, 1/4" length
5	2	10-15089-07	M3 Screw, 14mm length
6	6	10-15089-01	M3 Screw, 4mm length
7	2	11-15005-00	Nut, 6-32, Star Lock
8	4	14-15032-00	PCB Standoff
9	1	72-15210-00	Bracket, Mounting Plate
10	1	38-15012-00	Rocker Switch, 20A, 125VAC
11	1	41-15004-08	8 Position Terminal Block
12	1	LS-12V	Transformer, 12VAC
13	1	94-15265-00	Antennae, 5 CM, 915MHz
14	1	94-15262-00	Receiver, 1-CH, W/120VAC, 915MHz
15	1	A12664	Fuse Holder, 250V, 10A max
16	1	94-15261-00	Transmitter, 1-CH, pLX Graphic
17	2	41-15005-00	Push-Wire Connector, 6-Conductor, (not shown)
18	1	36-15015-00	Fuse, 250V, 2.0A, 1-1/4"x1/4", Fast-Blow (not shown)



**Accessory Items: pLX-ANTKT-S (3-meter External Antenna Kit)
pLX-ANTKT-L (15-meter External Antenna Kit)**

SAVE THESE INSTRUCTIONS!



ELECTRICAL SHOCK HAZARD – SWITCH DOES NOT TURN OFF INPUT POWER.
Failure to disconnect input power before servicing can lead to serious injury, or death.
Disconnect input power before servicing.
Replace all parts and panels before reconnecting power and operating
DANGER – FAILURE TO FOLLOW THESE WARNINGS, INSTRUCTIONS, AND THE OWNER’S MANUAL MAY RESULT IN SERIOUS INJURY OR DEATH.

IMPORTANT SAFETY INFORMATION

Basic safety precautions should be observed when operating the WIR-TRAN product and other associated equipment.

1. A qualified electrician must install the WIR-TRAN in accordance to the National and Local Electrical Codes.
2. The WIR-TRAN must not be less than 5 feet (3 meters in Canada) from inside edge of pool. **ONLY USE COPPER CONDUCTORS.**
3. Do not exceed the maximum ratings of individual components, wiring devices, and current carrying capacity of conductors.
4. For the bonding, grounding, installing, and wiring of underwater lights to the WIR-TRAN refer to Article 680 of the National Electrical Code or Article 68 of the Canadian Electrical Code.
5. This device should never operate equipment that could cause property damage, bodily injury, or death should it be activated unexpectedly.
6. Never allow children to operate the WIR-TRAN unsupervised.

FCC WARNING

1. This device complies with Part 15 of the FCC Rules. Operation is subject to the following two conditions: (1) this device may not cause harmful interference, and (2) this device must accept any interference received, including interference that may cause undesired operation.
2. Changes or modifications not expressly approved by S.R. Smith could void the user's authority to operate the equipment.

ELECTRICAL RATINGS

Do not exceed the maximum electrical output rating of 30W for the WIR-TRAN. Install a 20Amp, 120VAC GFCI Circuit Breaker for power input. Refer to pages 4 and 5 for installation instructions.

FUSE REPLACEMENT

To help protect internal parts, the WIR-TRAN is equipped with a fuse. In the event that the fuse needs replacement, only use a 250V, 2A Fast-Blow (fast acting) type similar to what is equipped from the factory. You may also order SR Smith part number 36-15015-00 from your local authorized distributor.

WARNING

- TURN OFF INCOMING POWER BEFORE SERVICING EQUIPMENT.
- ALL INSTALLATION AND MAINTENANCE WORK MUST BE PERFORMED BY QUALIFIED ELECTRICAL PERSONEL ONLY.
- GFCI BREAKER MUST BE USED TO CONNECT WIR-TRAN TO INPUT POWER.
- VERIFY ALL ELECTRICAL RATINGS BEFORE INSTALLATION IS COMPLETE.

LOCATION

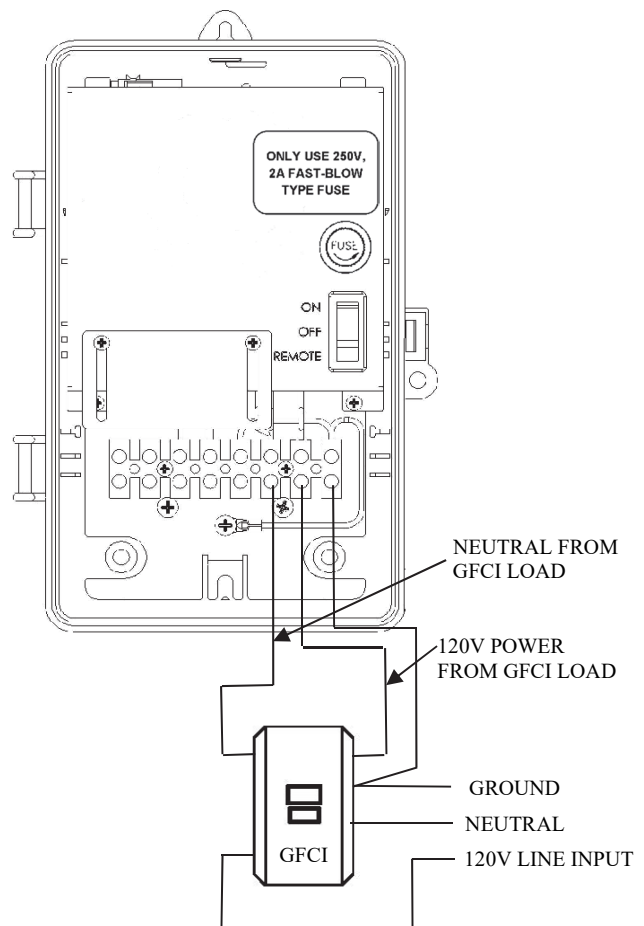
The WIR-TRAN is housed in a Type 3R rainproof enclosure and can be mounted anywhere between the pool equipment and the breaker panel.

WIRING INSTRUCTIONS

FOLLOW PROPER WIRING PRACTICES IN ACCORDANCE WITH ALL LOCAL REGULATORY REQUIREMENTS.

Power Connections:

To wire the WIR-TRAN use insulated COPPER wire only, 12 gauge minimum. Run a 1/2" to 3/4" conduit from the main breaker panel to the right most bottom conduit knock out of the WIR-TRAN. Pull appropriate wires from the main breaker panel to the WIR-TRAN unit. To make the input power connections, unscrew the Isolation Cover covering the right side of the terminal strip and remove 3/8 inches of insulation from the wire ends. Insert the bare end of wires under the pressure plate of terminals (Power Input 120V AC, NEUTRAL). Use 1/8-in. flat head screwdriver to tighten terminal screws firmly (10.0 in-lbs. minimum). Connect the house ground line to the Input Ground line on the WIR-TRAN. Install a 20 Amp max GFCI circuit breaker in the main breaker panel and connect the **HOT** wires from the WIR-TRAN. As a final step replace the Isolation Cover over the Input wire terminals and reattach the grounding attachment screw. Use provided cable tie to secure the Input Wires to the cover.

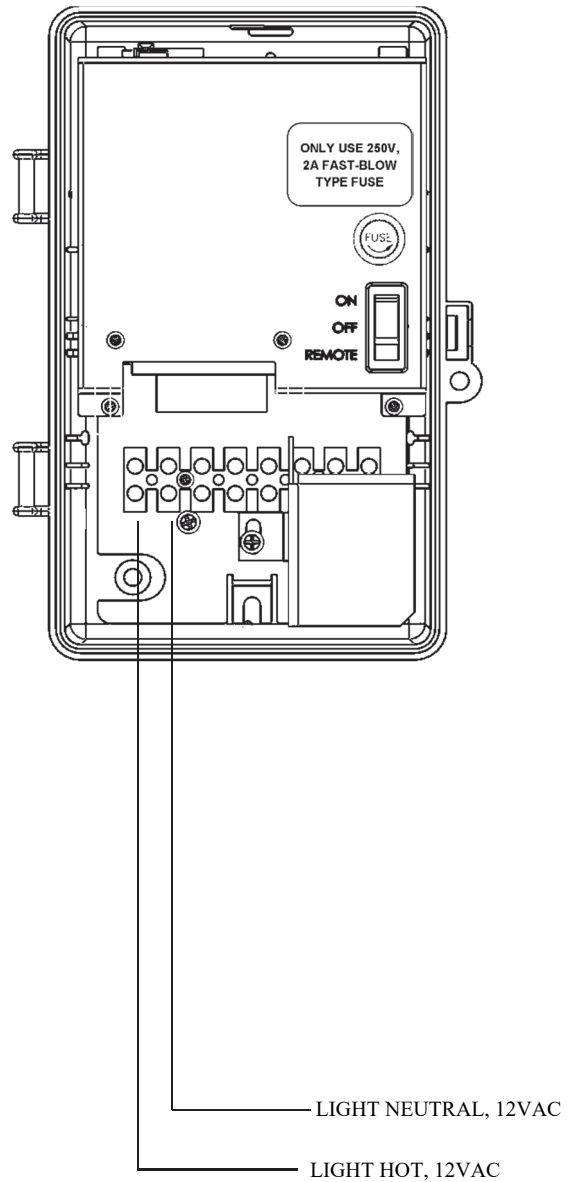


Hooking up 12VAC Light to Circuit 1

To connect a 12VAC light to the Circuit 1 switch, pull wires from the low voltage lighting product to the WIR-TRAN through conduits connected to the left bottom of the WIR-TRAN. Some lights may identify a 12VAC Hot and Neutral lead though this is not typical with 12VAC low voltage lighting. If it does identify specific leads, then follow the below instructions.

As illustrated, connect the light that will be operated by the Rocker Switch to the Light Hot terminal. Connect the Light Neutral to the Light Neutral terminal. Do not exceed demand of 30 watts @ 12V.

Two UL listed wire nuts have been included to simplify connection of up to five lights to the terminal strip. If conductors are stranded 18AWG wire or smaller, use a crimping tool and the supplied copper wire ferrules for a secure installation.



OPERATING INSTRUCTIONS

WIR-TRAN ROCKER SWITCH OPERATION

The WIR-TRAN utilizes one rocker switch for operation with the wireless transmitter.
The switch must be in the MIDDLE position before powering on for the first time.

To Turn ON Manually:

Flip the Rocker Switch to the 'UP' or 'On' position.

***Note** – When the Rocker Switch is in the ON position, the Wireless Remote will not work.

To Turn OFF:

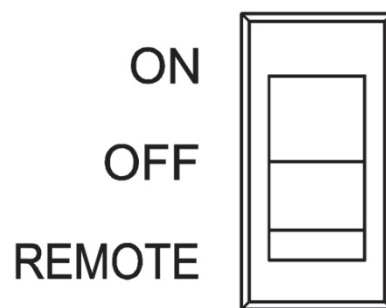
Flip the Rocker Switch to the 'MIDDLE' or 'OFF' position.

***Note** – When the Rocker Switch is in the OFF position, the Wireless Remote will not work.

To Turn On wireless Remote Operation:

Flip the Rocker Switch in the 'Down' position or the 'Remote' position.

***Note** – Remote Operations will not work unless the Rocker Switch is in the 'Down' position or the 'Remote' position.



NOTE: Switch is shown in the ON position.

Warranty information

For Lighting product warranty information and details, please visit our website: www.srsmith.com/warranty

	ATTENTION
ELECTRICAL SHOCK HAZARD - SWITCH DOES NOT TURN OFF INPUT POWER. Failure to disconnect input power before servicing can lead to serious injury, or death. Disconnect input power before servicing. Replace all parts and panels before reconnecting power and operating.	
70-15482-00 REV. C	



WIRELESS REMOTE OPERATION

The RF remote system requires no complex programming and is shipped ready to use. In the event that another WIR-TRAN or similar device is installed nearby and is operating on the same pairing code, that code (A-P) may be easily changed by choosing another via the 4 position DIP switch package found inside the battery compartment of the remote. The receiver board inside the control panel will also need to be changed to match. Note – *the default code as shipped is Code A on both the remote and the receiver.*

Sleep Mode:

To conserve battery power, the remote will enter standby mode when no function has been selected for 30 seconds or more. To wake the remote, simply press the ‘1’ or ‘S’ button momentarily. The indicator will light up solid for 5 seconds indicating that it is ready to transmit. A rapidly flashing indicator indicates that a command signal was sent to the control panel.

To Turn On Using the Wireless Remote Operation:

Push the button marked (1) ‘ON/OFF – COLOR CHANGE’ to toggle on and off the power of the WIR-TRAN.

Color Changing Operation

To change LED pool light colors simply toggle the power OFF, then ON using the button marked ‘1’ within 1 second. Continue toggling until the desired color or light show is reached.

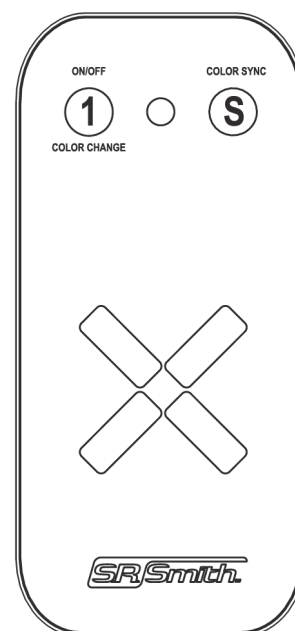
‘New Feature’

1 Button - Color Sync / Reset Operation

(only for SR Smith LED Treo, FG, Treo Micro & LED water features)

To color synch lights in a multi-light installation, simply press the “S” button once and wait 15 seconds. During this time, the lights will flash on and off several times, pause in the off mode, then finally resume at color mode 1 (soft color change).

***Note** – The Rocker Switch on the WIR-TRAN must be set to REMOTE for wireless operation.



Pairing Code Chart				
DIP Switch	1	2	3	4
Code A	OFF	OFF	OFF	OFF
Code B	ON	OFF	OFF	OFF
Code D	OFF	ON	OFF	OFF
Code C	ON	ON	OFF	OFF
Code E	OFF	OFF	ON	OFF
Code F	ON	OFF	ON	OFF
Code G	OFF	ON	ON	OFF
Code H	ON	ON	ON	OFF
Code I	OFF	OFF	OFF	ON
Code J	ON	OFF	OFF	ON
Code K	OFF	ON	OFF	ON
Code L	ON	ON	OFF	ON
Code M	OFF	OFF	ON	ON
Code N	ON	OFF	ON	ON
Code O	OFF	ON	ON	ON
Code P	ON	ON	ON	ON

Performance Note – For best range results, hold the remote vertically (pointed at the sky).

