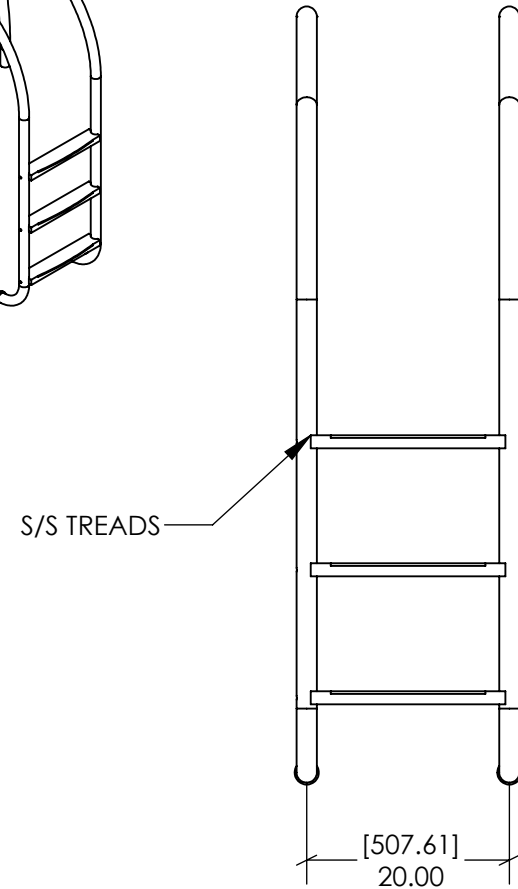
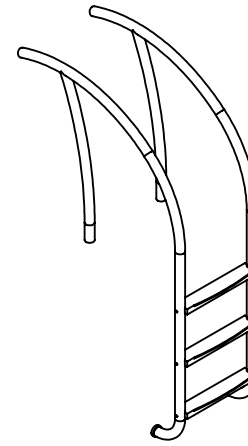
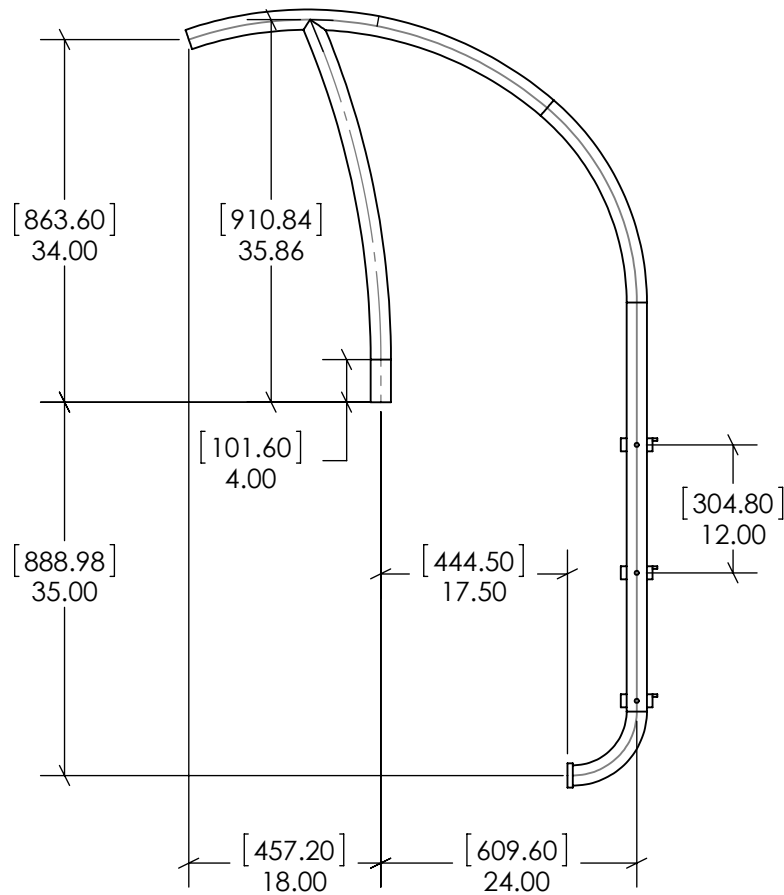


* LEG LENGTHS INCLUDE 4" TO GO INTO ANCHORS.



UNLESS OTHERWISE SPECIFIED
DIMENSIONS ARE IN INCHES,
TOLERANCES ARE:

WELDED LEG LOCATION.....+/- .125
ANGLES.....+/- .5 DEGREES
ELEVATIONS.....+/- .125
OVERALL LENGTH
UNDER 18'.....+/- .188
OVER 18'.....+/- .375

DESCRIPTION:

ARTISAN 3-STEP LADDER
MARINE GRADE

MATERIAL:
1.90 x .065 (316L) S/S TUBING

PART NO.: ART-1003-MG

REV. A

DRAWN BY: DTJ

DATE: 1/10/13

REVISED BY:

DATE:



P.O. BOX 400 - 1017 S.W. BERG PARKWAY
CANBY, OREGON 97013
PHONE (503) 266-2231

SIZE: A

SCALE: 1:18

SHEET 1 OF 1

RAIL #

JOB #

QUANTITY:

1

WEIGHT:

40 LBS.