

TURBOTWISTER™

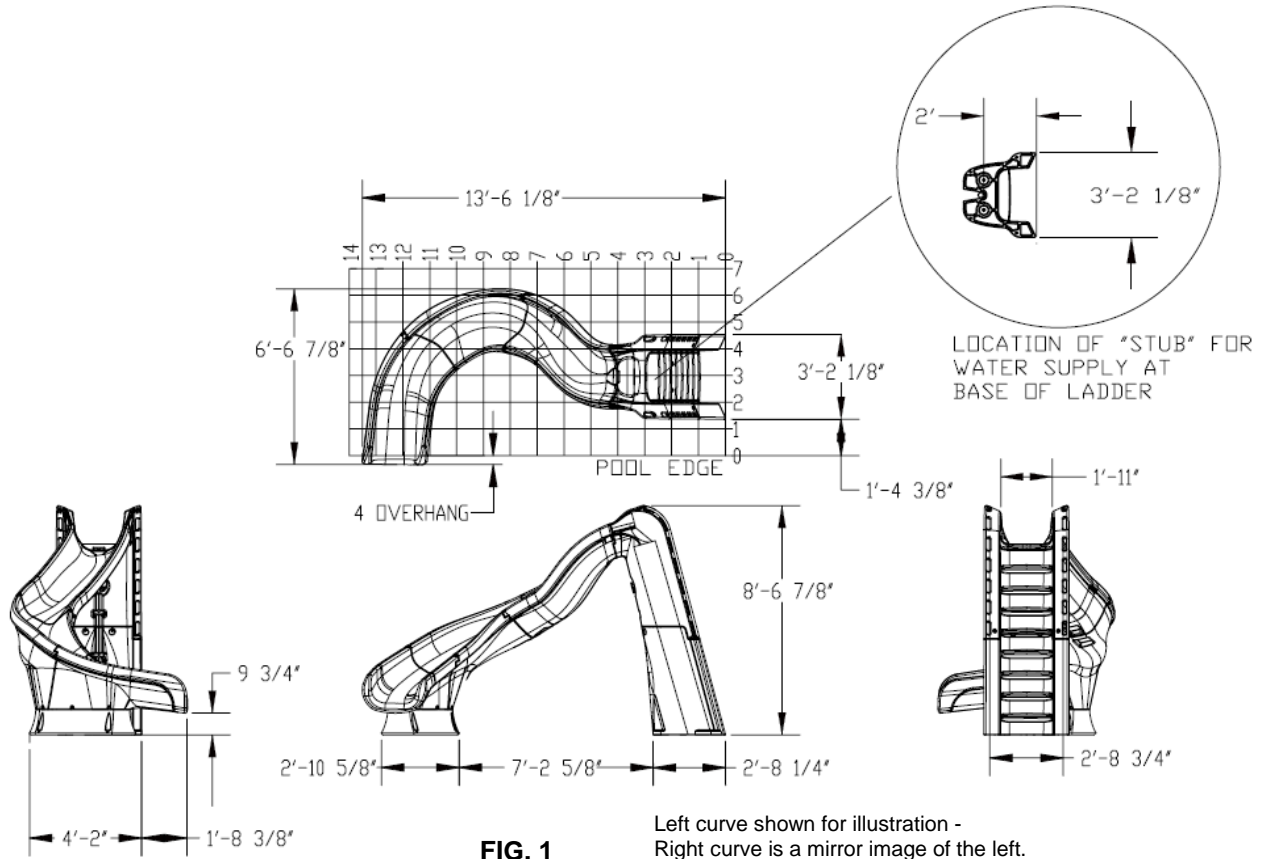
INSTALLATION INSTRUCTIONS For PAVER DECKS



CORPORATE HEADQUARTERS
WESTERN SALES AND MANUFACTURING PLANT
P.O. Box 400 • 1017 SW Berg Parkway
Canby, Oregon 97013
Phone: (503) 266-2231 • Fax: (503) 266-4334
www.srsmith.com

INTRODUCTION

The TurboTwister™ slide is designed and manufactured for installation and use on swimming pools only. TurboTwister™ slides are NEVER to be installed and used on houseboats, boat docks, floating docks or platforms, or other bodies of water such as lakes, ponds, rivers, etc. Proper and complete assembly, use and supervision is essential for proper operation and to reduce the risk of accident or injury.



PAVER MOUNTING KIT PARTS LIST - TURBOTWISTER™

ITEM #	PART #	DESCRIPTION	QTY.
1	5-241	1/2" x 10" Anchor Stud	8 ea.
2	05-14-115	1/2" Lock Washer	8 ea.



(1)



(2)

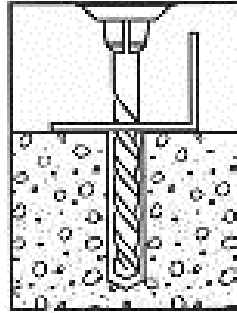
Tools Required:

1. Rotary hammer drill
2. 1/2" concrete drill bit
3. 3/4" socket or wrench
4. Hammer
5. Chalk line
6. Level

PAVER MOUNTING INSTRUCTIONS

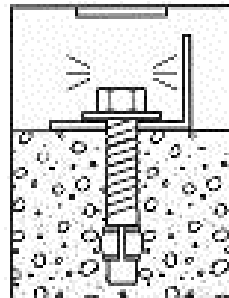
1. Place the assembled slide on the deck relative to the pool wall. Ensure that the exit flume clears any coping. Slide may be angled slightly providing all dimensions are maintained as noted in the **Manufacturer's Placement Instructions** noted in Installation & Assembly instructions.
2. With the slide in its proper location, mark the perimeter on the deck with a chalk line to show the area where the concrete pad is to be poured. Refer to Fig. 1.
3. Remove enough pavers so that a concrete pad can be poured large enough to anchor the slide. Pad should be approximately 6' wide x 13' long x 4" thick.
4. Excavate and pour concrete. Allow sufficient time for the concrete to cure, see concrete manufacturer for recommended curing time, before replacing pavers.
5. With the slide in its proper position, center punch or otherwise mark through the (8) mounting holes at the bottom of the ladder and pedestal so that a visible mark is apparent on the pavers.
6. Move the assembled slide aside to facilitate drilling of the anchoring holes.

7. Using a power drill and a 1/2" concrete drill bit, drill the holes to a depth of 4" plus the thickness of the pavers. Use tape or a marking on the drill bit to ensure that the hole for the anchor is drilled to the required depth. Maintain drill hole straight and perpendicular for proper holding strength of anchor stud.

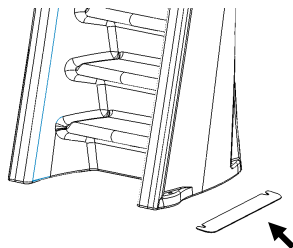


8. Clear the holes of all debris. Lightly tap an anchor into each hole. There needs to be a minimum of 3" of the anchor extending above the paver.

9. Move the slide over the anchors. With the slide in position, place a flat washer, lock washer and nut onto the anchor in that order respectively..



10. Ensure the slide ladder is plumb by placing a level on a ladder tread. If necessary, shims have been provided to place beneath the base of the ladder to ensure it is plumb due to varying deck slopes. Shims may be stacked on top of each other.



11. Expand anchor by tightening nut 3 to 5 turns. Tighten nut to a torque of 55 ft.-lbs.

