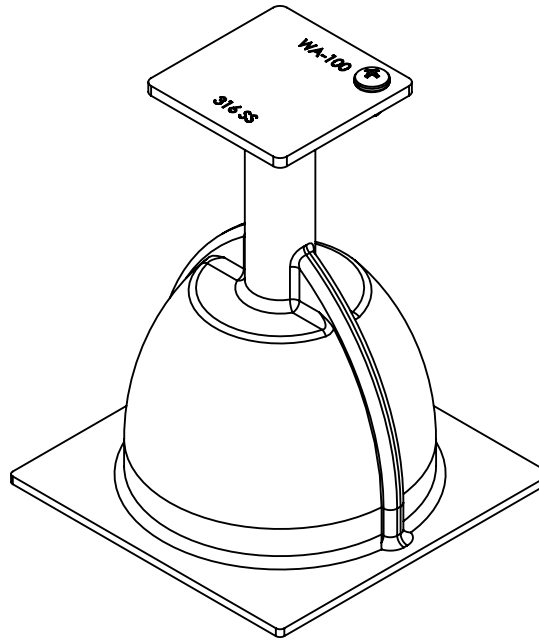
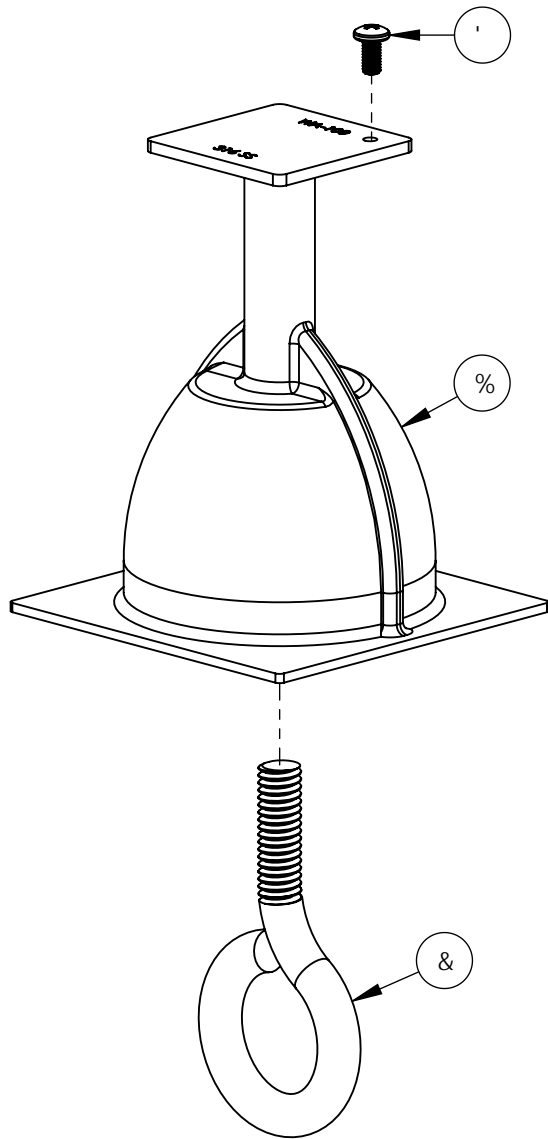


F9J 66 BG			
F9J "	8 9G7 F-DHC B	8 5H9	97 B
5	-B #H5 @F 9@95 G9	) #/ % #&\$%+	



#DA BC "	D5 FH BI A 69F	8 9G7 F-DHC B	E HM
%	K 5!%\$\$!%		%
&	&(\$\$&&\$A ;	9M9'6C @H	%
'	, \$\$!%\$' &	%\$!' &'I B 7 'I ' #, "'@ B ; D5 B '<95 8 G7 F 9K ž 6F 5 GG	%

7 C DMF ÷ <H&\$%) 'G'F'"GA #kž'@7 "	I B @9GC Hk 9FK 69 GD97 ÷ 98 8-A 9BG€ BG5F9-B 'B 7 <9Gž HC @F5B7 9G'5F9 : F57 HC B5@ ..... ±%#/%* 5B: I @F. .... ±%° HK C 'D@57 9'897-A 5@'..... ±"\$% HkF99D@57 9'897-A 5@'..... ±"\$\$\$)		89G7 F-DHC B.		D'C"6CL'(\$\$! %\$%+ GK "69F; D5F?K 5M 75B6MCF9, CB "- +\$% D<CB9f) \$' Ł&*!&&' %	
	8 9G7 F-DHC B % 8 9G7 F-DHC B &		A 5HF-5@ 5 GG9A 6@M			
	D5FHBC". K 5!%\$\$'5 ggYa V'm		F9J" 5			
	8F5K B 6M 8; H		85H9) #/ % #/ %+			
	7 <97 ?98 6M	85H9.		GAP 5 G7 5 @9. %& G<99H% C : "		

