

BCHD.

% 8-A 9BGCB5@HC @F5B79K @C @C K

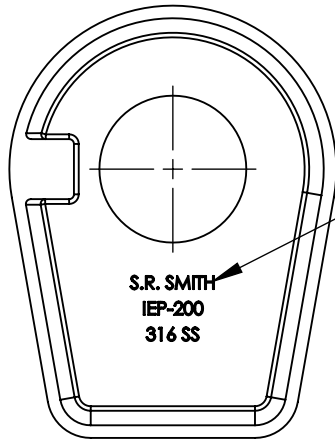
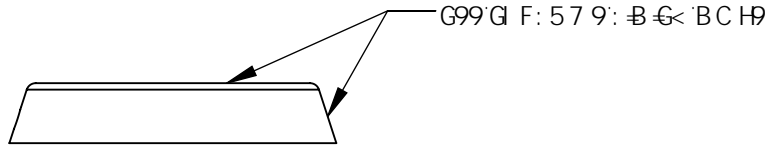
\*\*\*\*\*GC', \$\* & 7H

I B @9GC H 9FK 69 GD97 ÷ 98 8-A 9BGCB5@HC @F5B79K @C @C K HC @F5B79G5F9 : F57 HC B5@ ±#/% 5B: I @F. ±% HK C D@579897 A 5@ ±\$* HkF99D@579897 A 5@ ±\$ %	89G7F-DHCB.		%		
	% @ 7 ? B ; '9G7 I H7 < 9C B		A 5HF-5@		
	D5FHBC".		F9J" 5%		
	8F5K B 6M A 9?	85H# + #) #/0+	7 < 97 ? 98 6M		5

7 C DMF ÷ < H & \$ % ) ' G ' F " " GA # k ž @ @ 7 " "


G < 99H % C : ' &

F9J GCBG				
NC B9	F9J "	8 9G7 F-DHC B	85H9	5DDFC J 98
!	5	B #H5 @F9@95G9	) #/#/#+	A 5H



: CBHGM@. 7 9BH FM; C H<=7  
 : CBHGA9. %  
 <9≠ <H '\$'\$ &) "'@", ' Q

BCH9  
 % '7 5GH B; 'G I F: 57 9FC I ; <B9GGHC 'K #k-B FU '\*"  
 & 'DC @G<-B; 'G I F: 57 9FC I ; <B9GG  
 '""HC 'K #k-B FU '\$"('

I B @9GGC H<9FK <9 GD97 ≠ 98 8-A 9BGE BG5F9-B 'B7 <9Gz HC @F5B7 9G5F9 : F57 HC B5@ ±#/#% 5B: I @F. ±%° HK C 'D@57 9897 A 5@ ±"±\$* HkF99D@57 9897 A 5@ ±"±\$' %	89G7 F-DHCB. %) '@ 7 ? B; '9G7 I H7 <9C B			
	A 5HF-5@ ' % " GG			
	D5FHBC". -9D! &\$\$		F9J" 5 %	
	7 C DMF ≠ <H&\$%\$ 'G'F "'GA #kž @@7 "	8F5K B 6M A 9?	85H9. +#) #/#+ 85H9.	GAP. 5