

DMS custom rail **request**

Project Name _____ Residential Commercial

Distributor Name _____ Distributor Contact Name _____

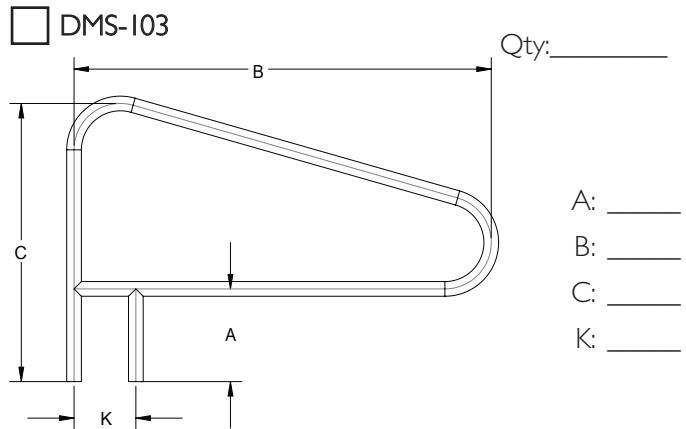
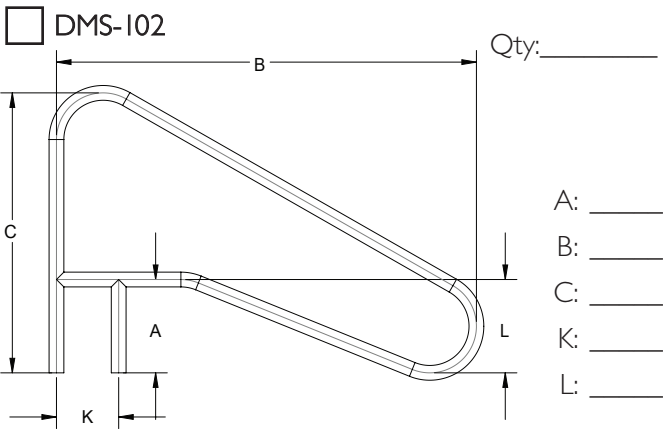
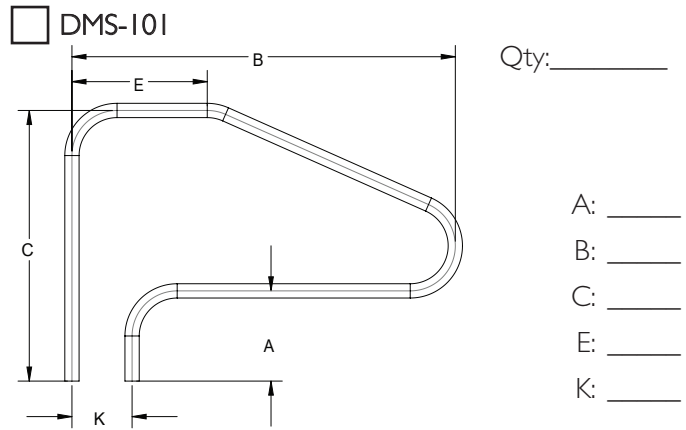
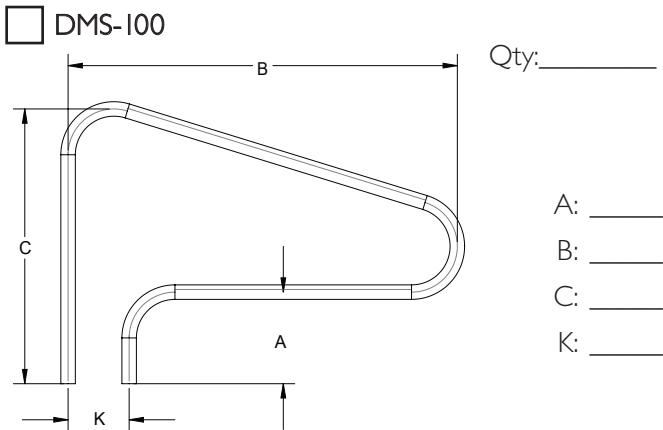
Distributor Address _____ City _____ State _____ Zip _____

Distributor Phone _____ Fax _____ Distributor Email _____

Tubing: Outside Diameter 1.50" **ONLY** 1.90"
 Wall Thickness .120" .049" (res. only) .065" .109" .145" (304 only)
 Grade 304 (standard) 316L (marine grade)
 Coating: Powder Coating* None White Taupe Rock Gray
 SealedSteel Vinyl* None White Taupe Pewter Gray
 *Escutcheons not included.

Available from AZ Only

Powder Coating White Black Earth Copper Vein Hammertone Light Gray
 Thermo Plastic White Tan Gray



Please fax to 615.323.1573 or email customrails@srsmith.com

toll free 877.325.0768
 fax 615.323.1573
 email customrails@srsmith.com

