

DMS custom rail **request**

Project Name

Distributor Name

Distributor Contact Name

Distributor Address

City

State

Zip

Distributor Phone

Fax

Distributor Email

Application:

Residential

Commercial

Qty: _____

Tubing: Outside Diameter

1.50" **ONLY**

1.90"

Wall Thickness

.120"

.049"

.065"

.109"

.145" (304 only)

Grade

304 (standard)

316L (marine grade)

Coating: Powder Coating*

White

Taupe

Rock Gray

None

SealedSteel Vinyl*

White

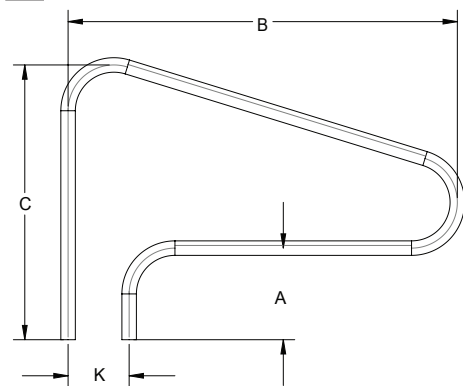
Taupe

Gray

None

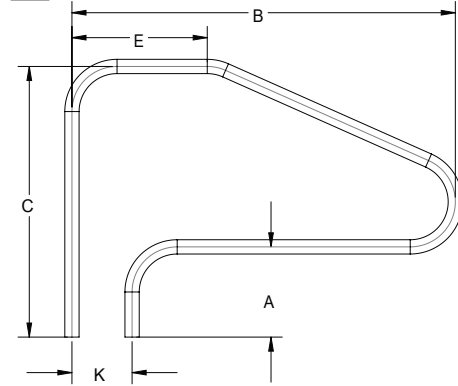
*Escutcheons not included.

DMS-100



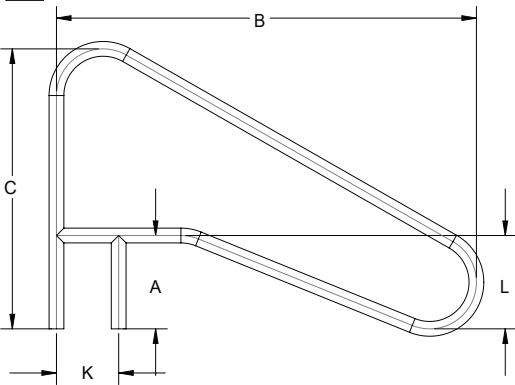
A: _____
B: _____
C: _____
K: _____

DMS-101



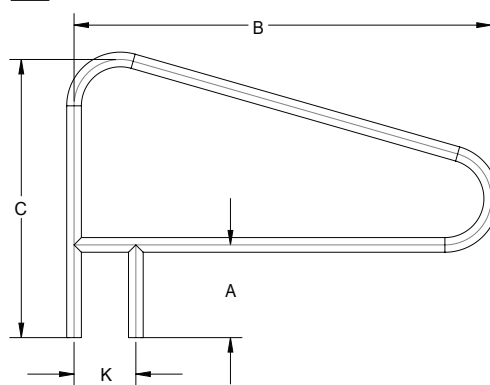
A: _____
B: _____
C: _____
E: _____
K: _____

DMS-102



A: _____
B: _____
C: _____
K: _____
L: _____

DMS-103



A: _____
B: _____
C: _____
K: _____

Please fax to 615.323.1573 or email customrails@srsmith.com

toll free 877.325.0768
fax 615.323.1573
email customrails@srsmith.com

