

# Custom Basketball Games **Request**

Project Name \_\_\_\_\_

Residential  Commercial

Distributor Name \_\_\_\_\_

Distributor Contact Name \_\_\_\_\_

Distributor Address \_\_\_\_\_

City \_\_\_\_\_

State \_\_\_\_\_

Zip \_\_\_\_\_

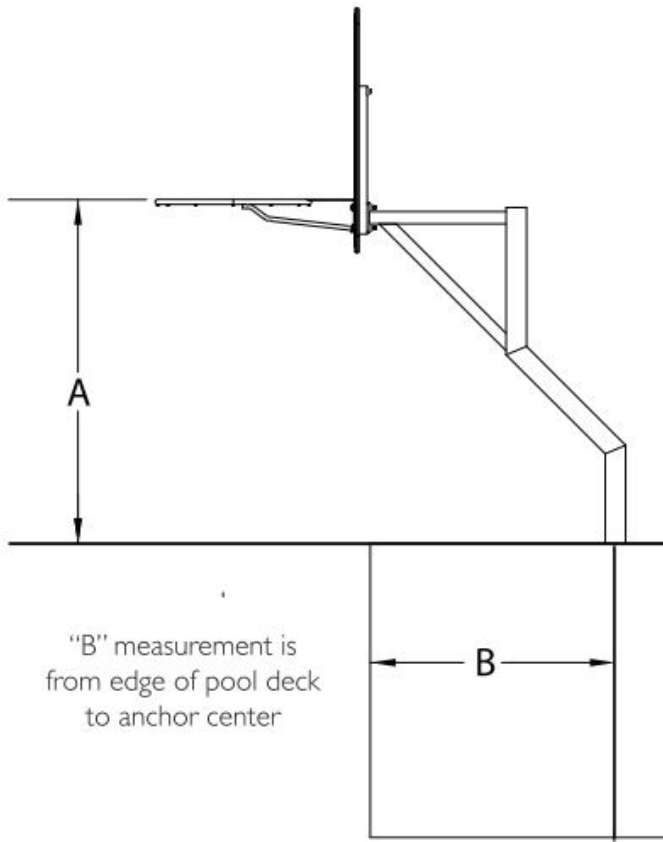
Distributor Phone \_\_\_\_\_

Fax \_\_\_\_\_

Distributor Email \_\_\_\_\_

## RockSolid® Single Post (BASK-ERS-9999)

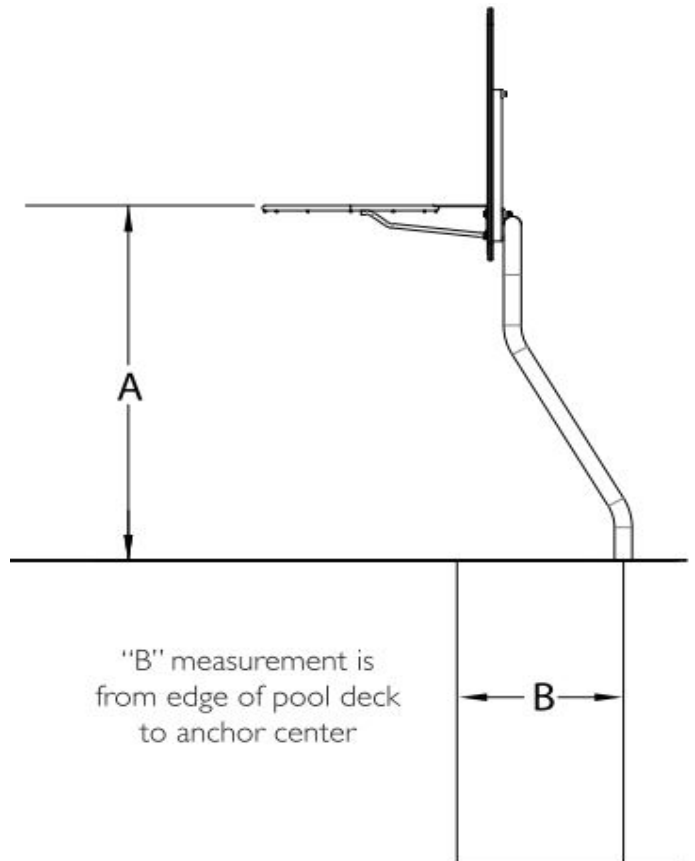
2.5" square stainless-steel, vinyl coated in SealedSteel®  
Height range (deck to rim) - 42" to 84"  
Setback range (center of post to pool edge) - 18" to 30"



Height (A) \_\_\_\_ Setback (B) \_\_\_\_

## Swim N' Dunk Dual Post (BASK-EC-9999)

1.90" OD - Stainless Steel Vinyl Coated Black  
Height range (deck to rim) - 42" to 72"  
Setback range (center of post to pool edge) - 18" to 36"



Height (A) \_\_\_\_ Setback (B) \_\_\_\_

Please fax to 615-805-3246 or email [customrails.srs@fluidra.com](mailto:customrails.srs@fluidra.com)

Phone: 615-805-3246

Fax: 615-805-3246

Email: [customrails.srs@fluidra.com](mailto:customrails.srs@fluidra.com)

