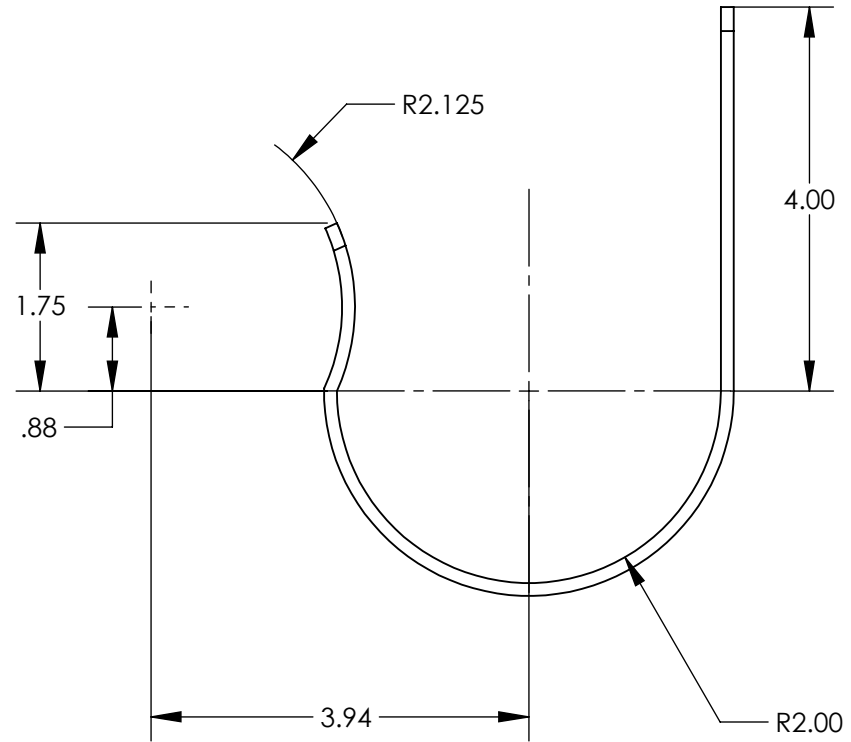
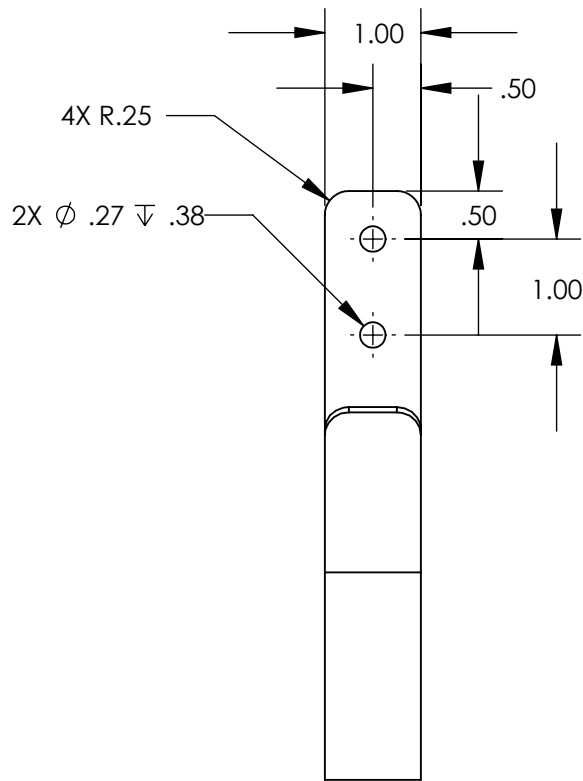


REVISIONS			
REV.	DESCRIPTION	DATE	ECN



UNLESS OTHERWISE SPECIFIED
DIMENSIONS ARE IN INCHES,
TOLERANCES ARE:
FRACTIONAL: \pm 1/16
ANGULAR: \pm 1°
TWO PLACE DECIMAL: \pm .06
THREE PLACE DECIMAL: .. \pm .031

DESCRIPTION:		LIFE RING HOOK	
MATERIAL:		10GA. X 1" FLAT BAR 316 L SS	
PART NO.:		4-173-1	REV. A
DRAWN BY:		Z BOYER	DATE: 8/22/17
CHECKED BY:			DATE:



P.O. BOX 400 - 1017 S.W. BERG PARKWAY
CANBY, OREGON 97013
PHONE (503) 266-2231