

COMMERCIAL RAILS & LADDERS

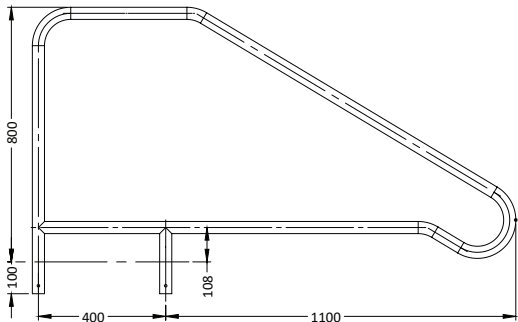
Offering a wide range of hand-crafted traditional models to suit every application.



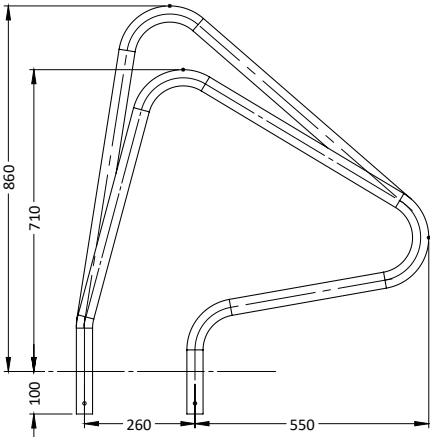
- 38mm OD Tubing
- 316L Marine Grade Stainless Steel
- 1.6mm wall thickness
- Flanged models available

Commercial Rails & Ladders

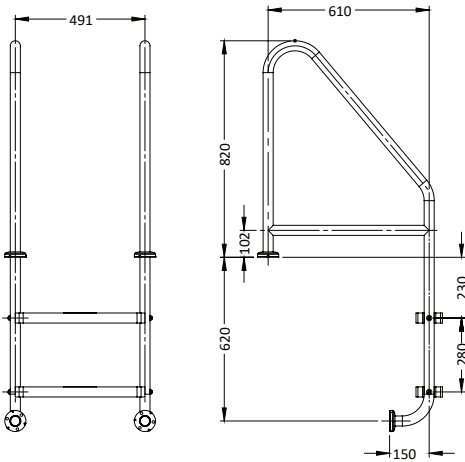
Model/Item No.	Description
SR-7S	Dual Height Figure 4 Grab Rail - Standard
SR-7F	Dual Height Figure 4 Grab Rail - Flanged
SR-GS	Long Sturdy Stair Rail - Standard (single)
SR-GF	Long Sturdy Stair Rail - Flanged (single)
SR-CS-2	Commercial Two-Step Ladder - Standard
SR-CFT-2	Commercial Two-Step Ladder - Flanged Top
SR-CF-2	Commercial Two-Step Ladder - Flanged Top & Bottom
SR-CS-3	Commercial Three-Step Ladder - Standard
SR-CFT-3	Commercial Three-Step Ladder - Flanged Top
SR-CF-3	Commercial Three-Step Ladder - Flanged Top & Bottom
SR-CS-4	Commercial Four-Step Ladder - Standard
SR-CFT-4	Commercial Four-Step Ladder - Flanged Top
SR-CF-4	Commercial Four-Step Ladder - Flanged Top & Bottom
SR-WS-2	Gutter Two-Step Ladder - Standard
SR-WFT-2	Gutter Two-Step Ladder - Flanged Top
SR-WF-2	Gutter Two-Step Ladder - Flanged Top & Bottom
SR-WS-3	Gutter Three-Step Ladder - Standard
SR-WFT-3	Gutter Three-Step Ladder - Flanged Top
SR-WF-3	Gutter Three-Step Ladder - Flanged Top & Bottom
SR-WS-4	Gutter Four-Step Ladder - Standard
SR-WFT-4	Gutter Four-Step Ladder - Flanged Top
SR-WF-4	Gutter Four-Step Ladder - Flanged Top & Bottom
SR-BS-2	Braced Narrow Two-Step Ladder - Standard
SR-BFT-2	Braced Narrow Two-Step Ladder - Flanged Top
SR-BF-2	Braced Narrow Two-Step Ladder - Flanged Top & Bottom
SR-BS-2	Braced Narrow Three-Step Ladder - Standard
SR-BFT-2	Braced Narrow Three-Step Ladder - Flanged Top
SR-BF-2	Braced Narrow Three-Step Ladder - Flanged Top & Bottom
SR-BS-2	Braced Narrow Four-Step Ladder - Standard
SR-BFT-2	Braced Narrow Four-Step Ladder - Flanged Top
SR-BF-2	Braced Narrow Four-Step Ladder - Flanged Top & Bottom
SR-XS-3	Heavy Duty Three-Step Ladder - Flanged Top & Bottom
SR-XS-4	Heavy Duty Four-step Ladder - Flanged Top & Bottom
SR-XS-5	Heavy Duty Five-Step Ladder - Flanged Top & Bottom



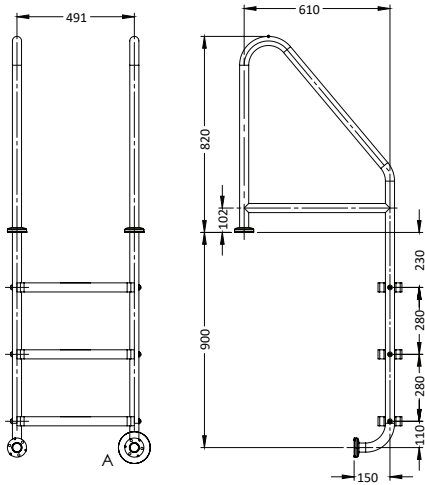
Long Sturdy Grab Rail
(SR-GS Standard/SR-GF Flanged)



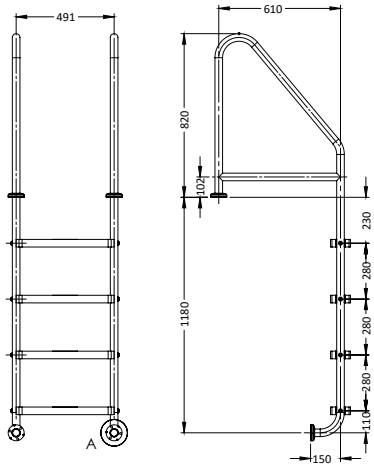
Dual Height Figure 4 Grab Rail
(SR-7S Standard/SR-7F Flanged)



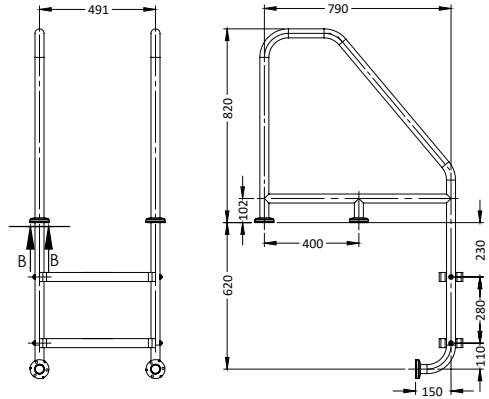
Commercial Two-Step Ladder
(SR-CS-2 Standard/SR-CFT-2 Flanged Top/
SR-CF-2 Flanged Top & Bottom)



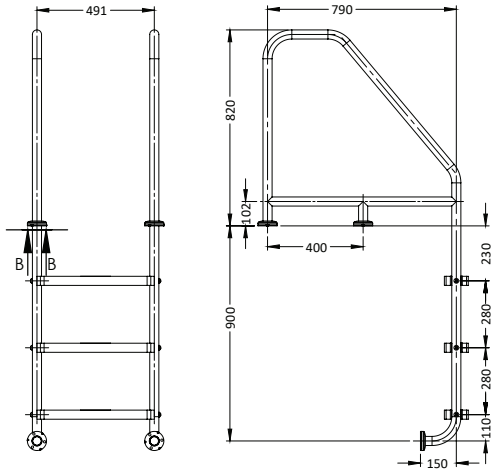
Commercial Three-Step Ladder
(SR-CS-3 Standard/SR-CFT-3 Flanged Top/
SR-CF-3 Flanged Top & Bottom)



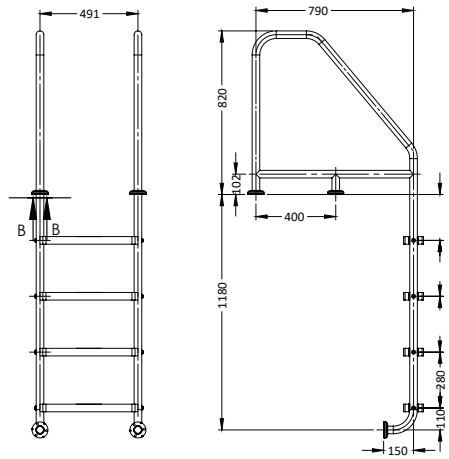
Commercial Four-Step Ladder
 (SR-CS-4 Standard/SR-CFT-4 Flanged Top/
 SR-CF-4 Flanged Top & Bottom)



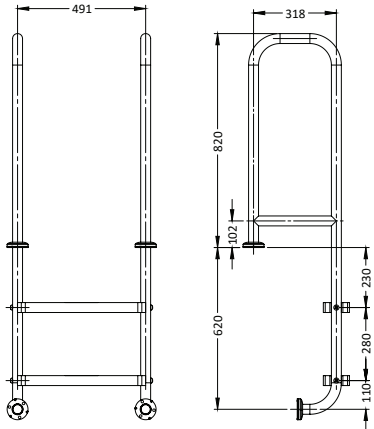
Gutter Two-Step Ladder
 (SR-WS-2 Standard/SR-WFT-2 Flanged Top/
 SR-WF-2 Flanged Top & Bottom)



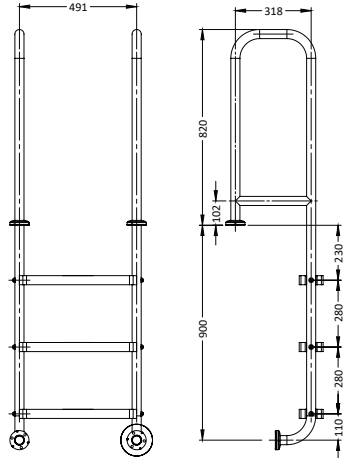
Gutter Three-Step Ladder
 (SR-WS-3 Standard/SR-WFT-3 Flanged Top/
 SR-WF-3 Flanged Top & Bottom)



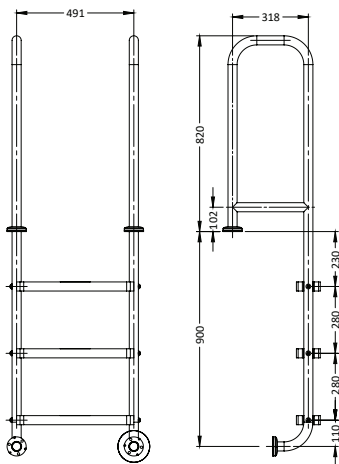
Gutter Four-Step Ladder
 (SR-WS-4 Standard/SR-WFT-4 Flanged Top/
 SR-WF-4 Flanged Top & Bottom)



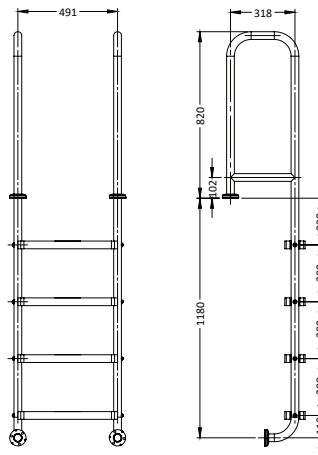
Braced Narrow Two-Step Ladder
 (SR-BS-2 Standard/SR-BFT-2 Flanged Top/
 SR-BF-2 Flanged Top & Bottom)



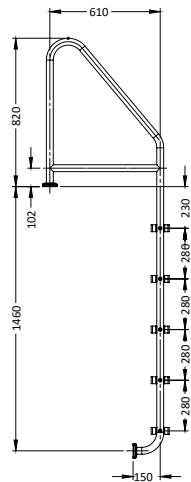
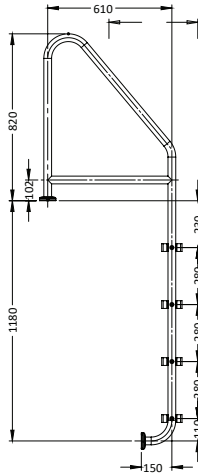
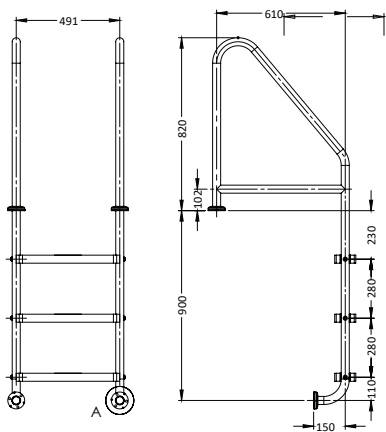
Braced Narrow Three-Step Ladder
 (SR-BS-3 Standard/SR-BFT-3 Flanged Top/
 SR-BF-3 Flanged Top & Bottom)



Braced Narrow Three-Step Ladder
 (SR-BS-3 Standard/SR-BFT-3 Flanged Top/
 SR-BF-3 Flanged Top & Bottom)



Braced Narrow Four-Step Ladder
 (SR-BS-4 Standard/SR-BFT-4 Flanged Top/
 SR-BF-4 Flanged Top & Bottom)



Heavy Duty Ladders
 (SR-XS-3 Three-Step Ladder Flanged Top & Bottom/ SR-XS-4 Four-step Ladder
 Flanged Top & Bottom)/SR-XS-5 Five-Step Ladder Flanged Top & Bottom)

CUSTOM RAILS & LADDERS

Whether it's a minor variation to one of our standard rail configurations, or something from your own imagination, look to S.R.Smith to help make your vision a reality. S.R.Smith keeps your project on track with the fastest turnaround time in the industry. From standard to custom, in a wide range of finishes, our rails can add both form and function to any pool.

- Polished 38mm & 50mm OD Tubing
- Any size or shape
- 316L Marine Grade Stainless Steel
- 1.6mm wall thickness

+ Refer to website for details on custom rail ordering process