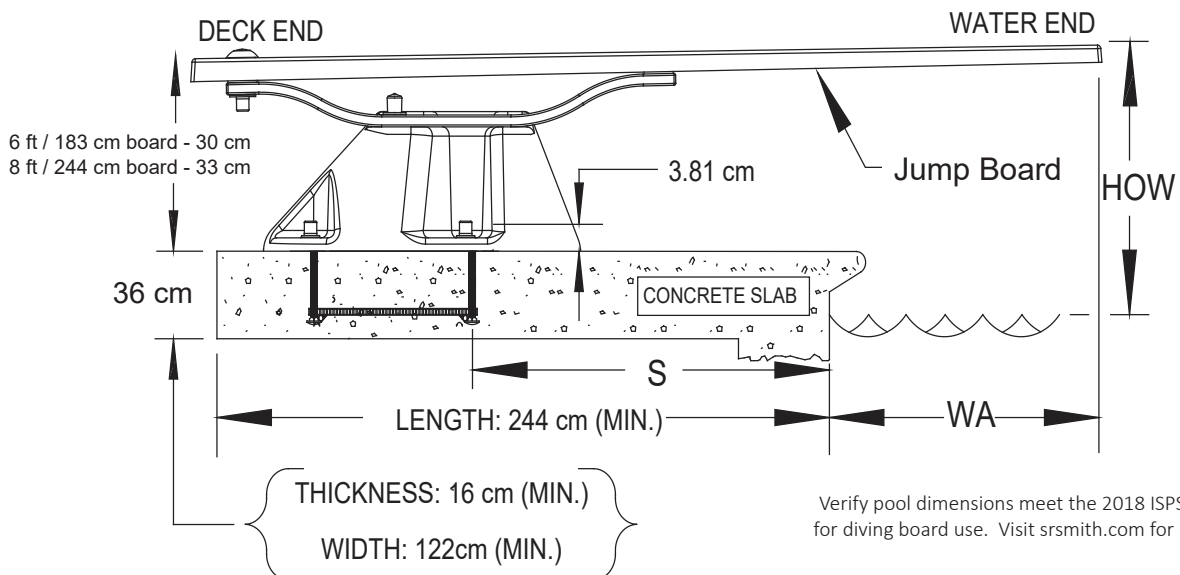


# SALT POOL JUMP SYSTEM



|  |  |
|--|--|
|  | 6 ft / 183 cm board - 30 cm<br>8 ft / 244 cm board - 33 cm   |
|  | 6 ft/183 cm - 3 boxes<br>25 x 20 x 11 in / 64 x 51 x 28 cm<br>40 x 5 x 3 in / 102 x 13 x 8 cm<br>74 x 20 x 3 in / 188 x 51 x 8 cm<br>8 ft/244 cm - 3 boxes<br>25 x 20 x 11 in / 64 x 51 x 28 cm<br>48 x 5 x 3 in / 122 x 13 x 8 cm<br>98 x 20 x 3 in / 249 x 51 x 8 cm |
|  | 250 lb / 114 kg  |
|  | 6 ft/183 cm - 89 lbs/ 40 kg<br>8 ft/244 cm - 111 lbs/50 kg   |
|  | <div style="display: flex; justify-content: space-around;"> <div style="text-align: center;"><br/>TAUPE</div> <div style="text-align: center;"><br/>PEWTER GRAY</div> <div style="text-align: center;"><br/>RADIANT WHITE</div> </div>                                 |

**EN** Corrosion resistant. Designed for retrofit. **ES** Trampolín diseñado para el reequipamiento de piscinas. Resistente a la corrosión. **FR** Planche adaptable. Traitement anti-corrosion (eau salée). **DE** Korrosionsbeständig. Für Nachrüstungen ausgelegt. **IT** Trampolino adattabile. Trattamento anticorrosione (acqua salata).



Verify pool dimensions meet the 2018 ISPCS standards for diving board use. Visit [srsmith.com](http://srsmith.com) for more details.

| Model No.   | Description  |
|-------------|--|
| 68-211-5962 | 6' Frontier III Board with White Salt Pool Jump System |
| 68-211-5982 | 8' Frontier III Board with White Salt Pool Jump System |
| 69-209-62   | White Salt Friendly Base                               |
| 69-209-662  | 6' White Salt Spring Assembly                          |
| 69-209-682  | 8' White Salt Spring Assembly                          |