



ROGUE2

ASSEMBLY AND INSTALLATION INSTRUCTIONS



WARNING

S.R. SMITH ROGUE2 SLIDES ARE MANUFACTURED FOR INSTALLATION AND USE ON RESIDENTIAL INGROUND SWIMMING POOLS ONLY. THE ROGUE2 IS NEVER TO BE INSTALLED AND USED ON ABOVEGROUND POOLS, ONGROUND POOLS, HOUSEBOATS, BOAT DOCKS, FLOATING DOCKS OR PLATFORMS OR OTHER BODIES OF WATER SUCH AS LAKES, PONDS, RIVERS, ETC.

SRS AUSTRALIA, PTY LTD
12 Enterprise St
Richlands QLD 4077
Australia
Phone 07 3812 2283 • Fax 07 3812 1187
www.srsmith.com/au

S.R. SMITH, LLC
CORPORATE HEADQUARTERS
P.O. Box 400 • 1017 S.W. Berg Parkway
Canby, Oregon 97013
USA
Phone (503) 266 2231 • Fax (503) 266 4334
www.srsmith.com

TABLE OF CONTENTS

INTRODUCTION.....	3
INSTALLED ROGUE2 STRUCTURAL & INSTALLATION CHECKLIST	4
MAINTENANCE INSTRUCTIONS.....	4
ASSEMBLED ROGUE2 LAYOUT	5
PARTS LIST.....	6
ASSEMBLY INSTRUCTIONS.....	8
Tools Required.....	8
Rogue 2 Assembly	8
SLIDE DECK ANCHOR FLANGE PARTS LIST (SOLD SEPERATELY).....	14
ON-DECK MOUNTING INSTRUCTIONS.....	15
IN-DECK MOUNTING INSTRUCTIONS.....	16
SLIDE PLUMBING INSTRUCTIONS.....	17
GARDEN HOSE ADAPTOR INSTALLATION INSTRUCTIONS	18
ELECTRICAL BONDING	18
MANUFACTURER'S PLACEMENT INSTRUCTIONS	19
APPENDICES: ROGUE2 SLIDE FOOTPRINT	A

SLIDE ASSEMBLY AND INSTALLATION VIDEOS AVAILABLE AT
www.youtube.com/srsmithllc

REGISTER YOUR S.R. SMITH PRODUCT AT
<http://www.srsmith.com/en-us/customer-service/product-registration>



Visit srsmith.com for information on the complete line of S.R.Smith pool products.

INTRODUCTION



DANGER – FAILURE TO FOLLOW THESE WARNINGS, INSTRUCTIONS, AND THE OWNER’S MANUAL MAY RESULT IN SERIOUS INJURY OR DEATH.

THE ROGUE2 SLIDE IS DESIGNED AND MANUFACTURED FOR INSTALLATION AND USE ON INGROUND SWIMMING POOLS ONLY. DO NOT INSTALL THIS SLIDE ON ABOVE GROUND POOLS, HOUSEBOATS, BOAT DOCKS, FLOATING DOCKS OR PLATFORMS, OR OTHER BODIES OF WATER SUCH AS LAKES, PONDS, RIVERS, ETC. PROPER ASSEMBLY, INSTALLATION, USE, AND SUPERVISION ARE ESSENTIAL FOR PROPER OPERATION AND TO REDUCE THE RISK OF SERIOUS INJURY OR DEATH.

ALL NATIONAL AND LOCAL BUILDING CODES MUST BE FOLLOWED. THIS INCLUDES ANY APPLICABLE REQUIREMENTS FOR SIZE OF CONCRETE FOOTING, OVERALL HEIGHT OF SLIDE, AND BODING OR ELECTRICAL CODES.

CHECK INSIDE ALL BOXES AND PACKAGING MATERIALS FOR PARTS. BEFORE BEGINNING ASSEMBLY, READ ALL INSTRUCTIONS AND IDENTIFY PARTS USING THE FIGURES AND PARTS LISTED IN THIS DOCUMENT. IT IS CRITICAL THAT ALL PARTS BE CAREFULLY INSPECTED BY THE INSTALLER PRIOR TO INSTALLATION TO ENSURE THAT NO DAMAGE OCCURRED IN TRANSIT AND THAT A DAMAGED PART IS NOT USED. PROPER INSTALLATION CANNOT BE OVERSTRESSED, IMPROPER INSTALLATION VOIDS S.R. SMITH’S WARRANTY AND MAY AFFECT THE SAFETY OF THE USER.

INSTALLER MUST GIVE TO SLIDE OWNER: ROGUE2 SLIDE INSTALLATION AND OWNER’S MANUAL, THE WARRANTY CARD, AND ANSWER ALL QUESTIONS REGARDING SAFE AND PROPER USE AND SLIDE MAINTENANCE.

FOR COMPLETE SLIDE SAFETY INFORMATION REFER TO THE OWNER’S MANUAL.

INSTALLED ROGUE2 STRUCTURAL & INSTALLATION CHECKLIST

Installer to review with slide owner upon completion of slide installation.

1. Inspect the runway for visible cracks or tears.
2. Inspect the ladder for sharp edges, protrusions, cracks, or tears.
3. Inspect all fasteners to make sure they are fully tightened.
4. Inspect the ladder for rigidity and attachment.
5. Measure the following dimensions and compare with the manufacturer's placement instructions on page 19.
 - Pool water depth at the base of the slide should be at least 3' (914 mm) deep, and at 4'6" (1.372 M) out from slide exit, should be at least 4'6" (1.372 M) deep.
 - The height of the slide runway exit above the water should be 20" (0.508 M) maximum.
 - The distance between the slide centerline and the edge of other pool equipment should be at least 3'6" (1.067 M).
6. Observe the position of the exit of the slide as shown in FIGURE O, FIGURE P, and FIGURE R on pages 19 and 20.

MAINTENANCE INSTRUCTIONS

1. When hosing down the deck, hose your Rogue2 to wash away any dust, dirt or other debris, which may have accumulated.
2. Be sure that all connections are secure. Tighten hardware if necessary.
3. All polyethylene parts require little maintenance. Hose and wipe to clean. While cleaning slide, check and see that all nuts and bolts are tight and secure.
4. Inspect the runway for visible cracks or tears, sharp edges and protrusions.
5. Inspect all attachment points for loose or corroded fasteners.
6. Inspect all ladder tread or step-attachment points for evidence of shear, bending yield, or fatigue in the ladder steps, rails, or attachments means. Yield is evidenced by crystallization or fine cracking of the ladder tread and/or surface.
7. Inspect the ladder handrails for rigidity and attachment.

ASSEMBLED ROGUE2 LAYOUT

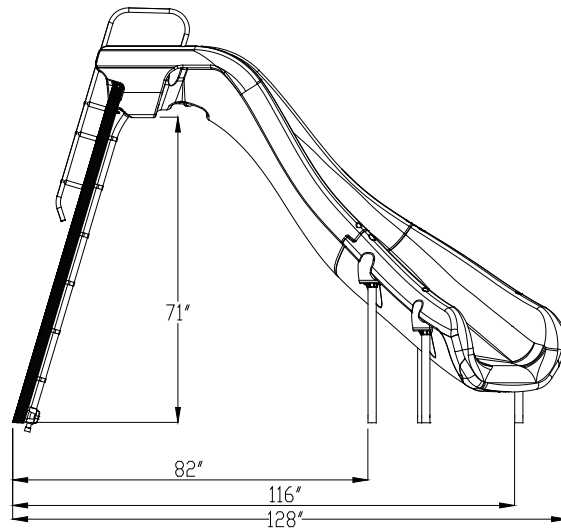
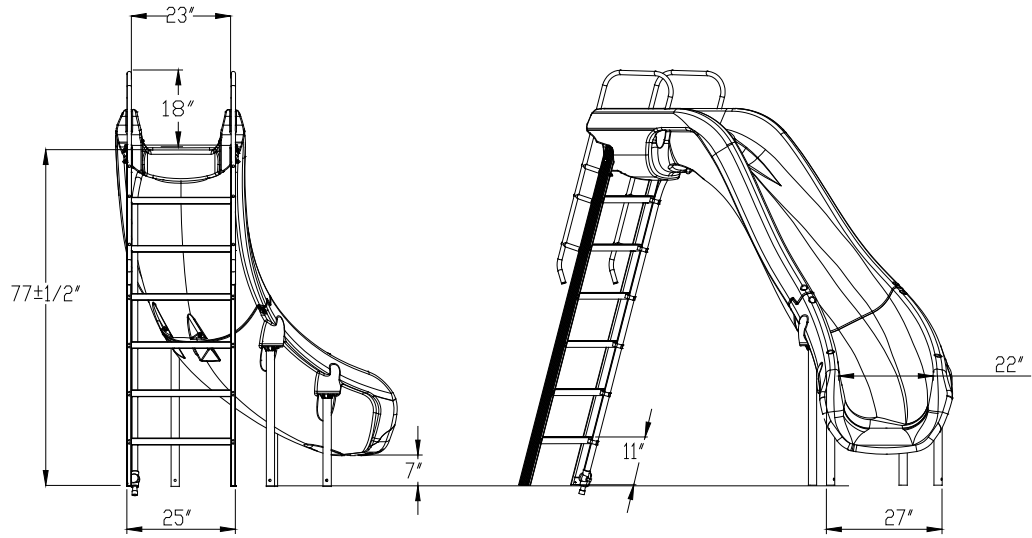


FIGURE A

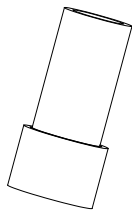
ROGUE 2 right curve slide shown, left curve is mirror image of right curve.

See Appendices for additional slide layout details.

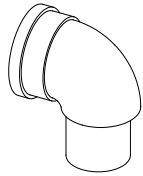
PARTS LIST

Item Number	Part No.	Description	Quantity
1	05-773	Garden Hose Adapter (ref. pg 13)	1ea.
2	05-181	1" PVC 90 Elbow ST SCH 40 SXS	1 ea.
3	05-767	Plastic Pipe Clamp for 1" SCH 40	6 ea.
4	05-770	PVC Ball Valve SCH 80 SXS	1 ea.
5	05-31-151	¼-20 x 6" Carriage Bolt S/S	4 ea.
6	05-31-149	¼-20 x 8" Carriage Bolt S/S	2 ea.
7	01-212	Aluminum Handrail Spacer	6 ea.
8	6-123	Nylon Handrail Connector	8 ea.
9	6-121	Nylon Tube Connector	6 ea.
10	05-14-111	1/4 x 5/8 Flat Washer	13 ea.
11	5-149	¼" Lock Washer S/S	8 ea.
12	5-137	¼-20 Hex Nut S/S	8 ea.
13	01-210	Aluminum Ladder Spacer	2 ea.
14	5-257	3/8-16 X 5" B.H.C.S. 18-8 S/S FULL-THREAD (TT)	2 ea.
15	5-248	HHCS 3/8-16 X 3.5" S/S	2 ea.
16	5-250	3/8" x 3.5" Button Head Cap Screw S/S	4 ea.
17	5-145	3/8" Flat Washer S/S	16 ea.
18	5-151	3/8" Lock Washer S/S	8 ea.
19	5-139SB	3/8" Hex Nut Silicone Bronze	4 ea.
20	5-156	3/8-16 ACORN NUT, 316 S/S HIGH Crown	4 ea.
21	05-31-110S	5/16 Hex Washer Head Tek Screw S/S	4 ea.
22	5-371	Self Tapping Screw #10-16 x 1" S/S	6 ea.
23	05-668	Vinyl Cap .172 ID x .5 LG.	6 ea.
24	05-14-124	¼" X ½" Sheet Metal Screw	5 ea.
*	5-786-8	Hose PVC Flex, 8 ft. (not shown in Figure 1)	8 ft.
25	05-672	Bolt Cap .250 ID x .5 LG Vinyl	6 ea.
*	8-53201-210	Gasket .5" Thick x .5" Wide (Not Shown)	4.6 ft.
*	05-784	1" Coupler SCH 80 PVC (Not Shown)	1 ea.

Visit srsmith.com for hardware kit and replacement part information.



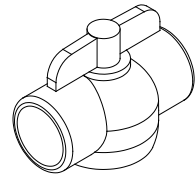
(1)



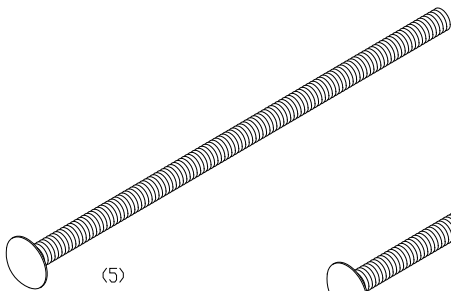
(2)



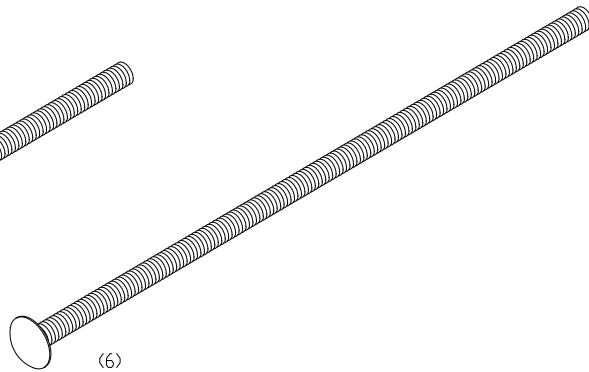
(3)



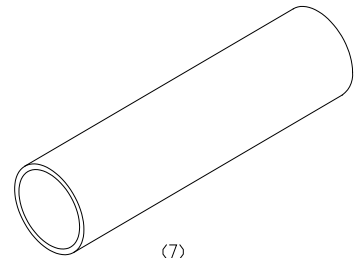
(4)



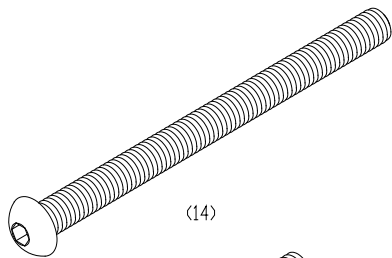
(5)



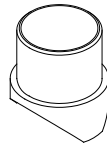
(6)



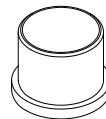
(7)



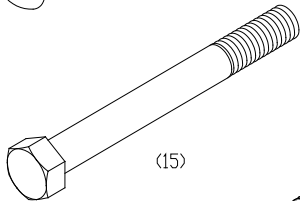
(14)



(8)



(9)



(15)



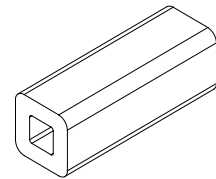
(10)



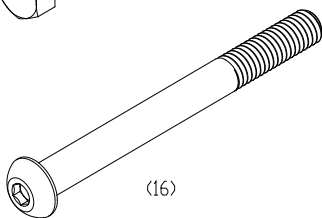
(11)



(12)



(13)



(16)



(17)



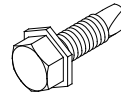
(18)



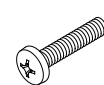
(19)



(20)



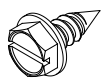
(21)



(22)



(23)



(24)



(25)

ASSEMBLY INSTRUCTIONS

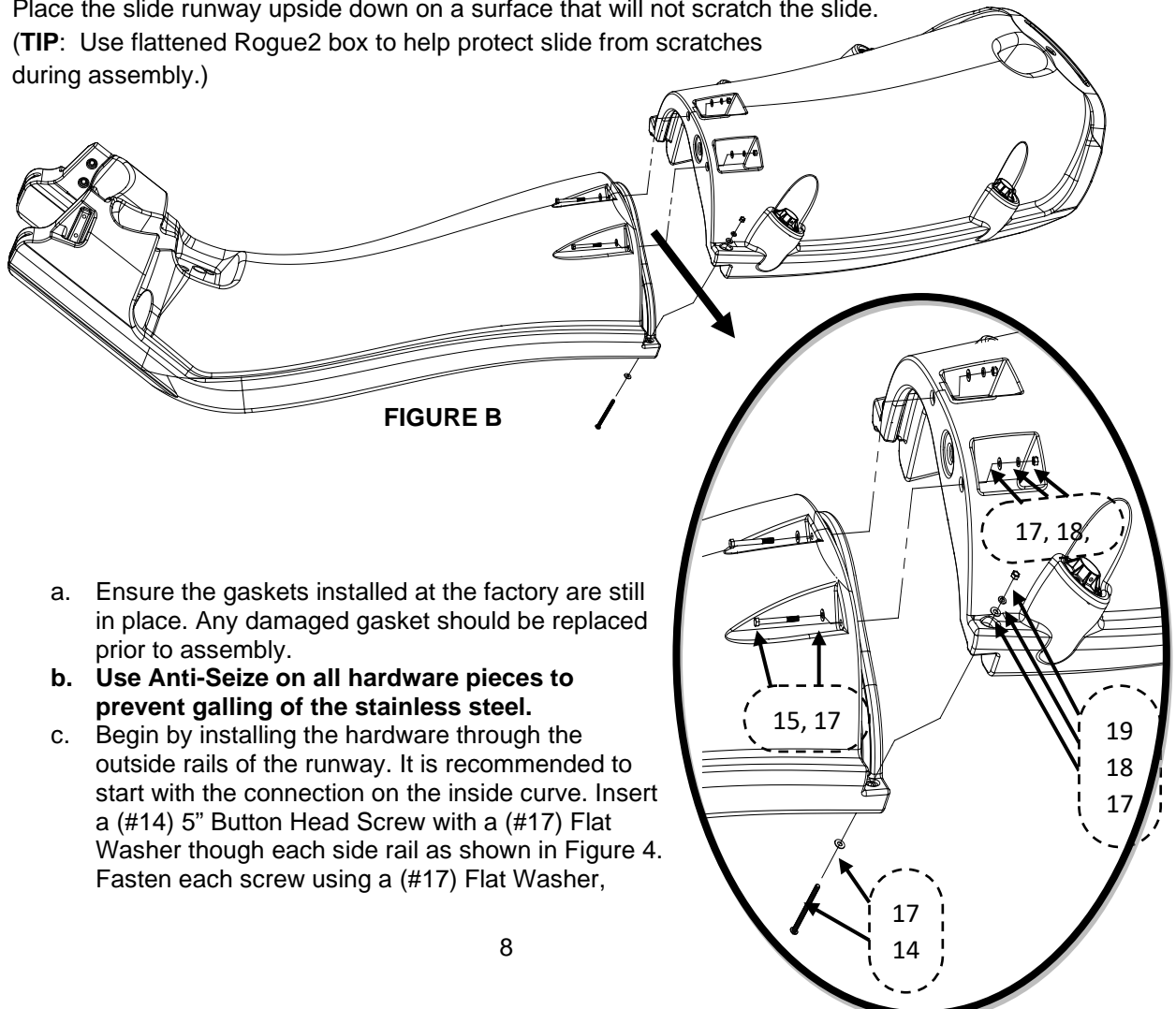
Tools Required

1. PVC glue
2. 7/32" Allen Wrench
3. Electric Drill, Phillips Drive, 1/2 Hex Socket Drive
4. Ratchet with 7/16", 1/2" and 3/8" sockets
5. 7/16", 1/2" and 9/16" wrench
6. Hammer drill with 1/4" (6 mm) masonry bit
7. Small Level
8. Tape
9. 9/16" Deep Socket
10. 3/8" (9.5 mm) Drill Bit
11. 1/4" (6 mm) Drill bit
12. Pencil or marker
13. Loctite® 242 Thread Locking Compound
14. Pistol-grip clamp (optional)

NOTE: Use pistol-grip clamps as necessary to align the molded parts.

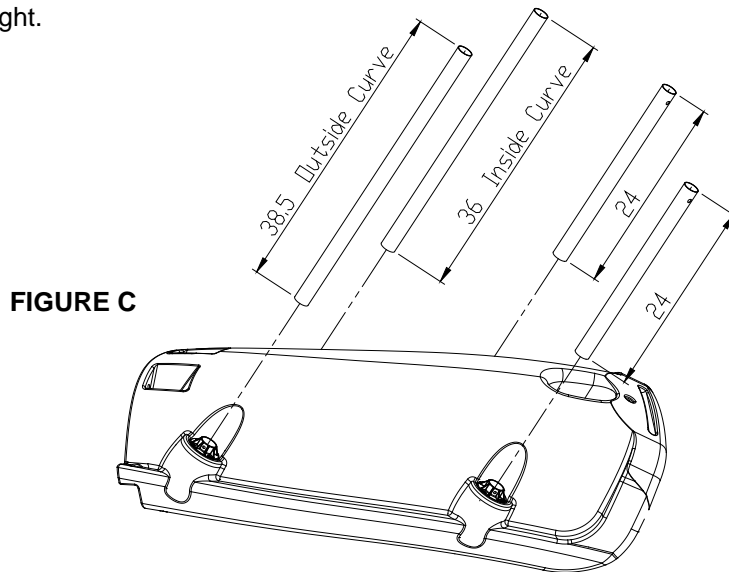
Rogue 2 Assembly

1. Place the slide runway upside down on a surface that will not scratch the slide.
(**TIP:** Use flattened Rogue2 box to help protect slide from scratches during assembly.)

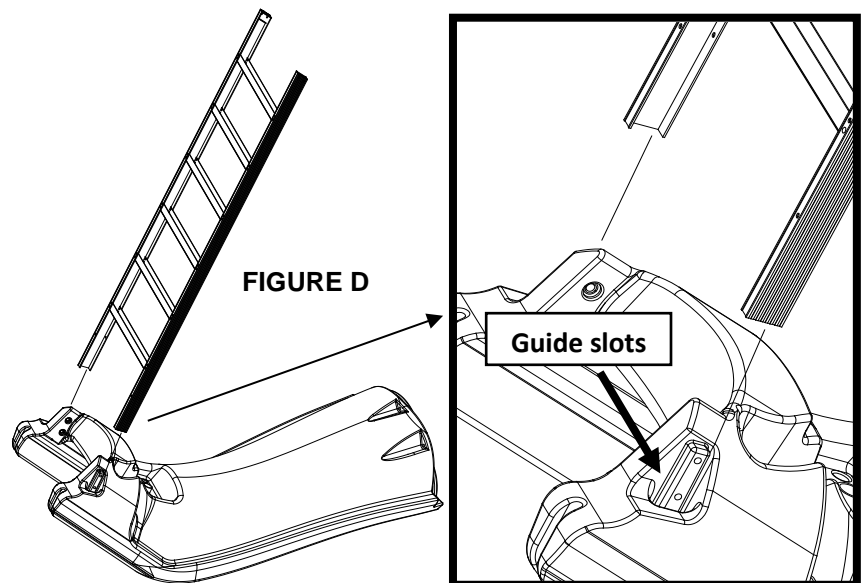


- a. Ensure the gaskets installed at the factory are still in place. Any damaged gasket should be replaced prior to assembly.
- b. **Use Anti-Seize on all hardware pieces to prevent galling of the stainless steel.**
- c. Begin by installing the hardware through the outside rails of the runway. It is recommended to start with the connection on the inside curve. Insert a (#14) 5" Button Head Screw with a (#17) Flat Washer through each side rail as shown in Figure 4. Fasten each screw using a (#17) Flat Washer,

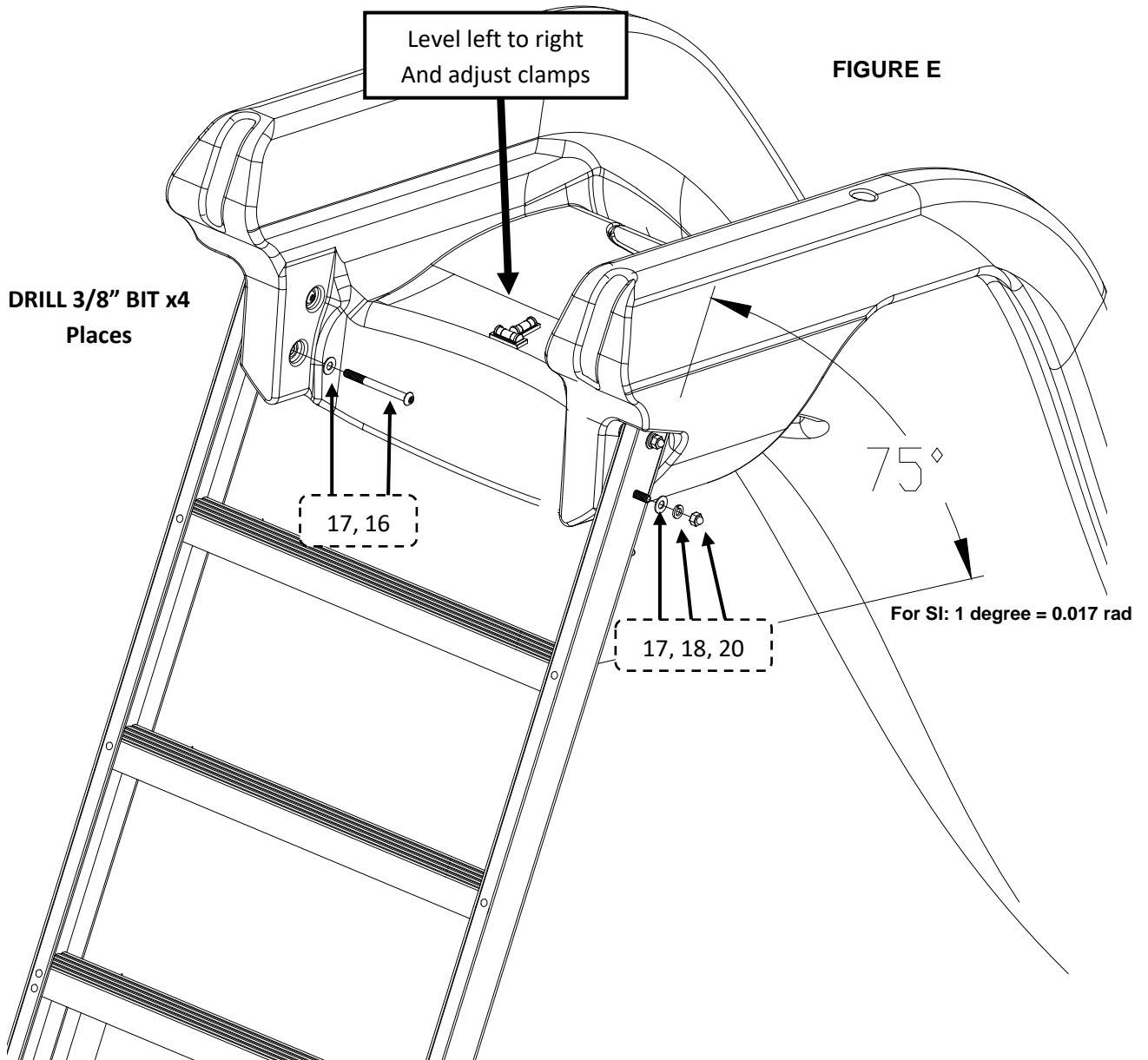
- (#18) Lock Washer, and (#19) Hex nut. Do not fully tighten at this point.
- d. Next, insert the hardware through the holes in the bottom of the runway parts. Insert a (#15) 3.5" Hex Head Screw with a (#17) Flat Washer though each hole as shown in Figure 4. Fasten each screw using a (#17) Flat Washer, (#18) Lock Washer, and (#19) Hex nut.
 - e. Go back and fully tighten the outside bolts before completely tightening the center bolts. Tighten until the plastic surfaces come into contact and are secure. **Do not over tighten the hardware.**
2. Insert the slide legs into the leg sockets. See FIGURE C.
 - a. The two short legs go into the front sockets nearest the slide exit.
 - b. The shorter of the two longer legs goes into the socket on the inside curve of the slide.
 - c. Be sure to insert the end of the legs that do not have the pre-drilled holes into the leg sockets.
 - d. **Do not** attach the legs permanently at this point.
 - e. Tape the legs to the leg sockets so that they will be held in place when turning the slide upright.



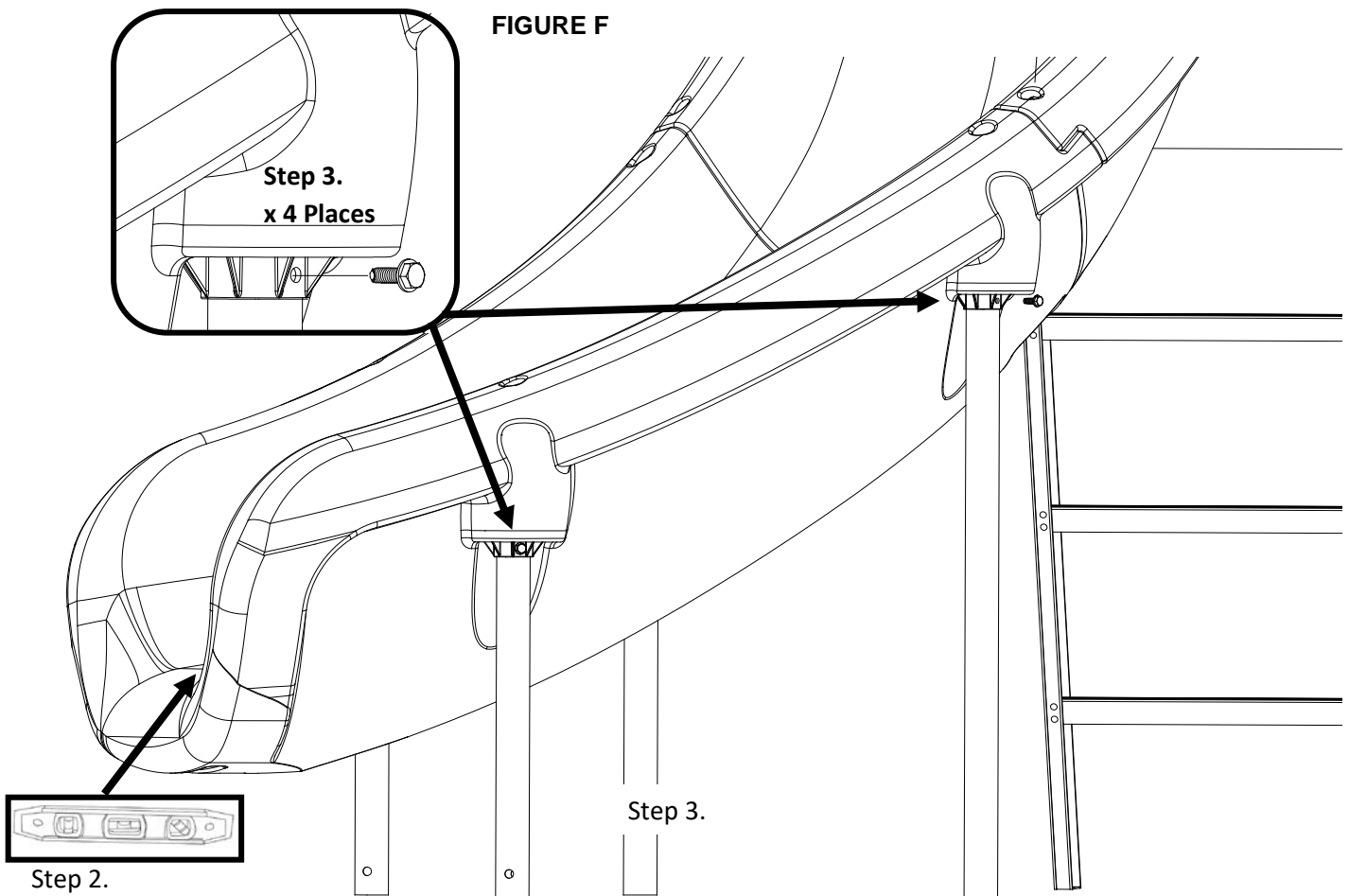
3. Insert the top of the slide ladder all the way into the two sockets in the slide. Use clamps to temporarily hold the ladder in place while the slide is being turned upright. See FIGURE D. **NOTE: The top of the ladder is the end with the side rails cut square.**



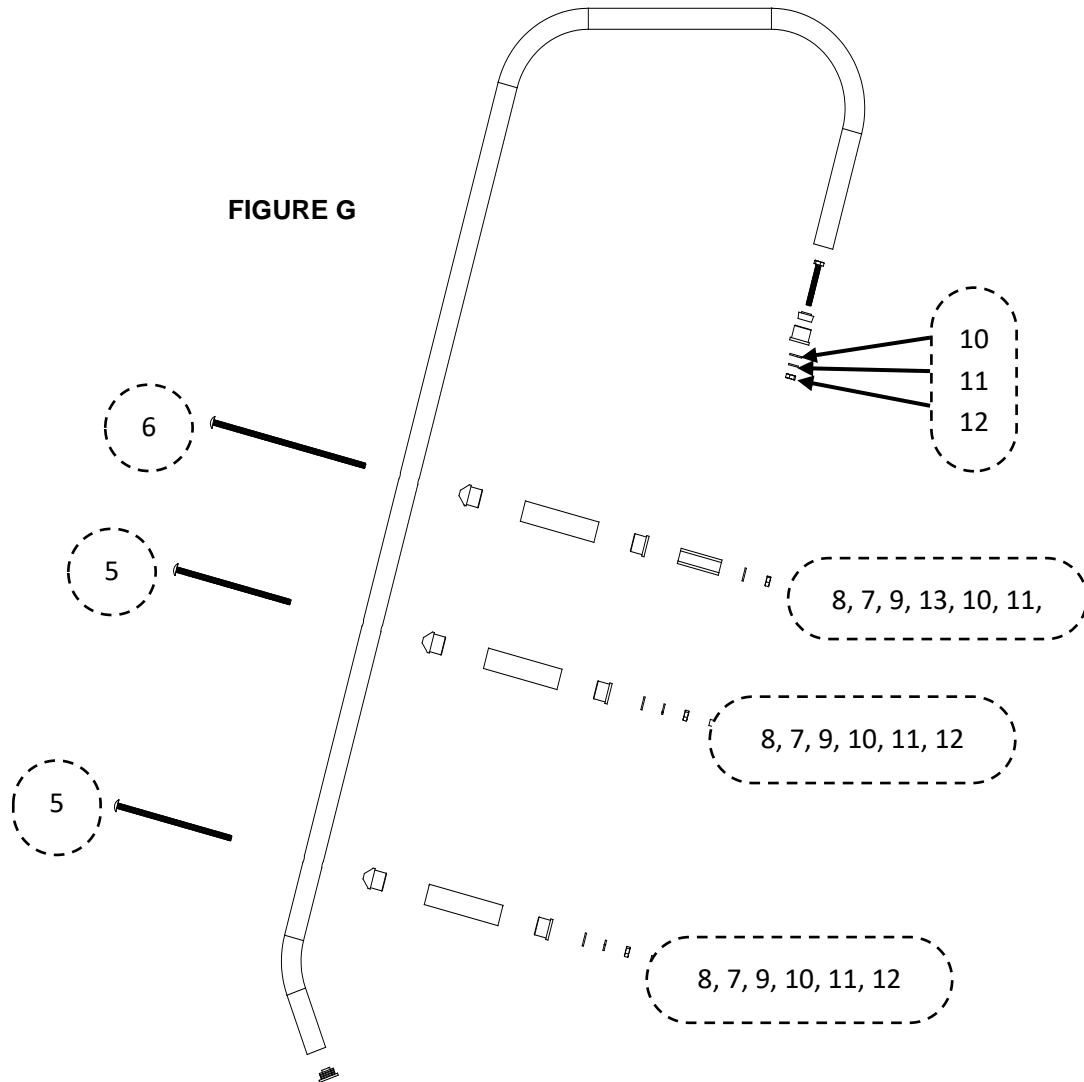
4. Carefully turn the slide with the legs and ladder upright for setup. **It will be necessary for two people to perform this to avoid damage to the slide.**
5. Place the slide at the desired location relative to the pool wall. See MANUFACTURER'S PLACEMENT INSTRUCTIONS on page 19.
6. Temporarily remove the clamps to make final adjustments to the ladder.
 - a. Make sure that the slide entrance is level from side to side while maintaining a height of $77'' + 1/2''$ (1.9558 M + 12.7 mm) from the deck level, and a ladder angle of 15 deg. (0.262 rad) with respect to the vertical. See FIGURE A for reference.
 - b. Reattach clamps to hold the ladder in place prior to drilling.
7. Drill two $3/8''$ (9.5 mm) diameter holes through each of the ladder side rails using the holes in the slide as a drill guide. See FIGURE E



8. Secure the ladder to the slide using the hardware as shown in FIGURE E. Insert a (#16) 3.5" Button Head Screw with a (#17) Flat Washer though each drilled hole. Fasten each screw using a (#17) Flat Washer, (#18) Lock Washer, and (#20) Acorn Nut.
9. With the entrance way secured and the slide in relative final position. Level as close as possible the exit runway surface horizontally, from side to side, using a small level. The exit end height should be maintained at 7" (0.178 M) between the bottom of the slide and the deck, see FIGURE A
10. The legs can be adjusted up and down within the leg sockets to help adjust for level. Once the slide is properly leveled the legs shall be permanently attached by drilling a 1/4" (6 mm) hole into each leg using the hole on the leg socket as a guide and fastening with a (#21) 5/16" Hex Head Washer Tek Head Screw. See FIGURE F.



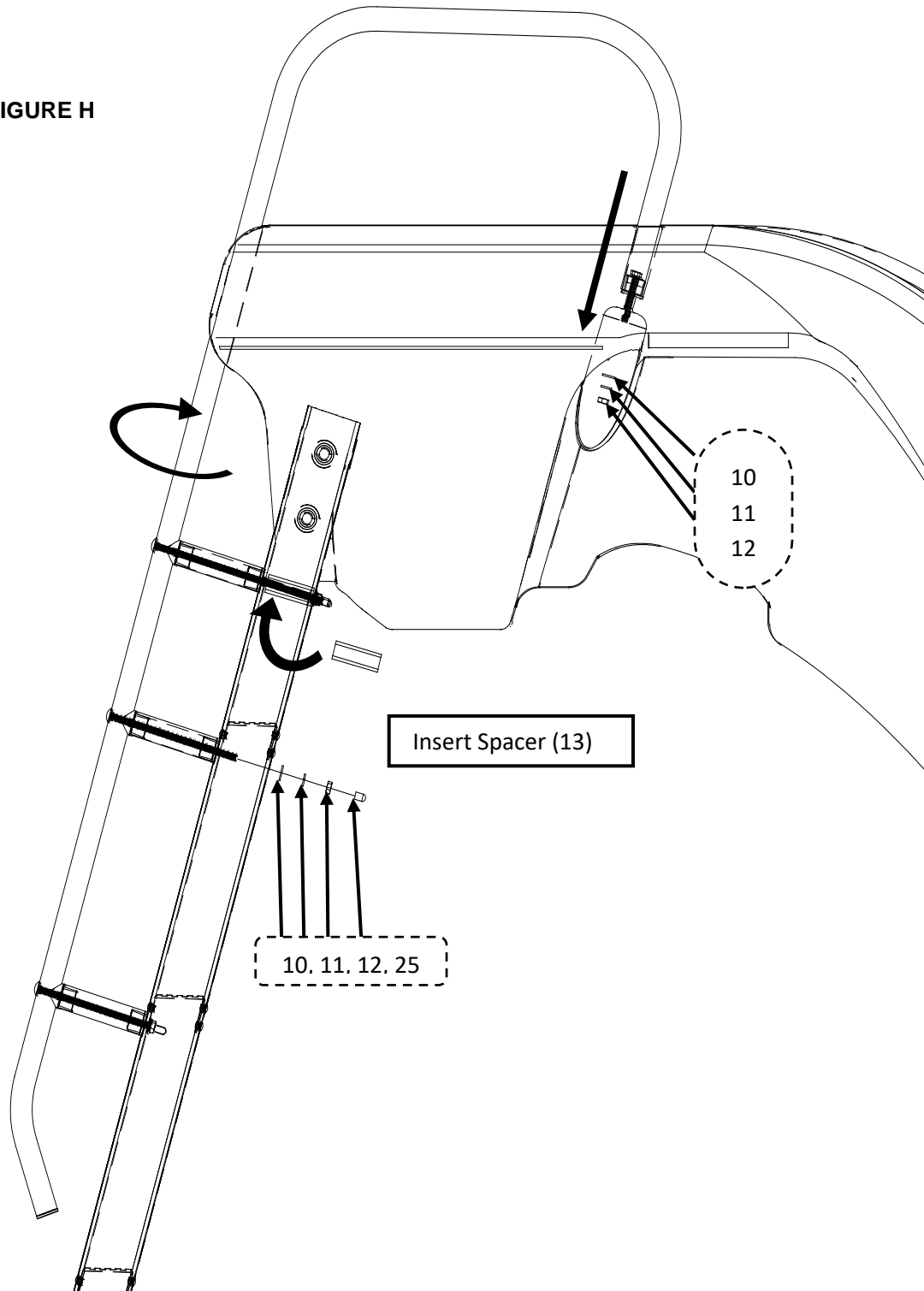
- Disassemble each handrail as shown in FIGURE G. Insert the two handrails into the holes on the top of the slide runway rails, and rotate so that the rails are resting in the grooves on the back side of the entrance section. Secure each handrail into the socket using a (#10) Flat Washer, a (#11) Lock Washer, and a (#12) Hex Nut. Use Loctite® 242 Thread Locking Compound on all handrail fasteners.



- Starting with the top handrail spacer, align the top hole in the handrail with the top hole in the ladder side rail. Next, assemble the handrail spacer parts (#7), (#8) and (#9) in the order shown in FIGURE G and align it between the handrail and ladder top holes. Next, insert the (#6) 1/4-20 x 8" Carriage Bolt through the handrail and the handrail spacer parts. The (#13) Ladder spacer is to be placed in the inside channel of the ladder side rail such that the (#6) Carriage Bolt holds it in place after it is pushed completely through the ladder side rail, see FIGURE H. Secure the (#6) Carriage bolt using a (#10) Flat Washer, a (#11) Lock Washer, and a (#12) Hex Nut in the order shown in FIGURE G and FIGURE H. Use Loctite® 242 Thread Locking Compound on all handrail fasteners.

13. For the remaining two ladder spacers, align parts (#7), (#8) and (#9) between the hole in the handrail and the hole in the ladder as in step 12. Use a (#5) 1/4-20 x 6" Carriage Bolt along with a (#10) Flat Washer, a (#11) Lock Washer, and a (#12) Hex Nut to fasten the parts together as shown in FIGURE G and FIGURE H. Place (#25) Vinyl Cap over the exposed threaded ends of the bolts. Use Loctite® 242 Thread Locking Compound on all handrail fasteners.

FIGURE H



SLIDE DECK ANCHOR FLANGE PARTS LIST (SOLD SEPERATELY)

Item Number	Part Number	Description	Quantity
1	75-209-5000	Aluminum Flange Anchor	4 ea.
2	05-162	5/16 -18 UNC x 2 3/4 STUD w/ FLAT WASHER & LOCK NUT	16 ea.
3	05-14-123	1/4-20 UNC x 2 3/4 HHCS	4 ea.
4	04-14-111	1/4"ID x 5/8"OD FLAT WASHER	8 ea.
5	05-14-117	1/4-20 UNC HEX NYLON LOCK NUT	4 ea.
6	01-500	3/8" O.D. ALUMINUM BUSHING	4 ea.
7	800-1110	5/16" SPLIT LOCK WASHER 316 SS	16 ea.
8	05-676	SHOULDER WASHER NYLON	5 ea.

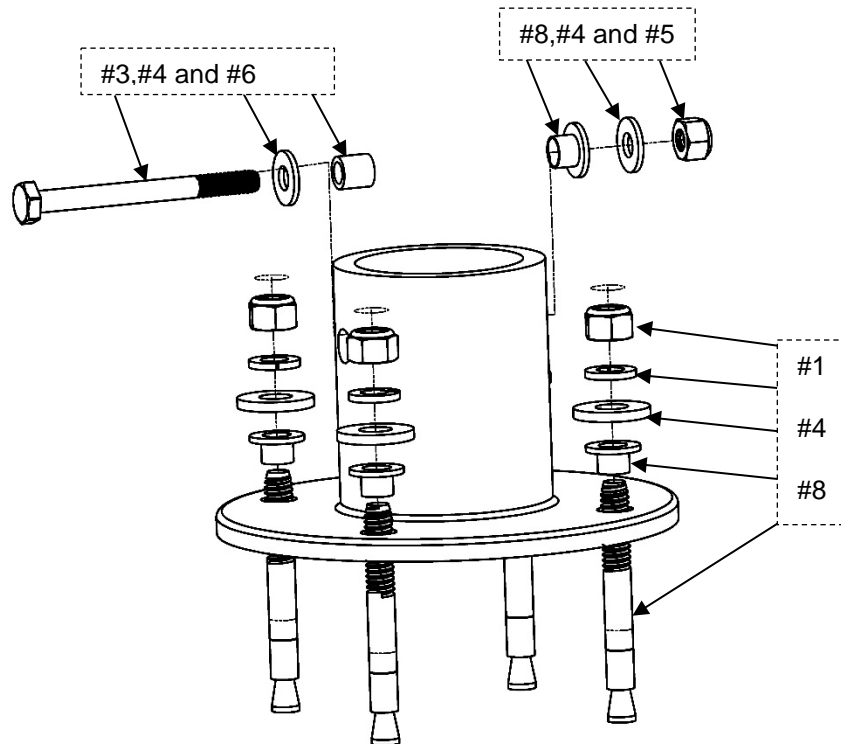


FIGURE I

ON-DECK MOUNTING INSTRUCTIONS

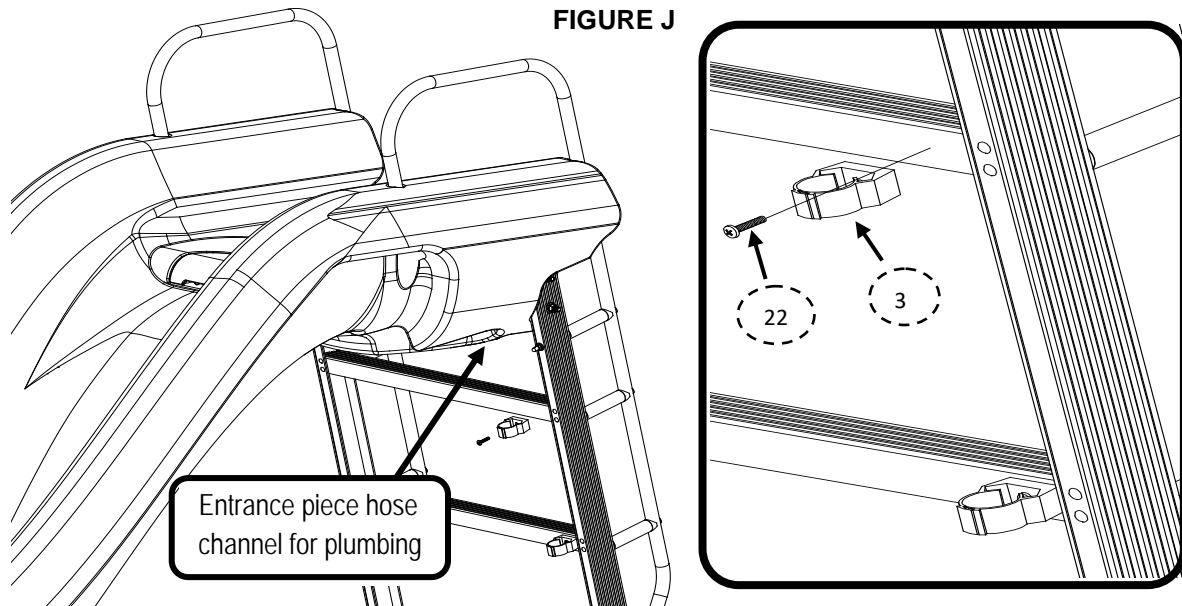
For In-Deck Mounting proceed to Step 19

1. Bond slide per local codes (see ELECTRICAL BONDING page 18).
2. Place a deck anchor flange over each end of the slide legs.
3. Using the four holes on each flange as a template (see FIGURE I), mark the location of each hole on the deck. Next, drill a 5/16" (7.9 mm) diameter by 1-7/8" deep hole at each marked location.
CAUTION: Do not drill holes larger than 5/16" (7.9 mm). Maintain drill hole straight and perpendicular for proper holding strength of anchor stud.
4. Raise the flange up the leg and secure in place while using a hammer to drive the (#2) 5/16"-18UNC x 2-3/4" Anchor Stud, with a (#2) 5/16" Hex Nut on top, into the hole leaving 7/8 of an inch (22.2 mm) of the stud above the deck. Then tighten the nut until it is flush with the deck. Then, tighten the nut approximately three turns to set the anchor stud. Finally, remove the nuts.
5. Secure the four flanges with (#2) 5/16" Flat Washers, (#7) 5/16" Lock Washers and the (#2) 5/16"-18UNC Hex Nuts, Shoulder Washer Nylon (#8).
6. Using the center holes on each ladder foot as templates, mark the hole locations on the deck. Next, drill holes 5/16" (22.2 mm) diameter by 2-1/4 inches (57.1 mm) deep and secure (#2) Anchor Studs as described in 3 & 4 above.
7. Secure the two ladder feet with (#2) 5/16" Flat Washers, (#7) lock washers, and the (#2) hex nuts. Be sure that the ladder maintains 15 degrees (0.26 radians) from vertical.
8. Drill a 1/4" (6.3 mm) diameter hole into the slide leg through the 3/8" (9.5 mm) diameter hole in the flange. Insert the (#6) 3/8" O.D. Aluminum Bushing into the hole in the deck flange and push in until it contacts the slide leg. Now insert the (#3) 1/4"-20UNC x 2-3/4" Hex Head Cap Screws and (#4) 1/4" x 5/8" Flat Washers through the bushing and in about a 1/2" (12.7 mm) into the hole in the slide leg. With the cap screw in position, drill a 1/4" hole into the slide leg through the 5/16" (7.9 mm) diameter hole in the opposite side of the deck flange. Take care not to run the drill bit into the 1/4" bolt. Push the cap screw completely through the slide leg. Install the (#4) 1/4" x 5/8" Flat Washers and (#5) 1/4"-20UNC Hex Lock Nuts

IN-DECK MOUNTING INSTRUCTIONS

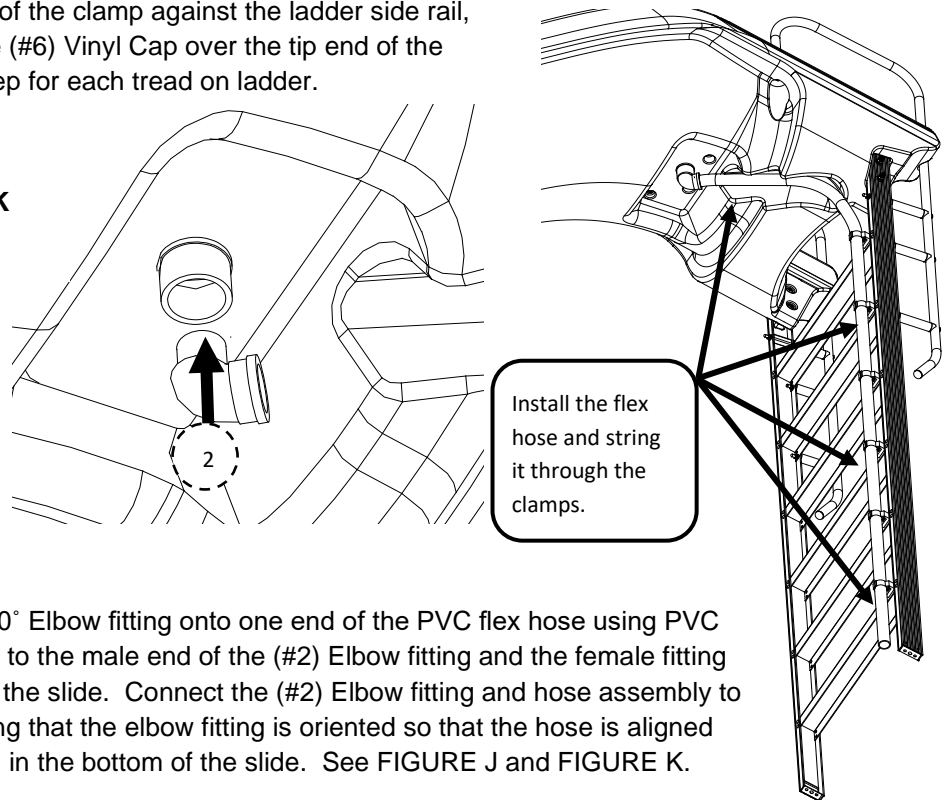
9. Insert 3/8" (9.5 mm) diameter rebar (not provided) into the holes located at the bottom of each leg making sure that the rebar will be a minimum of three inches (3") below the deck surface.
10. Bond slide per local codes (see ELECTRICAL BONDING page 16).
11. Secure the ladder so that the ladder steps are level, from side to side, and the ladder is held at 15 degrees (0.26 radians) from vertical.
12. Secure the slide to prevent the movement during the concrete pour to ensure that the slide position remains the same.
13. **SUGGESTION:** To ensure easy removal of concrete from legs and ladder, wax or wrap with wax paper approximately 12 inches (0.305 M) above deck level.
14. Proceed with pouring the concrete deck and finish as desired. Let concrete cure per concrete manufactures directions before using slide.

SLIDE PLUMBING INSTRUCTIONS



1. Use a drill with a Phillips bit to fasten the (#3) Plastic Pipe Clamp to the ladder as shown below in Figure 12. The hose clamp should be attached with the top of the clamp aligned with the top of the step and the side of the clamp against the ladder side rail, See FIGURE J. Place (#6) Vinyl Cap over the tip end of the screw. Repeat this step for each tread on ladder.

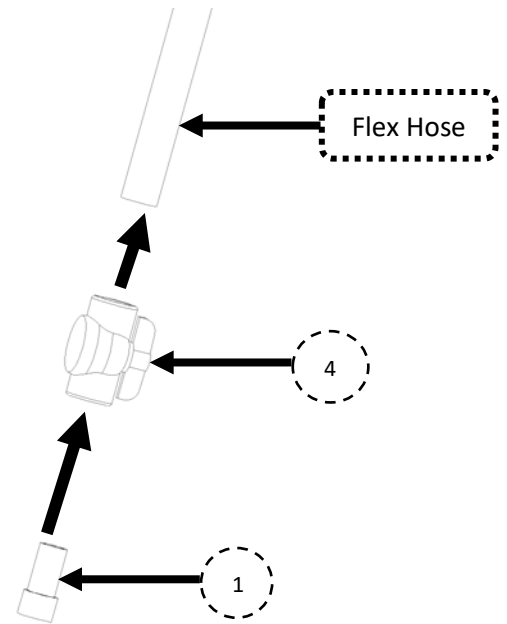
FIGURE K



2. Install the (#2) PVC 90° Elbow fitting onto one end of the PVC flex hose using PVC glue. Next apply glue to the male end of the (#2) Elbow fitting and the female fitting that is pre-installed in the slide. Connect the (#2) Elbow fitting and hose assembly to the slide while ensuring that the elbow fitting is oriented so that the hose is aligned with the hose channel in the bottom of the slide. See FIGURE J and FIGURE K.

3. Starting with the top hose clamp, insert the PVC hose into the clamps. The clamps automatically tighten when pressure is applied pushing the hose into the clamps.
4. Apply PVC glue to one socket of the (#4) PVC Ball Valve and insert the PVC hose into the valve as shown in FIGURE L. Allow the glue sufficient time to dry. The final step is joining the PVC Ball Valve to the water source.

FIGURE L



GARDEN HOSE ADAPTOR INSTALLATION INSTRUCTIONS

If connecting the Rogue2 water system to the pool plumbing system is not an option you may connect the water system to a garden hose by following the steps outlined below.

1. Make sure that the Rogue2 water system has been properly assembled as explained in the Rogue2 Installation Instructions. Next, apply PVC glue around the end of the garden hose adaptor indicated by the arrow in FIGURE M.
2. After the glue is applied quickly insert the PVC fitting into one end of PVC ball valve as shown in FIGURE N
3. The final step is to thread a garden hose into the PVC garden hose adapter.
4. After connecting the water source to the ball valve, turn on water slowly to check for leaks



FIGURE M

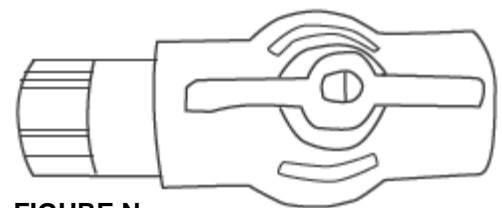


FIGURE N

ELECTRICAL BONDING

If electrical bonding is required by the local governmental regulations, it shall be done in accordance with Article No. 680 of the current National Electrical Code or the local Code, whichever has jurisdiction. Five (#24) 1/4" x 1/2" Sheet Metal Screws and five (#10) 1/4" x 3/4" Flat Washers are provided for this purpose. Secure one per slide leg and one per ladder.

MANUFACTURER'S PLACEMENT INSTRUCTIONS

PROPER ASSEMBLY, INSTALLATION, USE, AND SUPERVISION ARE ESSENTIAL FOR PROPER OPERATION AND TO REDUCE THE RISK OF SERIOUS INJURY.

1. The critical dimensions for placement of the Rogue 2 are as shown in FIGURE O and FIGURE P.
 - A. The slide exit runway surface shall not exceed 20" (0.508 M) above the water surface and not less than 8" (0.203 M) above the deck/coping surface (see FIGURE O)
 - B. The slide shall be positioned so that all water flowing off the runway exit drops into the pool. Recommended overhang is 4" (102mm).
 - C. The minimum depth of water below the exit lip of the slide shall be 3' (0.914 M) and increases to 4'-6" (1.371 M) at Pt. A which is a distance of 4'-6" (1.371 M) from the exit lip of the slide. (See FIGURE O).
 - D. A minimum depth of 4'-6" (1.371 M) shall be maintained at 9' (2.743 M) along the extended centerline of the slide from Pt. A. (See FIGURE O).

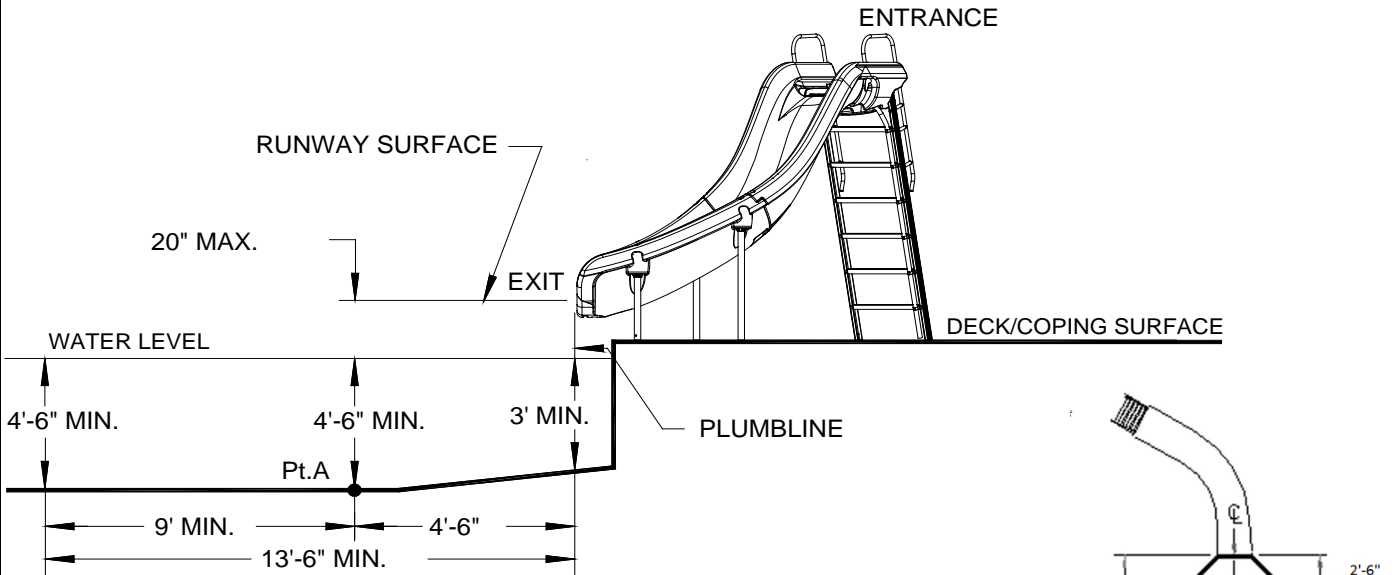


FIGURE O

2. A minimum clearance area in front of the slide shall be maintained at all times as follows:
 - A. A minimum clearance area in front of the slide shall be maintained away from the coping, another slide, a diving board or a rope and float line. (See FIGURE P). The minimum clearance distance on either side of the extended centerline of the slide runway shall not be less than 3'-6" (1.067 M) at a point no less than 2'-6" (0.762 M) from the exit of the slide and extending a distance of 13'-6" (1.445 M) in front of the slide. (See FIGURE P)
 - B. The minimum clearance area in front of a properly installed diving board on an inground swimming pool is a minimum distance of 3'-6" (1.067 M) on either side of the board's centerline as shown in FIGURE Q. Pt.C extends a minimum distance of "C" from the tip end of the board as shown in FIGURE Q. The width distance "W" on either side of Pt.C is given in TABLE 1 and shown in FIGURE Q.

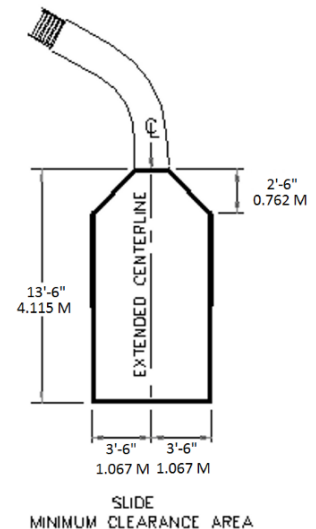


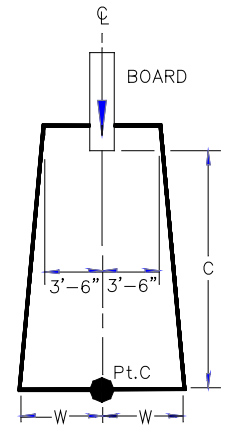
FIGURE P

TABLE 1

Board Minimum Clearance Area		
Pool Type	"C" Dimension	"W" Dimension
I	14' -6" (4.420 M)	5' -0" (1.524 M)
II	14' -6" (4.420 M)	6' -0" (1.829 M)
III	16' -6" (5.029 M)	6' -0" (1.829 M)
IV	18' -6" (5.639 M)	7' -6" (2.286 M)
V	21' -0" (6.401 M)	7' -6" (2.286 M)

See Article 5 contained in ANSI/APSP/ICC-5 2011 STANDARD FOR RESIDENTIAL INGROUND SWIMMING POOLS and refer to FIGURE 3 and Table 1 for Minimum Water Envelope Dimensions AB, BC and Width at Point C.

"C" DIMENSION FOR BOARD = AB + BC
 "W" DIMENSION FOR BOARD = WIDTH AT PT.C



BOARD
 MINIMUM CLEARANCE AREA

- C. The minimum clearance area of a slide of diving board shall not intersect any coping or rope and float line as shown in FIGURE R. The minimum clearance area of a slide or diving board may intersect each other provided that they are not used simultaneously.

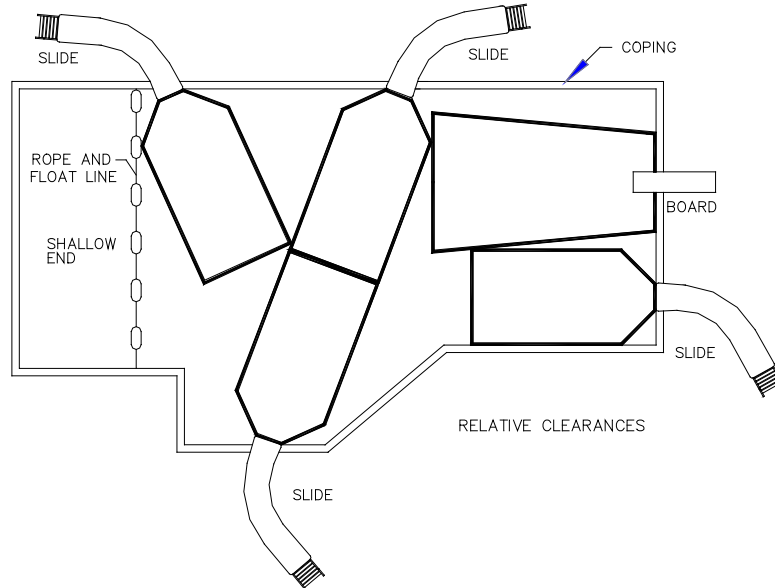


FIGURE R

APPENDICES: ROGUE2 SLIDE FOOTPRINT

Right curve shown, left curve is mirror image.

