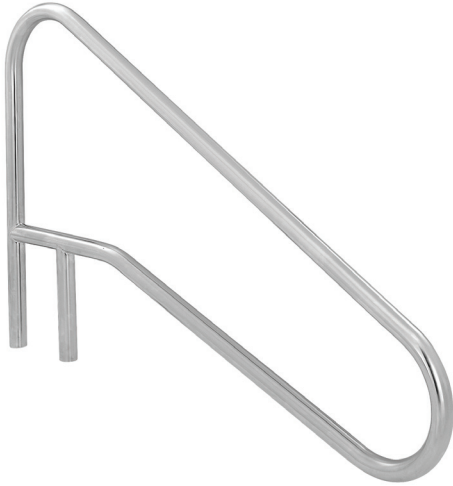
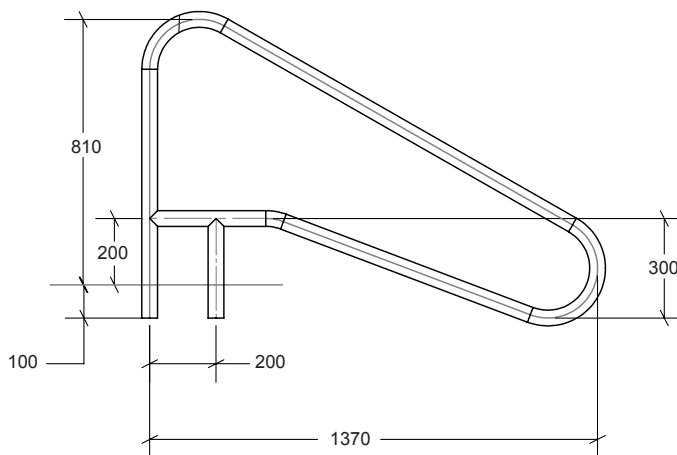


DECK MOUNTED STAIR RAIL



A braced rail suitable for use on pool stairs and sloped entries. Constructed of polished stainless steel.

- 48mm OD Tubing
- 316L marine grade stainless steel
- 1.6mm wall thickness
- Standard or Flanged model available



(DMS-102S Standard/DMS-102F Flanged)

Model/Item No.	Description
DMS-102F	DMS Deck Mounted Stair Rail - 48mm Tube - Flanged
DMS-102S	DMS Deck Mounted Stair Rail - 48mm Tube - Standard