



GENERAL

Q: What is Mod-Lite[®] ?

Mod-Lite is a modular underwater LED lighting product that produces vibrant light without a physical power connection; and is the first and only wirelessly powered 1.5" nicheless LED light for the Pool industry.

Q: What is Mod-Lite's safety ratings?

Mod-Lite is ETL listed

Conforms to UL STD 676

Certified to CSA C22.2 #89

FCC Listed

Q: How does Mod-Lite wireless technology work?

S.R.Smith's PowerPass[™] Wireless Power Technology is the standard for safe, submersible wireless power applications for pools and enables energy to flow to the LED lamp without a physical connection to the power source. PowerPass utilizes Magnetic Inductive Coupling, the same advanced technology used in many of today's wireless charging applications, to transfer power to the LED lamp.

Q: What kind of pools can Mod-Lite be used on?

Mod-Lite may be installed on existing or new Gunite, Vinyl Liner, or Fiberglass pools.

Q: What niche or fitting size does the Mod-Lite fit into?

The Mod-Lite fits into MOST standard 1.5" female threaded fittings. Please reference the Mod-Lite Installation Manual for a list of common fitting types, and how to modify existing female threaded fittings for better fitment.

Q. Does the water level need to be lowered before installing or removing the Mod-Lite?

No - However, in order to keep water out of the cord jacket tape the ends before pulling the light through the conduit. Additionally, it does not matter if water enters the conduit, if the conduit is watertight and terminates above the water level in accordance with NEC and/or local codes.

Q: Can the Mod-Lite sync with a S.R.Smith Micro light?

Yes - Mod-Lite RGB lights will work alongside any of current S.R.Smith LED RGB lights. Mod-Lite MultiWhite is an exclusive model and does not sync with any current, S.R.Smith RGB or white LED lights.

Q: What kind of color functionality does the Mod-Lite offer?

Mod-Lite’s color functionality is dependent on the type of transformer and/or lighting control device to which it is connected. When paired with a standard low voltage UL379 transformer Mod-Lite will produce 6 colors (white, blue, green, red, amber, magenta) and 2 light shows (fast/slow). For advanced functionality (49 custom colors and 4 dimming levels) use S.R.Smith’s poolLUX Premier custom lighting control. Mod-Lite MultiWhite models offer 3 different shades of white (classic, warm and cool) and are only compatible with standard low voltage UL379 transformer system with and without toggle type remote. They will not sync with color changing RGB lights.

Q: What power systems is Mod-Lite compatible with?

Mod-Lite can be powered by S.R.Smith’s poolLUX Power or Plus transformers, as well as, any other 12VAC low voltage UL379 transformer provided the wattage capacity of the transformer is enough to support the total Mod-Lite load wattage. BEST PRACTICE: Ensure that the combined total wattage of your Mod-Lite’s does not exceed 90% of the transformer’s capacity.

Additionally, Mod-Lite can be paired with S.R.Smith’s poolLUX Premier controller to enable advanced functionality (expanded color pallet and dimming), as well as, S.R.Smith’s poolLUX Plus2 (Dual Transformer System) which offers independent or combined control of two zones (i.e. pool and water feature).

Mod-Lite MultiWhite models are only compatible with standard low voltage UL379 transformer system with and without toggle type remote. It is not compatible with the poolLUX Premier system.

S.R.SMITH LIGHTS AND CONTROLS COMPATIBILITY CHART

poolLUX® LIGHTING CONFIGURATION OPTIONS



**TREO
(5W LED)**

**kēlo
(7W LED)**

**micro
(2W LED)**

**Mod-Lite®
(7W LED)**

**Mod-Lite®
Multi-White
(8W LED)**

poolLUX® PREMIER 70W on 10 - 7W circuits	up to 10 lights (1 light per circuit)	up to 10 lights (1 light per circuit)	up to 30 lights (up to 3 lights per circuit)	up to 10 lights (1 light per circuit)	not compatible
poolLUX® PLUS2 120W (dual zone - 60W per zone)	11 lights per zone 11 (x2 zones) = 22 lights	up to 7 lights per zone 7 (x2 zones) = 14 lights	up to 27 lights per zone 27 (x2 zones) = 54 lights	up to 7 lights per zone 7 (x2 zones) = 14 lights	up to 6 lights per zone 6 (x2 zones) = 12 lights
poolLUX® PLUS and POWER 60W Transformers	up to 11 lights	up to 7 lights	up to 27 lights	up to 7 lights	up to 6 lights
poolLUX® PLUS and POWER 100W Transformers	up to 18 lights	up to 13 lights	up to 45 lights	up to 13 lights	up to 12 lights

poolLUX Kits include 2 or 3 TREO, kēlo or Mod-Lite LED lights; micro LED lights sold separately.

NOTE: Any combination of lights can be used as long as the combined total wattage of the lights does not exceed 90% of the controllers' total capacity.

Q: What other customization options does Mod-Lite include?

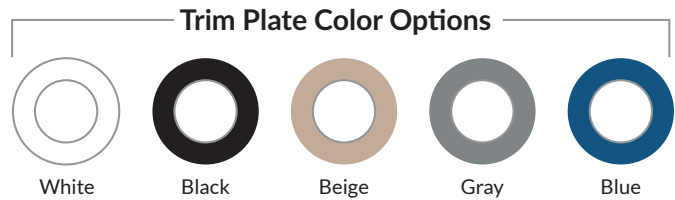
Each Mod-Lite comes with 5 colored trim plates in 2 different shapes (square and round) for a total of 10 options for maximum customization.



Beam



Square



Trim Plate Color Options

White

Black

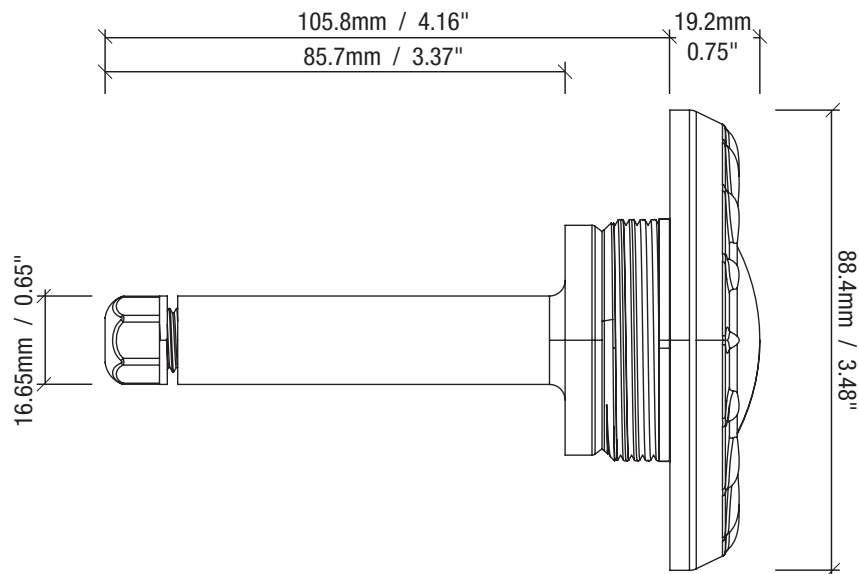
Beige

Gray

Blue

Q: What are the dimensions of the Mod-Lite?

The Mod-Lite was specifically engineered to fit industry standard 1.5" fittings but can accommodate conduit down to 3/4". For complete Mod-Lite dimensions, please refer to the [Mod-Lite Installation Manual](#)



Q: Is there a video that shows how to install the Mod-Lite?

Yes, visit srsmith.com or scan this code to see how easy it is to install Mod-Lite®



CUSTOMER SUPPORT

Q: How do I contact Customer Service?

S.R.Smith is pleased to offer dedicated Lighting Specialists to assist you with anything related to lighting. Contact one of our dedicated Lighting Specialists by phone (800) 824-4387 x-4012 (East) or x-2282 (West) or send an email to **Lighting@srsmith.com**

S.R.Smith Lighting Specialists are available 6:30 a.m. – 5:00 PT / 9:30 a.m. – 8:00 p.m. ET at (800) 824-4387 or email lighting@srsmith.com.

Q: Where can I register my product to make sure I receive important product notifications?

Please visit srsmith.com to register your product. Direct link address:
<https://srsmith.com/en-us/customer-service/product-registration/>

Q: What is the warranty on Mod-Lite?

S.R.Smith offers a three-year parts and one-year labor warranty on Mod-Lite. For detailed warranty information, visit www.srsmith.com/warranty.

Q: How can I file a warranty claim?

In order to file a warranty claim, you will need to have the following information –

- Serial number of your Mod-Lite
- Images of the product issue
- Physical address, phone and email address of Mod-Lite owner

To enable faster review of your claim, please submit online at
<https://srsmith.com/en-us/customer-service/warranty-claim/>

If you need help completing your claim form, please email **warranty@srsmith.com** and one of our Warranty Professionals will assist you.

